



Chipsmall Limited consists of a professional team with an average of over 10 year of expertise in the distribution of electronic components. Based in Hongkong, we have already established firm and mutual-benefit business relationships with customers from,Europe,America and south Asia,supplying obsolete and hard-to-find components to meet their specific needs.

With the principle of “Quality Parts,Customers Priority,Honest Operation,and Considerate Service”,our business mainly focus on the distribution of electronic components. Line cards we deal with include Microchip,ALPS,ROHM,Xilinx,Pulse,ON,Everlight and Freescale. Main products comprise IC,Modules,Potentiometer,IC Socket,Relay,Connector.Our parts cover such applications as commercial,industrial, and automotives areas.

We are looking forward to setting up business relationship with you and hope to provide you with the best service and solution. Let us make a better world for our industry!



Contact us

Tel: +86-755-8981 8866 Fax: +86-755-8427 6832

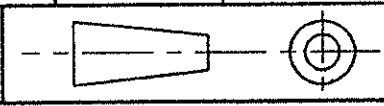
Email & Skype: info@chipsmall.com Web: www.chipsmall.com

Address: A1208, Overseas Decoration Building, #122 Zhenhua RD., Futian, Shenzhen, China

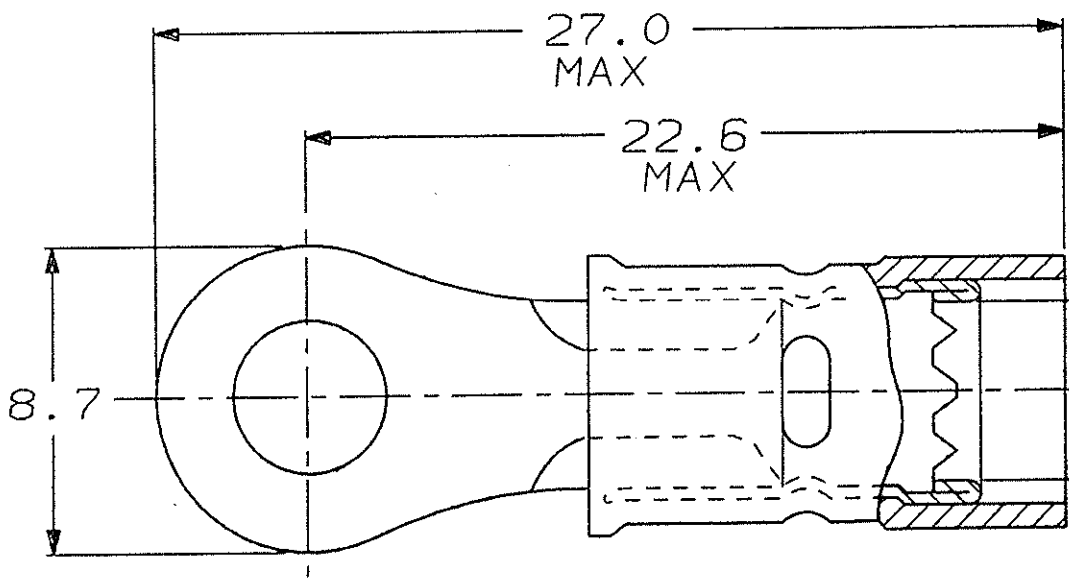


DO NOT SCALE

DIMENSIONS IN MM.




C.A.D. FILE CODE
5. C342062.2



- 1. WIRE INSUL DIA 3.81-6.35
- 2. TONGUE MAT'L THICKNESS 1.07 MAX

B

A

| | | | | | | | | | |
|------------------------------------|-----------|-----------------|----------|--|-----|------|--|-----|----------------|
| CUSTOMER DWG FOR REFERENCE ONLY | | | | THIS INFORMATION IS CONFIDENTIAL AND IS DISCLOSED TO YOU ON CONDITION THAT NO FURTHER DISCLOSURE IS MADE BY YOU TO OTHER THAN AMP PERSONNEL WITHOUT WRITTEN AUTHORIZATION FROM AMP OF GREAT BRITAIN LTD. | | | | | |
| - | - | - | - | TOLERANCES UNLESS OTHERWISE STATED : | | | DR. C. NIKER 17/01/95 | | |
| - | - | - | - | DEC ± 0.5 | | | CH. B. WILSON | | APP. B. WILSON |
| - | - | - | - | ANGLES ± 1° | | |  TERMINAL HOUSE STANMORE MIDOX. | | |
| - | - | - | - | NAME 16-14 HD PIDG R/T 5mm STUD | | | | | |
| A | def/m | 063A-0002 04 | 3/04 | SCALE | LOC | SIZE | DWG. No. | REV | SHEET |
| 2 | B. WILSON | EB00-0014-95 | 17/01/95 | NTS | E | A 4 | C342062 | A | 1/1 |
| REV | APPROVED | CHANGE No. | DATE | | | | | | |