



Chipsmall Limited consists of a professional team with an average of over 10 year of expertise in the distribution of electronic components. Based in Hongkong, we have already established firm and mutual-benefit business relationships with customers from,Europe,America and south Asia,supplying obsolete and hard-to-find components to meet their specific needs.

With the principle of “Quality Parts,Customers Priority,Honest Operation,and Considerate Service”,our business mainly focus on the distribution of electronic components. Line cards we deal with include Microchip,ALPS,ROHM,Xilinx,Pulse,ON,Everlight and Freescale. Main products comprise IC,Modules,Potentiometer,IC Socket,Relay,Connector.Our parts cover such applications as commercial,industrial, and automotives areas.

We are looking forward to setting up business relationship with you and hope to provide you with the best service and solution. Let us make a better world for our industry!



Contact us

Tel: +86-755-8981 8866 Fax: +86-755-8427 6832

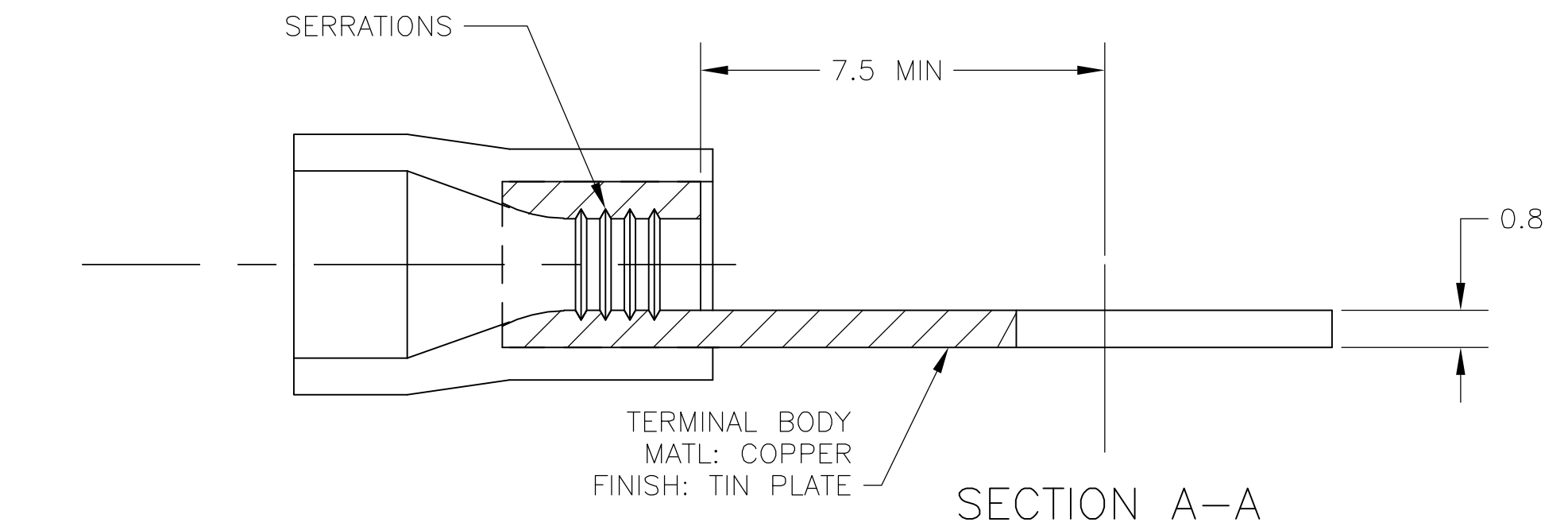
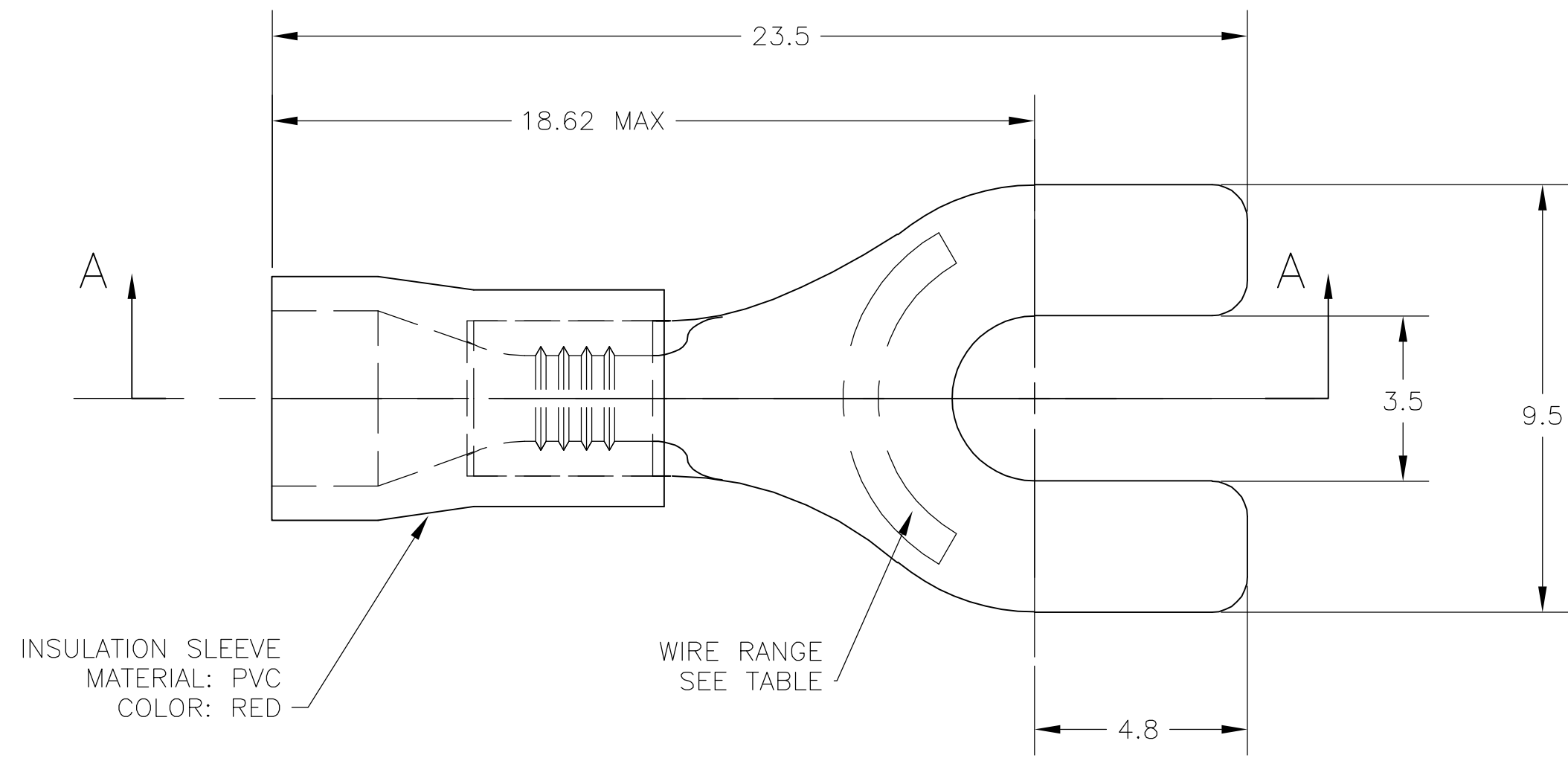
Email & Skype: info@chipsmall.com Web: www.chipsmall.com

Address: A1208, Overseas Decoration Building, #122 Zhenhua RD., Futian, Shenzhen, China



THIS DRAWING IS UNPUBLISHED. RELEASED FOR PUBLICATION
 © COPYRIGHT BY TYCO ELECTRONICS CORPORATION. ALL RIGHTS RESERVED.

LOC	DIST	REVISIONS			
P	LTR	DESCRIPTION	DATE	DWN	APVD
G	02	G2	REV PER ECR-06-001930	13FEB06	HMR TM



- 1 WIRE INSULATION O.D. 2.7-3.6
- 2 SUPERSEDED BY 342117-1

POLY BAG WITH HEADER	STANDARD	100	2	7-342117-1
PLASTIC BOX	STANDARD	100	2	6-342117-1
TAPED MOUNTED	STANDARD	5000		2-342117-1
PLASTIC BAG	STANDARD	1000		342117-1
PACKAGING	LABELLING	QTY RED		PART NO.

THIS DRAWING IS A CONTROLLED DOCUMENT.		DWN jr ruth 07AUG03	Tyco Electronics Corporation Harrisburg, Pa 17105-3608	
DIMENSIONS: INCHES		CHK T MICHIELUTTI 30AUG05		
TOLERANCES UNLESS OTHERWISE SPECIFIED:		APVD T MICHIELUTTI 30AUG05	NAME TERMINAL, SPADE, PLASTI-GRIP, WIRE SIZE: 22-16 AWG	
0 PLC ± - 1 PLC ± 0.5 2 PLC ± - 3 PLC ± - 4 PLC ± - ANGLES ± 1°		PRODUCT SPEC -	SIZE A2	
MATERIAL		APPLICATION SPEC -	CAGE CODE 00779	DRAWING NO 342117
FINISH		WEIGHT -	SCALE 5:1	RESTRICTED TO -
CUSTOMER DRAWING			SHEET 1 OF 1	REV G2