



Chipsmall Limited consists of a professional team with an average of over 10 year of expertise in the distribution of electronic components. Based in Hongkong, we have already established firm and mutual-benefit business relationships with customers from,Europe,America and south Asia,supplying obsolete and hard-to-find components to meet their specific needs.

With the principle of “Quality Parts,Customers Priority,Honest Operation,and Considerate Service”,our business mainly focus on the distribution of electronic components. Line cards we deal with include Microchip,ALPS,ROHM,Xilinx,Pulse,ON,Everlight and Freescale. Main products comprise IC,Modules,Potentiometer,IC Socket,Relay,Connector.Our parts cover such applications as commercial,industrial, and automotives areas.

We are looking forward to setting up business relationship with you and hope to provide you with the best service and solution. Let us make a better world for our industry!



Contact us

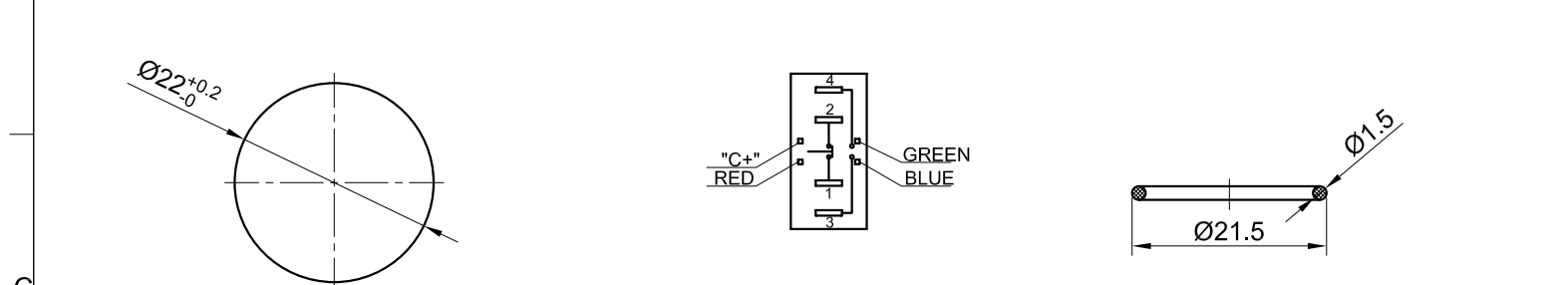
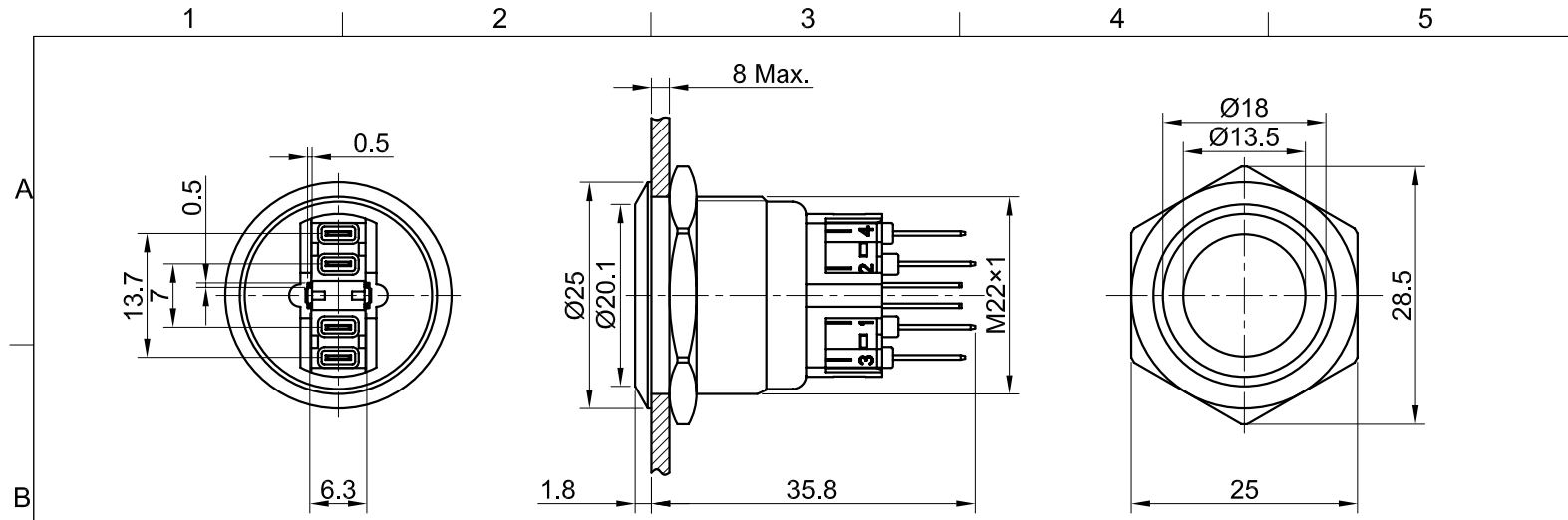
Tel: +86-755-8981 8866 Fax: +86-755-8427 6832

Email & Skype: info@chipsmall.com Web: www.chipsmall.com

Address: A1208, Overseas Decoration Building, #122 Zhenhua RD., Futian, Shenzhen, China



REV. 更改	DESCRIPTION 说明	ENG. 修改人	APPROVE 审核



Contact Composition
(1,2 are normal closed(NC); 3,4 are normal opened(NO).)

Seal Ring

SPECIFICATIONS:

- 1.Max.Switch Rating: Ith:5A Ui: 250VAC.
- 2.Electrical Life: ≥50,000cycles.
- 3.Contact Resistance: ≤50mΩ.
- 4.Insulation Resistance: ≥1,000MΩ.
- 5.Dielectric Strength: 2,000V RMS 50Hz.
- 6.Operating Temperature: -25℃ ~ +55℃.
- 7.IP Class: IP65(Momentary:IP67 Made to order),IK10.
- 8.Torque: 1Nm Max.applied to nut.
- 9.Operating Force: About 4N.
- 10.Operation Mode: Momentary type.
- 11.Contact Configuration: 1NO1NC.
- 12.Ring Illuminated.LED Color:Red and Green and Blue.
- 13.LED Rated Voltage:5V.
- 14.The Front Shape : Flat Round.
- 15.Terminal Type: Pin Terminal(2.8 x 0.5mm).
- 16.Operation mode: Momentary.

MATERIALS:

- 1.Button: Stainless steel.
- 2.Contact: Silver alloy.
- 3.Body: Stainless steel.
- 4.Base: PA.

Part Number: PM221-11E/42RGB/12V/S

DIMENSIONS		TOLERANCE		SCALE		UNIT		USED 用途		APPD 审核	
0.00 TO 30.00mm		±0.20mm		比例 1.2 / 1		mm		CH		2017/02/17	
30.01 TO 80.00mm		±0.25mm		DR.		制图		CHKD 校对		CKL 2017/02/17	
80.01 TO 150.00mm		±0.30mm		TITLE		名称		DR.		HMJ 2017/02/17	
150.01 ↑		±0.40mm		Anti-vandal ring illuminated		push button switch		DR.		HMJ 2017/02/17	
MATERIAL		DWG NO. 图号		SIZE 图纸		A4		FILE NAME 档案名称		SHEET 张	
								1 / 1		REV. 更改	
										1	