



Chipsmall Limited consists of a professional team with an average of over 10 year of expertise in the distribution of electronic components. Based in Hongkong, we have already established firm and mutual-benefit business relationships with customers from,Europe,America and south Asia,supplying obsolete and hard-to-find components to meet their specific needs.

With the principle of “Quality Parts,Customers Priority,Honest Operation,and Considerate Service”,our business mainly focus on the distribution of electronic components. Line cards we deal with include Microchip,ALPS,ROHM,Xilinx,Pulse,ON,Everlight and Freescale. Main products comprise IC,Modules,Potentiometer,IC Socket,Relay,Connector.Our parts cover such applications as commercial,industrial, and automotives areas.

We are looking forward to setting up business relationship with you and hope to provide you with the best service and solution. Let us make a better world for our industry!



Contact us

Tel: +86-755-8981 8866 Fax: +86-755-8427 6832

Email & Skype: info@chipsmall.com Web: www.chipsmall.com

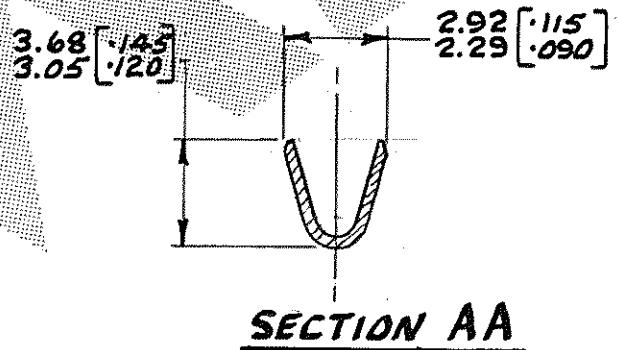
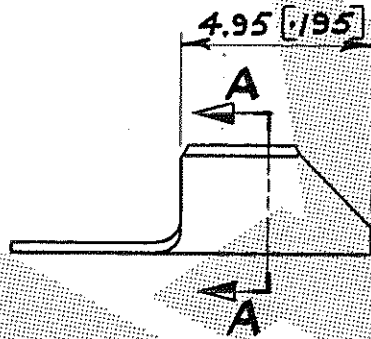
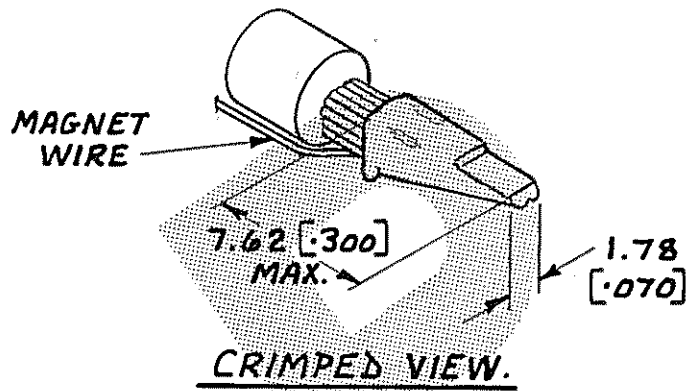
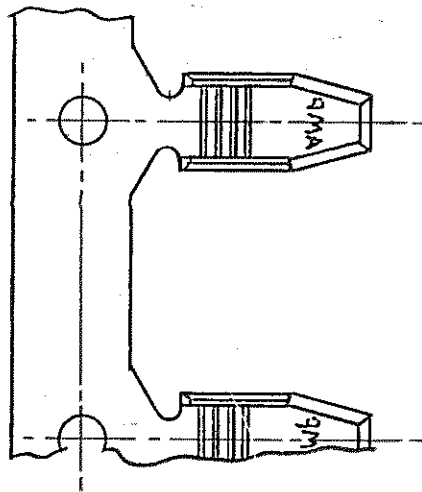
Address: A1208, Overseas Decoration Building, #122 Zhenhua RD., Futian, Shenzhen, China



NUMBER C-342384

3rd ANGLE (AMERICAN) PROJECTION

DIMENSIONS IN M/M DO NOT SCALE PRINT
 DIMENSIONS THUS [] IN INCHES



NOTES :-

1. - WIRE RANGE - TINNED LEAD WIRE 255-1855 CMA; COPPER LEAD WIRE 1250-1850 CMA.
2. - APPLICABLE WIRE SIZES 26-18 AWG STRANDED WITH 40-26 AWG COPPER MAGNET.
3. - PRE-STRIPPING OF THE MAGNET WIRE IS NOT REQUIRED.

342384 - 2	BRASS	ELECTRO-TIN
342384 - 1	BRASS	NONE
PART No.	MATERIAL	FINISH
		CUSTOMER COPY REFERENCE ONLY
MATERIAL AND FINISH 0.33 [0.013] STOCK SEE TABLE		TE Connectivity
WIRE - RANGE - INSULATION 200 - 2000 CMA. -		CLASS
TOLERANCE EXCEPT AS NOTED ± 0.5 [0.020] $\pm 1^\circ 0'$		TYPE
SCALE 5:1		LOC E A NO C-342384
NAME MINIATURE AMPLIVAR SPLICE		Rev. A

A	FIRST ISSUE	J.C.	31.3.82
ISS	REVISION RECORD	DR	CHK
DR	J.CREW. 3/13/82	DE	
CHK	[Signature] 1/4/82	APP	

PRINT DIST.