



Chipsmall Limited consists of a professional team with an average of over 10 year of expertise in the distribution of electronic components. Based in Hongkong, we have already established firm and mutual-benefit business relationships with customers from,Europe,America and south Asia,supplying obsolete and hard-to-find components to meet their specific needs.

With the principle of “Quality Parts,Customers Priority,Honest Operation,and Considerate Service”,our business mainly focus on the distribution of electronic components. Line cards we deal with include Microchip,ALPS,ROHM,Xilinx,Pulse,ON,Everlight and Freescale. Main products comprise IC,Modules,Potentiometer,IC Socket,Relay,Connector.Our parts cover such applications as commercial,industrial, and automotives areas.

We are looking forward to setting up business relationship with you and hope to provide you with the best service and solution. Let us make a better world for our industry!



Contact us

Tel: +86-755-8981 8866 Fax: +86-755-8427 6832

Email & Skype: info@chipsmall.com Web: www.chipsmall.com

Address: A1208, Overseas Decoration Building, #122 Zhenhua RD., Futian, Shenzhen, China

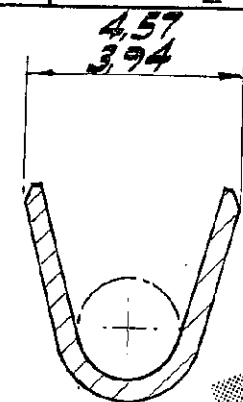
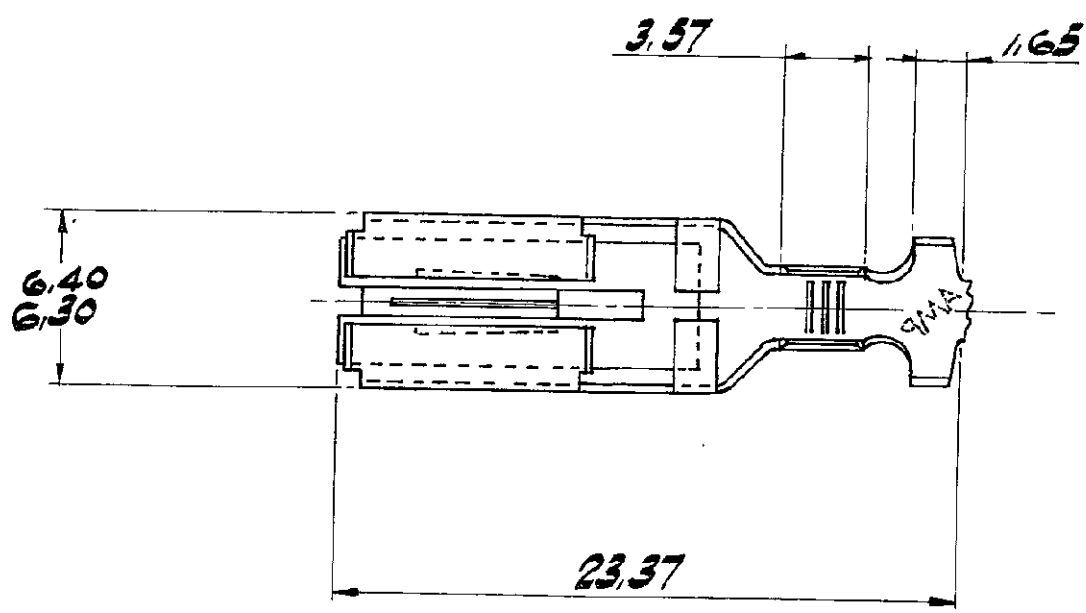


NUMBER
C342414

3rd ANGLE (AMERICAN) PROJECTION

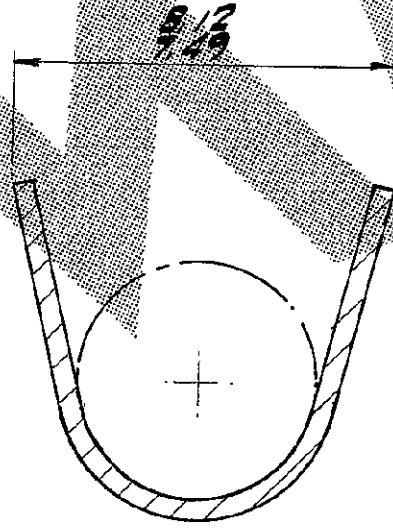
METRIC

DIMENSIONS IN M.M DO NOT SCALE PRINT



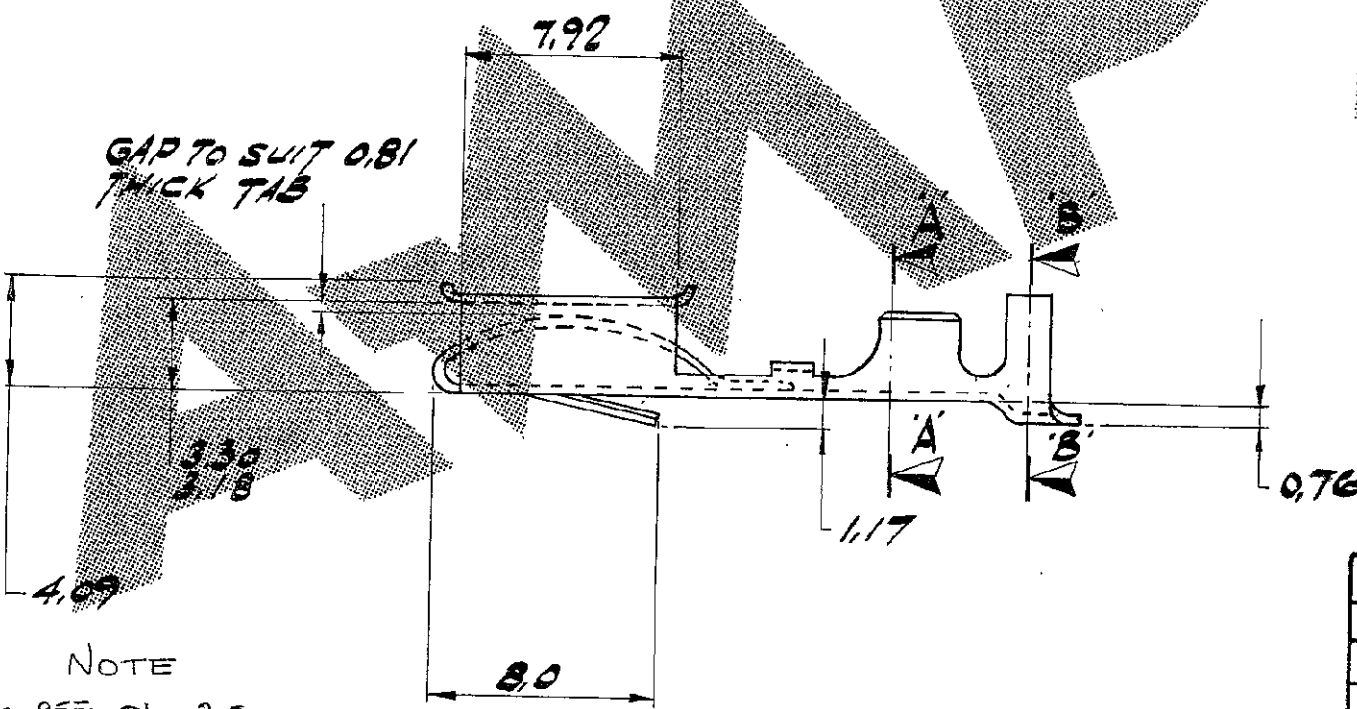
SECTION A-A

N.T.S.



SECTION B-B

N.T.S.



342875-4	342414-4	PHOS. BRONZE	PRE-TIN
342875-3	342414-3	PHOS. BRONZE	NONE
342875-2	342414-2	BRASS	PRE-TIN
342875-1	342414-1	BRASS	NONE
L.P. PART NO	STRIP PART NO	MATERIAL	FINISH

NOTE
REEL QTY. 2.5M

© AMP of GREAT BRITAIN LTD 1982				CUSTOMER COPY REFERENCE ONLY			
E SEE ECN ER00-0159-00 R.11		10-3-80		MATERIAL AND FINISH 0.40THICK STOCK		AMP of Great Britain Ltd. TERMINAL HOUSE, STANMORE, MIDD.	
3 L.P. NOS ADDED MW		6-3-85		SEE TABLE.		CLASS	
2 3.0-5.3mm ² WAS 12-10 SET AMP LOGO AT 4.5°		J.C. 11.2.83		WIRE - RANGE - INSULATION 3.0-5.3mm ² 33-49		TYPE	
1 FIRST DRAWN C.S.		15.6.82		TOLERANCE EXCEPT AS NOTED ± 0.5 ± 1° 0'		SCALE 4:1	
ISS REVISION RECORD		DR CHK DATE		LOC E B		NO C342414	
DR SLOUGH 6/6/82		DE [Signature] 7.9.82		NAME RECEPTACLE			