



Chipsmall Limited consists of a professional team with an average of over 10 year of expertise in the distribution of electronic components. Based in Hongkong, we have already established firm and mutual-benefit business relationships with customers from,Europe,America and south Asia,supplying obsolete and hard-to-find components to meet their specific needs.

With the principle of “Quality Parts,Customers Priority,Honest Operation,and Considerate Service”,our business mainly focus on the distribution of electronic components. Line cards we deal with include Microchip,ALPS,ROHM,Xilinx,Pulse,ON,Everlight and Freescale. Main products comprise IC,Modules,Potentiometer,IC Socket,Relay,Connector.Our parts cover such applications as commercial,industrial, and automotives areas.

We are looking forward to setting up business relationship with you and hope to provide you with the best service and solution. Let us make a better world for our industry!



Contact us

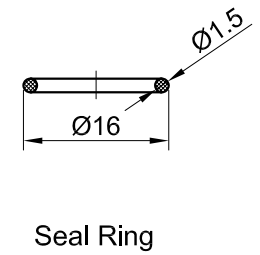
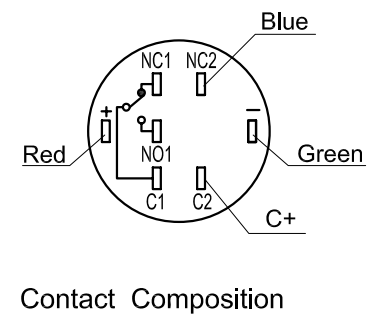
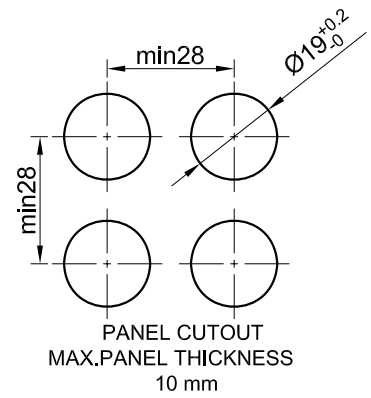
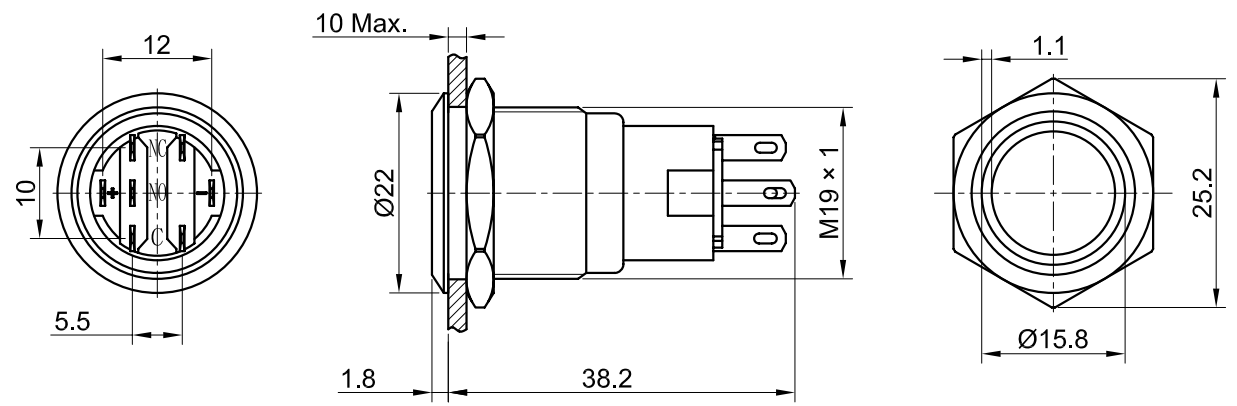
Tel: +86-755-8981 8866 Fax: +86-755-8427 6832

Email & Skype: info@chipsmall.com Web: www.chipsmall.com

Address: A1208, Overseas Decoration Building, #122 Zhenhua RD., Futian, Shenzhen, China



REV. 更改	DESCRIPTION 说明	ENG. 修改人	APPROVE 审核



SPECIFICATIONS:

- 1.Max.Switch Rating: Ith:5A Ui: 250VAC.
- 2.Rating: 0.5A 220VAC.
- 3.Electrical Life: $\geq 50,000$ cycles.
- 4.Contact Resistance: $\leq 50\text{m}\Omega$.
- 5.Insulation Resistance: $\geq 1,000\text{M}\Omega$.
- 6.Dielectric Strength: 2,000VAC.
- 7.Operating Temperature: $-25^{\circ}\text{C} \sim +55^{\circ}\text{C}$ (No Freezing).
- 8.IP Class: IP67.
- 9.Operating Force: About 2N.
- 10.Contact Composition:1NO1NC.
- 11.Torque: 0.8Nm max.applied to nut.
- 12.Ring illuminated.
- 13.LED Color:Red Green Blue.
- 14.LED Voltage:12V.
- 15.Operation mode:Momentary

MATERIALS:

- 1.Contact: Silver alloy.
- 2.Button: Stainless Steel.
- 3.Body: Stainless Steel.
- 4.Base: PBT.

Part Number: PM192- 11E / 42RGB / 12V / S

DIMENSIONS		TOLERANCE		SCALE		UNIT		DR.	
0.00 TO 30.00mm		$\pm 0.20\text{mm}$		比例 1.2 / 1		单位 mm		制图 HMJ 2017/02/17	
30.01 TO 80.00mm		$\pm 0.25\text{mm}$		名称 Anti-vandal metal push button		图号		SIZE 图纸 A4	
80.01 TO 150.00mm		$\pm 0.30\text{mm}$							
150.01 ↑		$\pm 0.40\text{mm}$		FILE NAME		SHEET		REV.	
MATERIAL		DWG NO.		档案名称		张		更改	
		图号				1 / 1		1	