



Chipsmall Limited consists of a professional team with an average of over 10 year of expertise in the distribution of electronic components. Based in Hongkong, we have already established firm and mutual-benefit business relationships with customers from,Europe,America and south Asia,supplying obsolete and hard-to-find components to meet their specific needs.

With the principle of “Quality Parts,Customers Priority,Honest Operation,and Considerate Service”,our business mainly focus on the distribution of electronic components. Line cards we deal with include Microchip,ALPS,ROHM,Xilinx,Pulse,ON,Everlight and Freescale. Main products comprise IC,Modules,Potentiometer,IC Socket,Relay,Connector.Our parts cover such applications as commercial,industrial, and automotives areas.

We are looking forward to setting up business relationship with you and hope to provide you with the best service and solution. Let us make a better world for our industry!



## Contact us

Tel: +86-755-8981 8866 Fax: +86-755-8427 6832

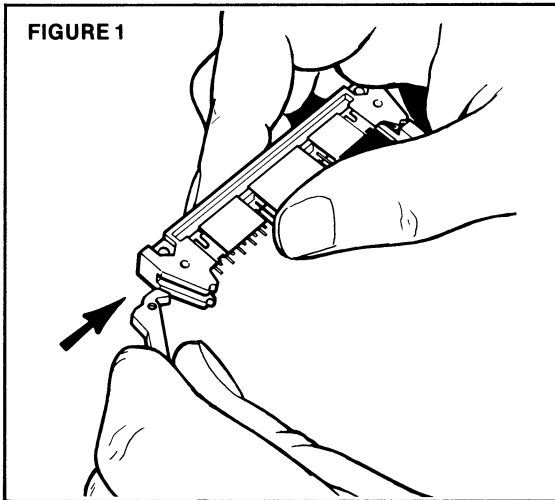
Email & Skype: info@chipsmall.com Web: www.chipsmall.com

Address: A1208, Overseas Decoration Building, #122 Zhenhua RD., Futian, Shenzhen, China

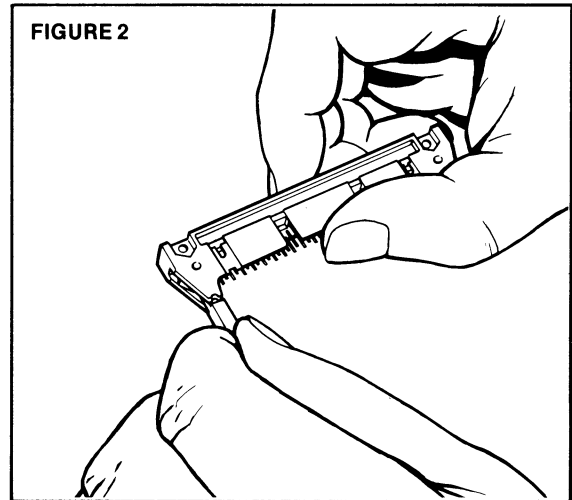


# INSTRUCTIONS FOR THE INSTALLATION OF SOCKET EJECTOR LATCH

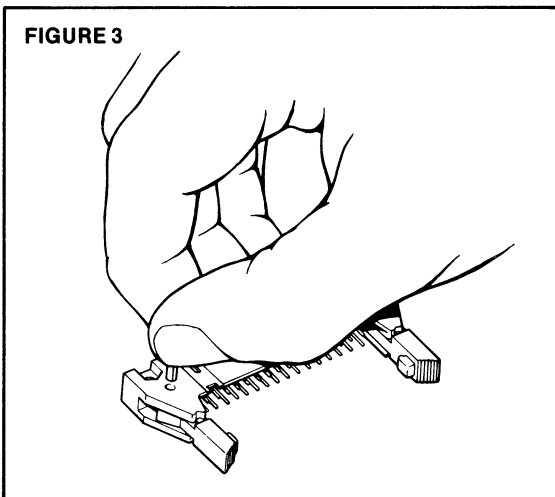
**GENERAL:** Socket ejector latches are available in two lengths. The shorter #3505-2 is used on SCOTCHFLEX headers having a suffix -1202, -1203, -2202, -2203, -3205 and -4205. The longer #3505-3 is used on headers having a suffix -1302, -1303, -2302, -2303, -3305 and -4305.



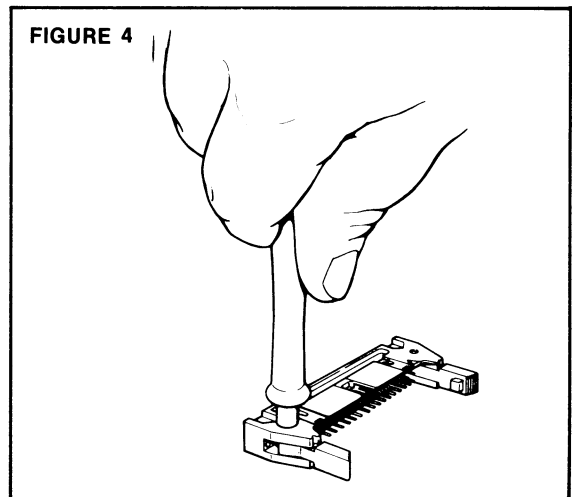
1. Insert socket ejector latch into end of header with ejector foot toward header pins. (Figure 1)



2. Position ejector latch so that knob is seated in header notch. (Figure 2) This will align latch hole with header pivot hole.



3. Place roll pin into header pivot hole, and press in slightly. (Figure 3)



4. With header on a firm surface, locate tip of the 3430-4000 hand tool into roll pin and depress tool firmly. (Figure 4) The pin should be flush with header when fully inserted.