



Chipsmall Limited consists of a professional team with an average of over 10 year of expertise in the distribution of electronic components. Based in Hongkong, we have already established firm and mutual-benefit business relationships with customers from,Europe,America and south Asia,supplying obsolete and hard-to-find components to meet their specific needs.

With the principle of “Quality Parts,Customers Priority,Honest Operation,and Considerate Service”,our business mainly focus on the distribution of electronic components. Line cards we deal with include Microchip,ALPS,ROHM,Xilinx,Pulse,ON,Everlight and Freescale. Main products comprise IC,Modules,Potentiometer,IC Socket,Relay,Connector.Our parts cover such applications as commercial,industrial, and automotives areas.

We are looking forward to setting up business relationship with you and hope to provide you with the best service and solution. Let us make a better world for our industry!



Contact us

Tel: +86-755-8981 8866 Fax: +86-755-8427 6832

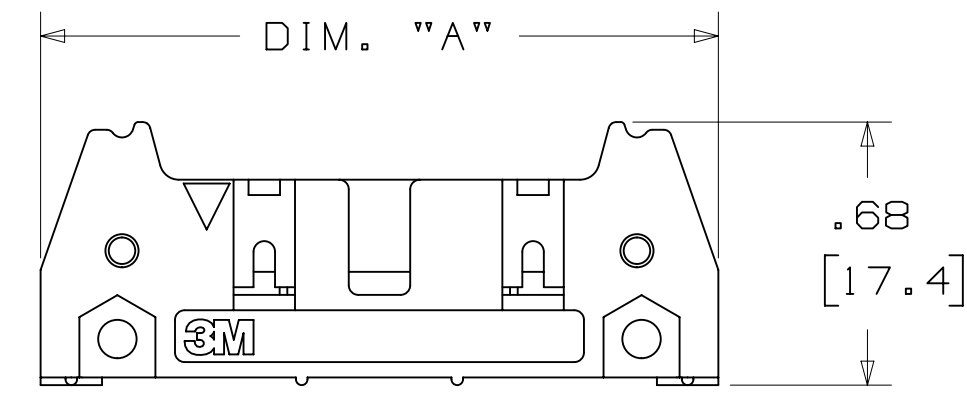
Email & Skype: info@chipsmall.com Web: www.chipsmall.com

Address: A1208, Overseas Decoration Building, #122 Zhenhua RD., Futian, Shenzhen, China

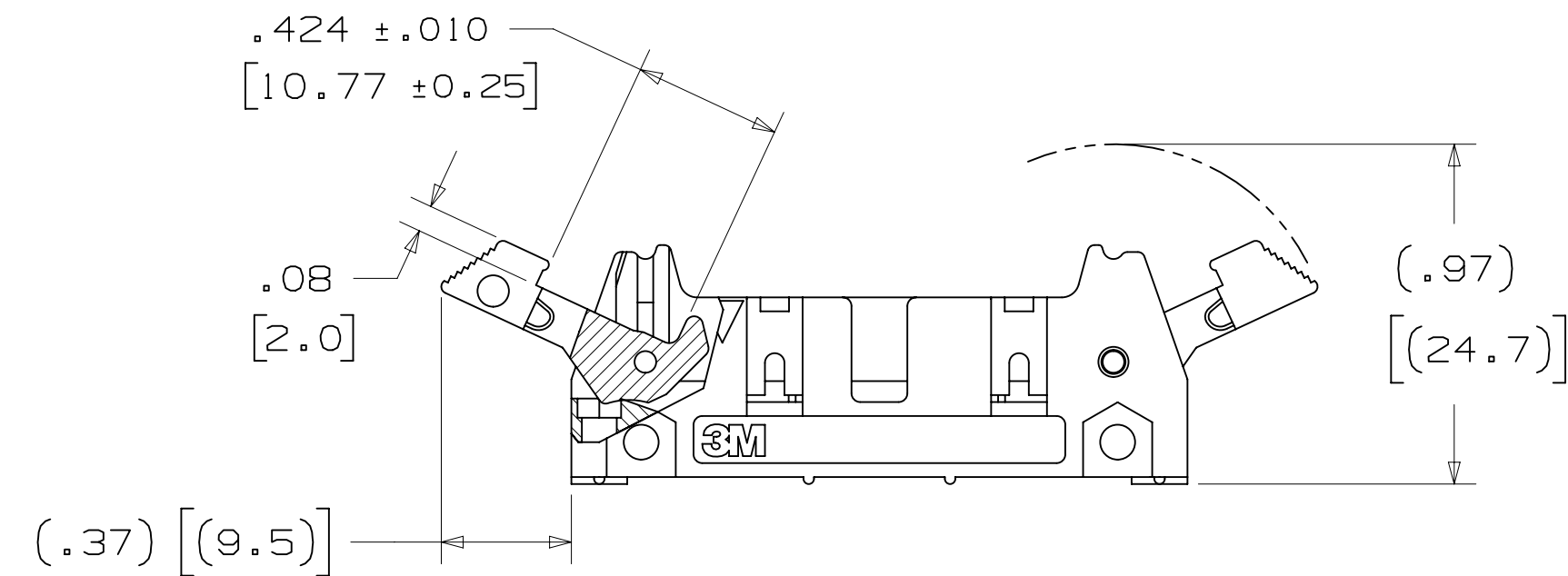


3M™ FOUR-WALL HEADER, 3000 SERIES

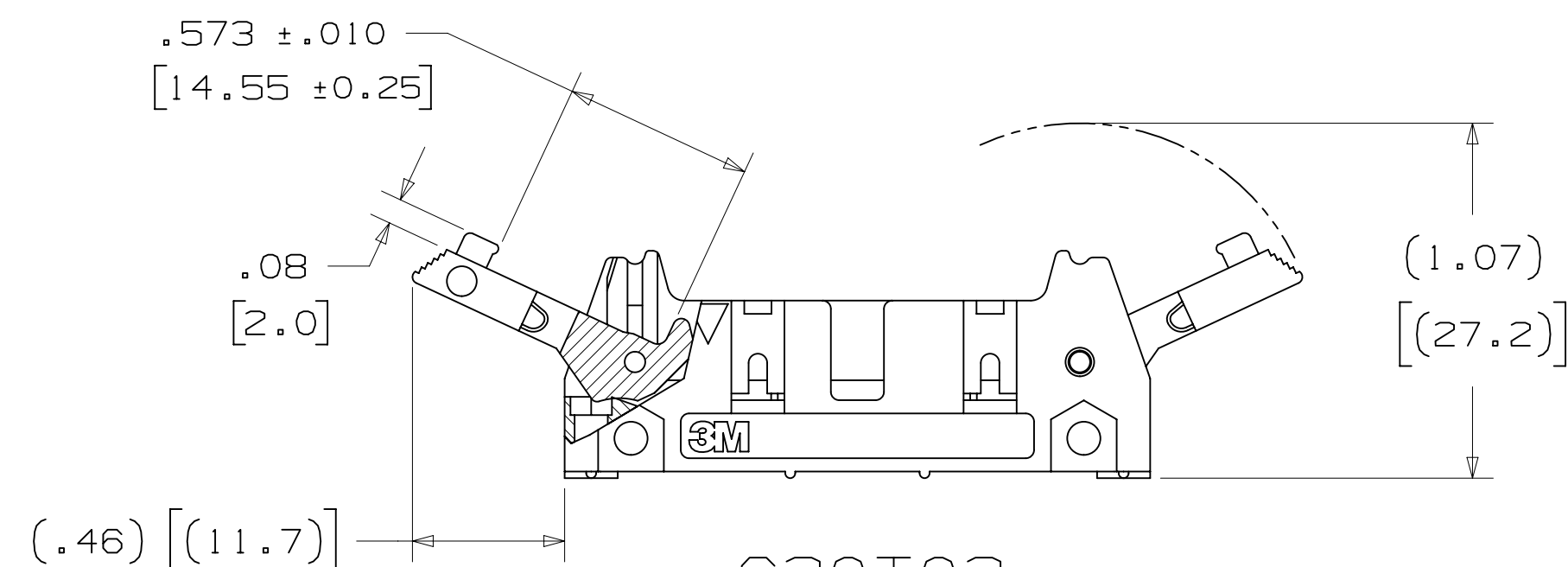
.100" X .100" LATCH/EJECTOR, STRAIGHT, COMPLIANT PIN



-600T02
HEADER WITHOUT LATCH/EJECTOR



-620T02
HEADER WITH SHORT LATCH/EJECTOR
FOR 3M SOCKETS WITHOUT STRAIN RELIEF



-630T02
HEADER WITH LONG LATCH/EJECTOR
FOR 3M SOCKETS WITH STRAIN RELIEF

- * MILITARY (WITH 3M'S N3518 POLARIZING KEY) AND CENTERBUMP POLARIZATION.
- * OPTIONAL EJECTOR LATCHES.
- * MOUNTING HOLES FOR SECURING HEADER TO BOARD.
- * DEPENDABLE EYE-OF-THE-NEEDLE PIN DESIGN.
- * OPTIONAL POLARIZING POSTS AVAILABLE.
- * HIGH TEMPERATURE INSULATOR.

2 PHYSICAL :

INSULATOR: GLASS FILLED POLYESTER (PCT)
 MATERIAL: GLASS FILLED POLYESTER (PCT)
 FLAMMABILITY: UL94V-0
 COLOR: BLACK
 CONTACT: COPPER ALLOY
 MATERIAL: COPPER ALLOY
 PLATING:
 UNDER PLATING: 100μ" [2.54μm] NICKEL
 WIPING AREA: 30μ" [0.76μm] AVG. GOLD
 SOLDER TAILS: 100μ" [2.54μm] TIN LEAD OR 300μ" [7.62μm] MATTE TIN
 (SEE ORDERING INFORMATION)
 MARKINGS: 3M LOGO, PART IDENTIFICATION NUMBER AND ORIENTATION TRIANGLE

2 ELECTRICAL :

CURRENT RATING: 1A
 INSULATION RESISTANCE: >1 X 10⁹Ω AT 500 V_{DC}
 WITHSTANDING VOLTAGE: 1,000V_{RMS} AT SEA LEVEL

2 ENVIRONMENTAL :

TEMPERATURE RATING: -55° C TO 105° C

- NOTES
1. REGULATORY INFORMATION: ROHS COMPLIANT. SEE THE REGULATORY INFORMATION APPENDIX (RIA) IN THE "ROHS COMPLIANCE" SECTION OF WWW.3MCONNECTORS.COM FOR COMPLIANCE INFORMATION.
 2. IN THE EVENT OF CONFLICT BETWEEN THIS DATA AND THAT CONTAINED IN THE PRODUCT SPECIFICATION, THE PRODUCT SPECIFICATION TAKES PRECEDENT.
 3. NOTCHES A & C WILL ACCOMMODATE 3M POLARIZING KEY: N3518.
 4. MOUNTING HARDWARE:
 REAR ENTRY:
 #4-24 THREAD CUTTING SCREW (3M PART #3341-5) WITH Ø.116 [2.95] MOUNTING HOLE.
 FRONT ENTRY:
 (PRIOR TO INSTALLATION OF LATCH)
 #2-56 BOLT AND NUT (3M PART #3341-6) WITH Ø.106 [2.69] MOUNTING HOLE.

ORDERING INFORMATION

X XXXX-6X0T02XX

N= HIGH TEMP BLACK (PCT)/(RB PLATING REQ'D)
 BLANK= (TC PLATING REQUIRED)

3M PART NUMBER:
 (SEE TABLE 1)

PLATING:
 RB = 30μ" [0.76μm] GOLD WITH MATTE TIN TAILS
 (APP. E1 & C1 APPLY)
 TC = 30μ" [0.76μm] GOLD WITH TIN LEAD TAILS
 (APP. E2 & C2 APPLY)

LATCH/EJECTOR SYSTEM:
 0 = NO LATCH/EJECTOR INSTALLED
 2 = SHORT ROLL PIN LATCH/EJECTORS
 3 = LONG ROLL PIN LATCH/EJECTORS

3M ELECTRONIC MATERIALS SOLUTIONS DIVISION
 INTERCONNECT SOLUTIONS
<http://www.3mconnectors.com>

3M IS A TRADEMARK OF 3M COMPANY.
 FOR TECHNICAL, SALES OR ORDERING
 INFORMATION CALL 800-225-5373

3M
 UL FILE NO: E68080

DIMENSIONS: INCHES [MM]
 [MM] IS REF. ONLY

DESIGN REFERENCE	NEXT ASSEMBLY	REV	ECO	ISSUE DATE AND DESCRIPTION	DRFT	CHKD
				JUL 31, 2014	JNC	RS
APPROVED	DATE	DATE	DATE	DATE	DATE	DATE
CASTIGLIONE	JUL 31, 2014	MFG				
CHKD	DATE	APPR	DATE	DATE	DATE	DATE
		R. SCHERER	SEP 05, 2014			
DIVISION	INTERCONNECT SOLUTIONS	DIVISION CODE	EMSD	© 3M COPYRIGHT 2015		
DO NOT SCALE DRAWING	SCALE 2/1	TOLERANCES EXCEPT AS NOTED		This document and the information it contains are 3M property and may not be reproduced or further distributed without 3M permission, or used or disclosed other than for 3M authorized purposes. All rights reserved.		
THIRD ANGLE PROJECTION	INCHES .00 ± .01 .000 ± .005 .0000 ±	MILLIMETERS 0 ± .3 .00 ± .13 .000 ±		TITLE		
INTERPRET PER ASME Y14.5 - 2009				HEADER, 4-WALL, .100 X .100 LATCH/EJECTOR, STR, COMPLIANT PIN		
MAX SURFACE ROUGHNESS	DTX SURFACES	MARKED ONLY	ANGLES	CAGE NUMBER	SIZE	DRAWING NO.
				D	78-5100-0478-7	E
				MODEL	3000 SERIES	DET
					IS1s	YES X NO
					SHT	1 OF 4

78-5100-0478-7
 DRAWING NUMBER
 E
 REVISION
 A
 8:22 AM UTC-06:00
 Imaged: E.4 2/10/2015

3M™ FOUR-WALL HEADER, 3000 SERIES

.100" X .100" LATCH/EJECTOR, STRAIGHT, COMPLIANT PIN

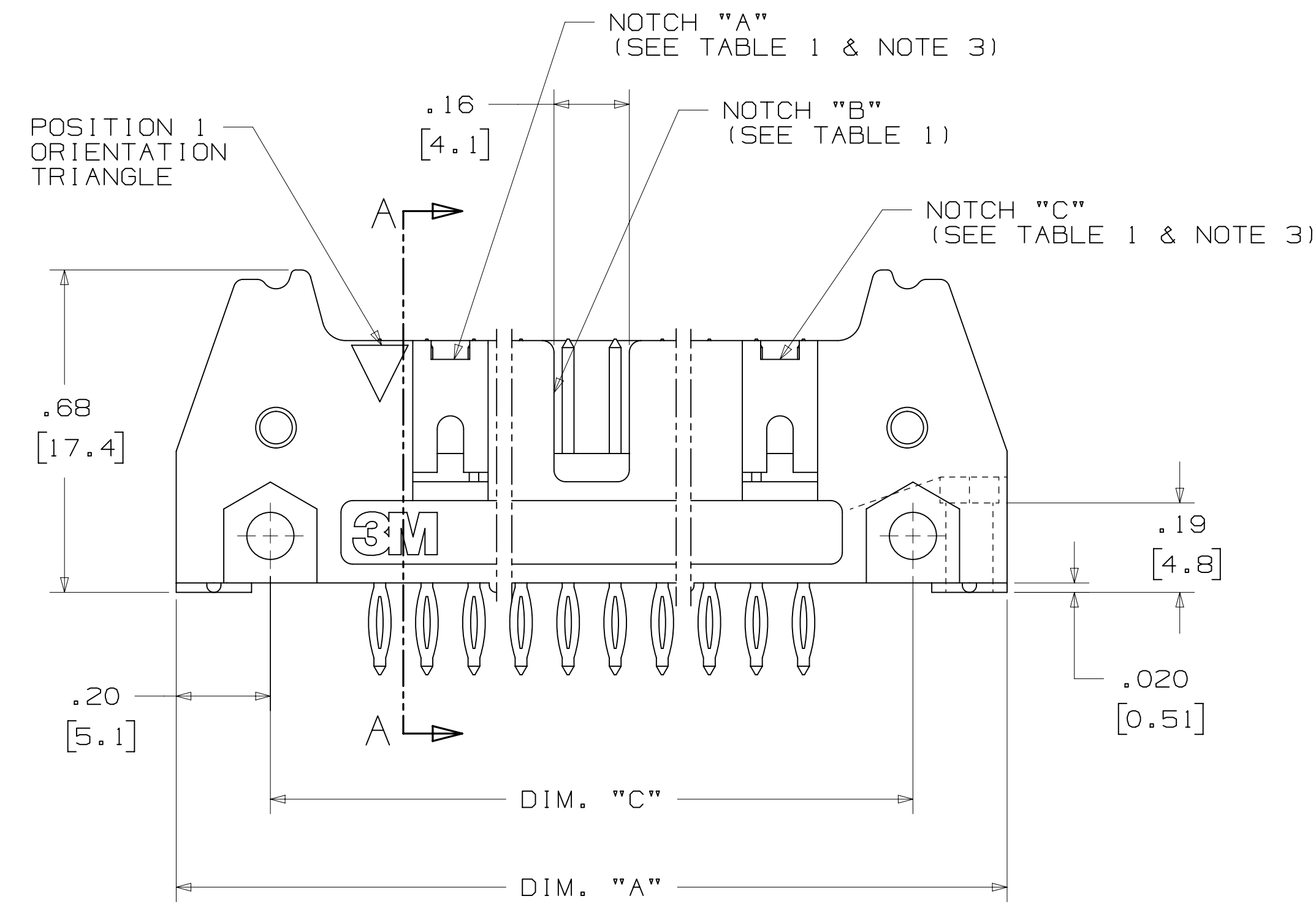
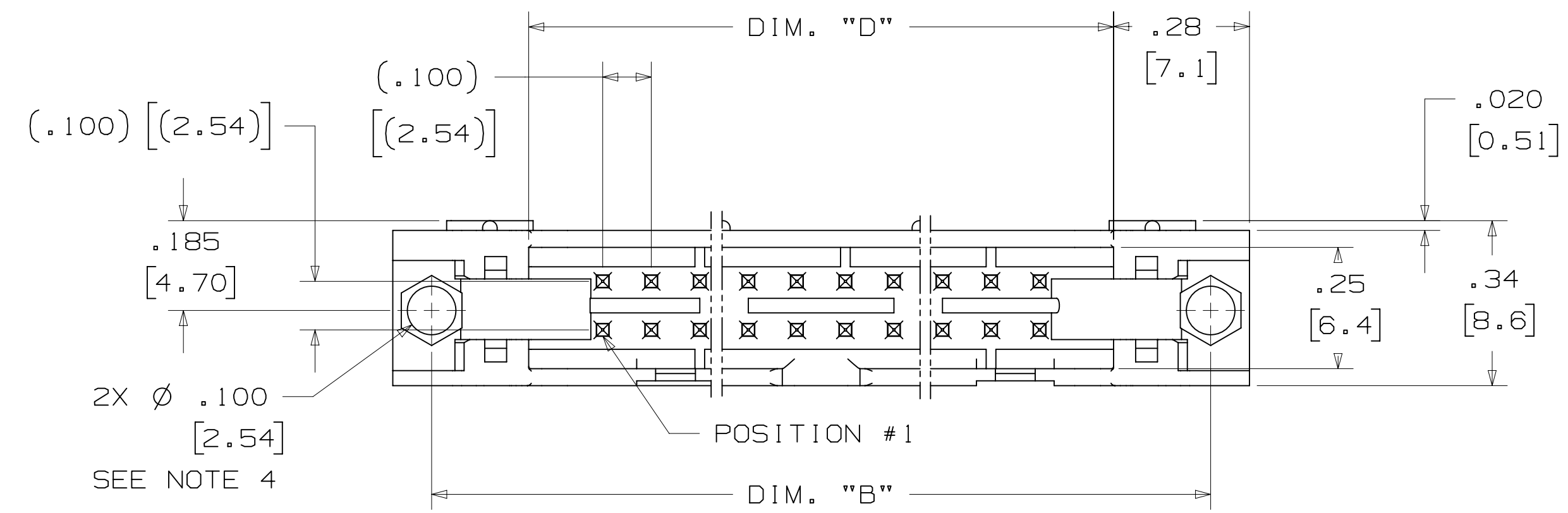
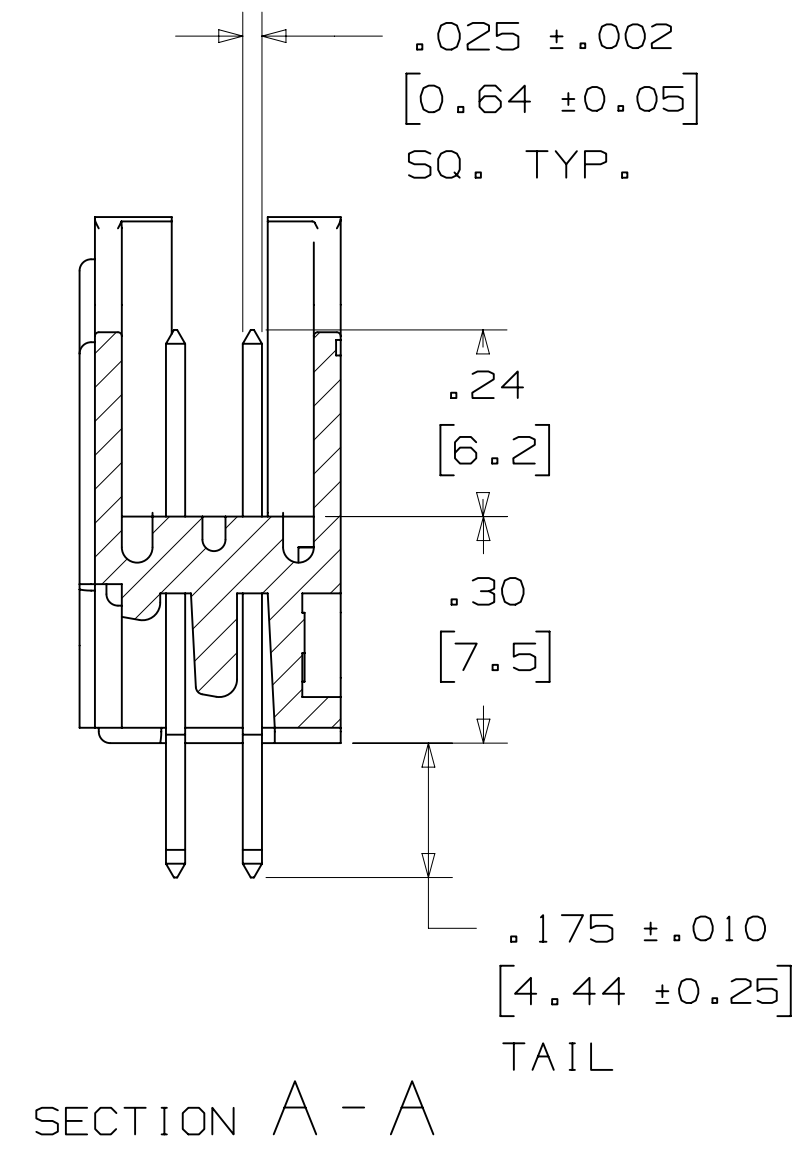


TABLE 1

PIN QTY.	3M PART NUMBER	DIM. "A"	DIM. "B"	DIM. "C"	DIM. "D"	POLARIZING NOTCHES	INSERTION PLATEN 3442-00XX	PIN QTY.
10	3793	1.26 [32.1]	1.105 [28.04]	.865 [21.97]	.71 [18.0]	BC	3442-0048	10
14	3314	1.46 [37.2]	1.305 [33.12]	1.065 [27.05]	.91 [23.1]	BC	3442-0049	14
16	3408	1.56 [39.7]	1.405 [35.66]	1.165 [29.59]	1.01 [25.6]	ABC	3442-0050	16
20	3428	1.76 [44.8]	1.604 [40.74]	1.365 [34.67]	1.21 [30.7]	ABC	3442-0051	20
24	3627	1.96 [49.9]	1.805 [45.82]	1.565 [39.75]	1.41 [35.8]	ABC	3442-0052	24
26	3429	2.06 [52.4]	1.905 [48.36]	1.665 [42.29]	1.51 [38.3]	ABC	3442-0053	26
30	3440	2.26 [57.5]	2.105 [53.44]	1.865 [47.37]	1.71 [43.4]	ABC	3442-0054	30
34	3431	2.46 [62.6]	2.305 [58.52]	2.065 [52.45]	1.91 [48.5]	ABC	3442-0055	34
40	3432	2.76 [70.2]	2.605 [66.14]	2.365 [60.07]	2.21 [56.1]	ABC	3442-0056	40
50	3433	3.26 [82.9]	3.105 [78.84]	2.865 [72.77]	2.71 [68.8]	ABC	3442-0057	50
60	3372	3.76 [95.6]	3.605 [91.54]	3.365 [85.47]	3.21 [81.5]	ABC	3442-0058	60
64	3764	3.96 [100.7]	3.805 [96.62]	3.565 [90.55]	3.41 [86.6]	ABC	3442-0059	64

ASSEMBLY EQUIPMENT:
USE 3442-00XX PLATEN (SEE TABLE #1) AND APPROPRIATE COMMERCIAL ARBOR PRESS TO PRESS HEADER INTO PC BOARD.

DESIGN REFERENCE	NEXT ASSEMBLY	REV	ECO	ISSUE DATE AND DESCRIPTION	DRFT	CHKD
				JUL 31, 2014	JNC	RS
DIVISION		3M Center		St. Paul, MN 55144		
Interconnect Solutions		EMSD		© 3M COPYRIGHT 2015		
DO NOT SCALE DRAWING		SCALE 4/1		TOLERANCES EXCEPT AS NOTED		
THIRD ANGLE PROJECTION		INCHES .00 ± .01		MILLIMETERS 0 ± .005		
INTERPRET PER ASME Y14.5 - 2009		MAX SURFACE ROUGHNESS		.00 ± .13		
SURFACES MARKED ONLY		CAGE NUMBER		D 78-5100-0478-7		
		MODEL		3000 SERIES		
		REV.		E		

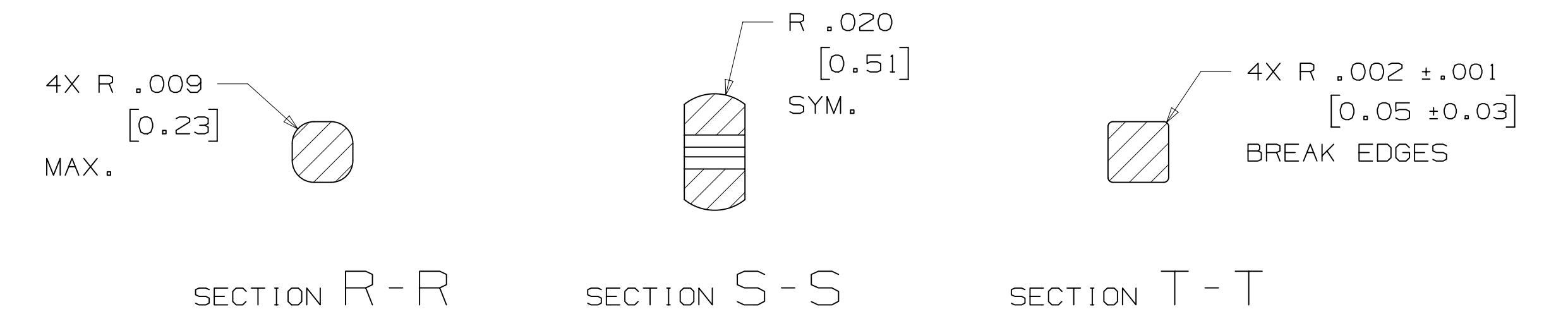
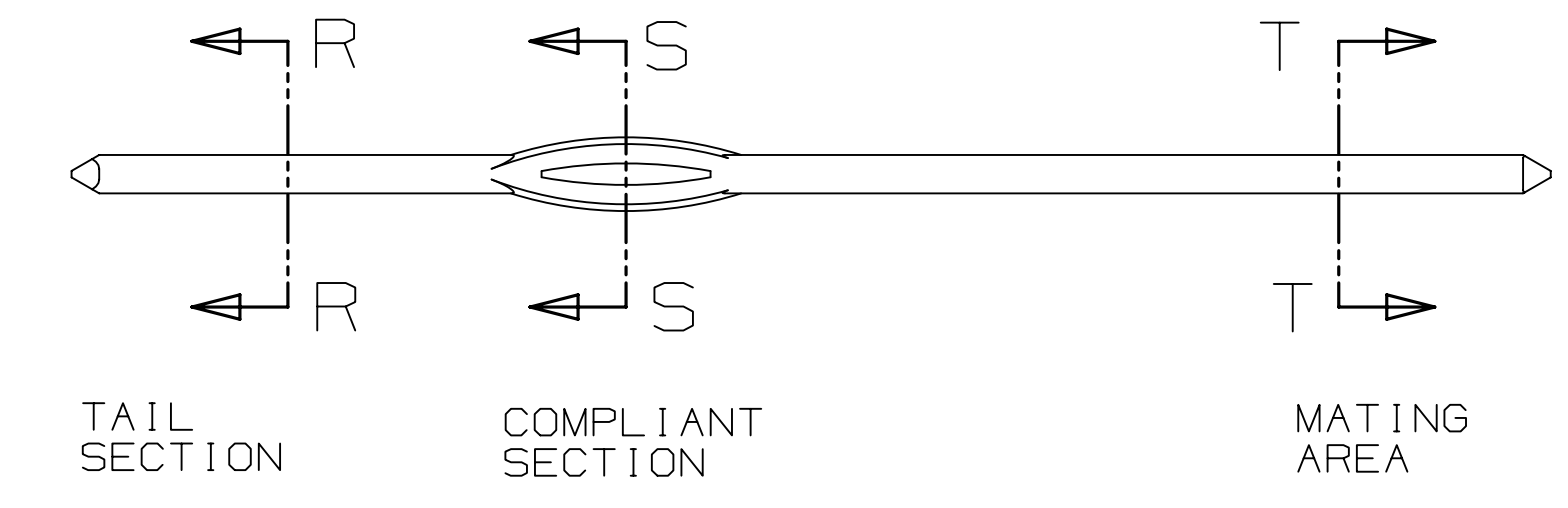
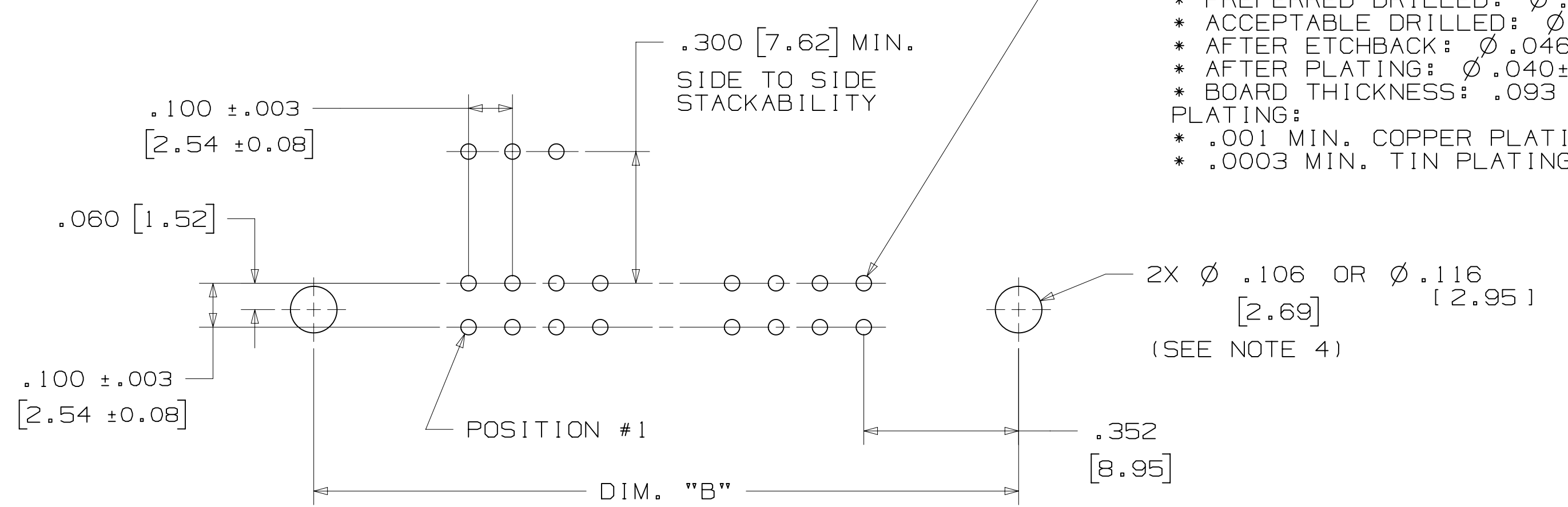
78-5100-0478-7
DRAWING NUMBER
E
REV. DATE
SEP 05, 2014
IMAGED: E.4 2/10/2015 8:22 AM UTC-06:00

3M™ FOUR-WALL HEADER, 3000 SERIES
 .100" X .100" LATCH/EJECTOR, STRAIGHT, COMPLIANT PIN

NOTE:
 PCB HOLE SIZES AND TOLERANCES RECOMMENDED FOR USE WITH 3M'S COMPLIANT PIN HEADER. THE INSERTION FORCE IS DESIGNED NOT TO EXCEED 40 POUNDS PER PIN AND THE WITHDRAWAL FORCE IS NOT LESS THAN 10 POUNDS PER PIN.

HOLE SIZE FOR:
 * PREFERRED DRILLED: $\phi .0453 \pm .0005$
 * ACCEPTABLE DRILLED: $\phi .0453 + .0005 / - .0010$
 * AFTER ETCHBACK: $\phi .0460 \text{ MAX.}$
 * AFTER PLATING: $\phi .040 \pm .003$
 * BOARD THICKNESS: .093 TO .150

PLATING:
 * .001 MIN. COPPER PLATING THICKNESS
 * .0003 MIN. TIN PLATING



RECOMMENDED MOUNTING HOLE PATTERN

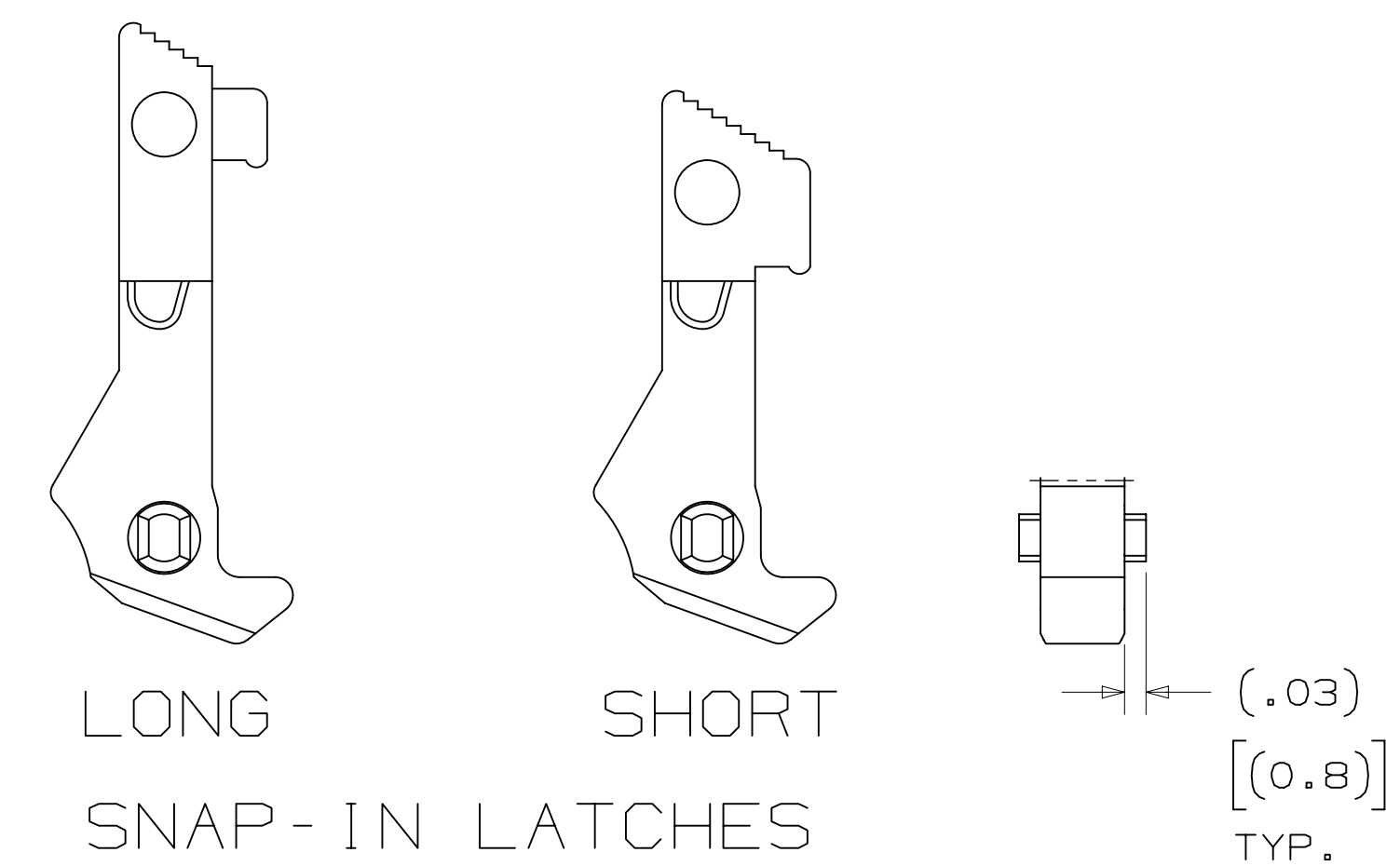
PART CUSTOMIZATION

THIS SPEC SHEET DETAILS OUR STANDARD OFFERING.

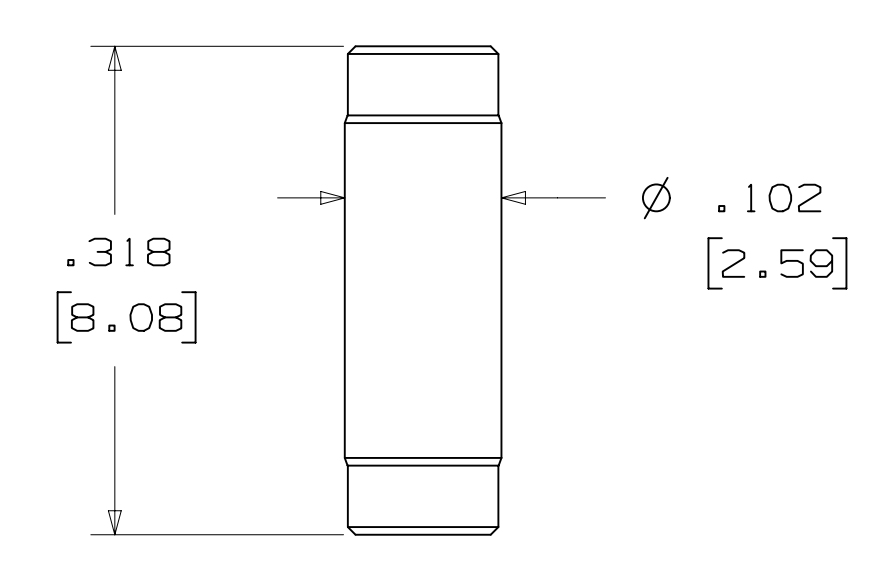
3M HAS SEVERAL CAPABILITIES THAT CAN PROVIDE A PART TAILORED TO YOUR SPECIFIC NEEDS. ASK YOUR 3M SALES REPRESENTATIVE OR CUSTOMER SERVICE FOR MORE DETAILS.

BOTH SNAP-IN AND ROLL PIN LATCHES MAY BE ORDERED SEPARATELY. SNAP-IN AND ROLL PIN STYLE LATCHES ARE DIMENSIONALLY AND FUNCTIONALLY EQUIVALENT. IF ORDERING SNAP-IN OR ROLL PIN STYLE LATCHES SEPARATELY, PLEASE USE THE BELOW CHART.

MATERIAL	SHORT LATCH	LONG LATCH	LATCH STYLE	COLOR
HIGH TEMP. (PCT)	N3505-2B	N3505-3B	ROLL PIN	BLACK
HIGH TEMP (PPA)	N3505-30B	N3505-31B	SNAP-IN	BLACK



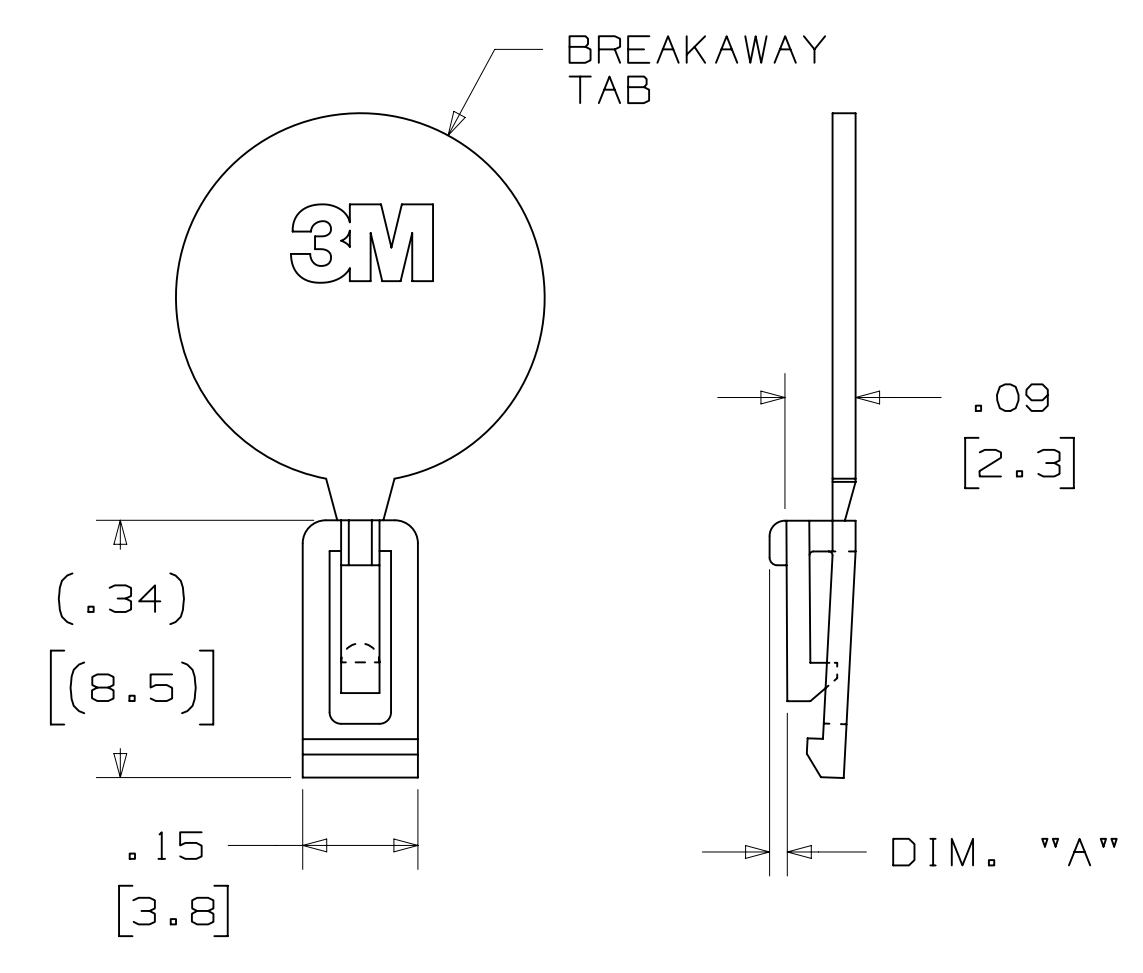
POLARIZING POST



3M PART NO.	MATERIAL	COLOR
3201-4	LCP	BLACK

NOTE:
 INSERT POST INTO ONE MOUNTING HARDWARE HOLE ON BOTTOM OF HEADER. SET POST TO PROTRUDE .115 [2.92]

POLARIZING KEY



3M PART NO.	MATERIAL	COLOR	DIM. "A"
N3518	LCP	BLACK	.02

NOTE:
 #2216 B/A SCOTCHWELD CAN BE USED TO ADHERE KEYS.

NOTE:
 SNAP-IN LATCHES CAN ONLY BE ORDERED SEPARATELY AND ARE THE CUSTOMERS RESPONSIBILITY TO INSTALL.

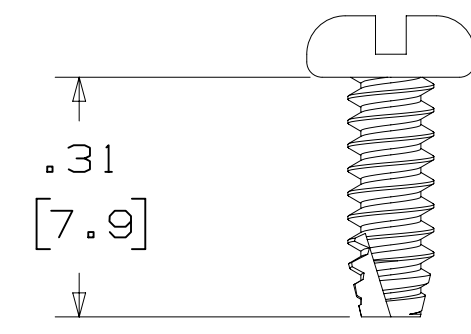
DESIGN REFERENCE	NEXT ASSEMBLY	REV	ECO	ISSUE DATE AND DESCRIPTION	DRFT	CHKD
				JUL 31, 2014	JNC	RS
DIVISION		DIVISION CODE		DATE		
Interconnect Solutions		EMSD		JUL 31, 2014		
DO NOT SCALE DRAWING	SCALE 4/1	TOLERANCES EXCEPT AS NOTED		DATE		
				MFG DATE		
				APPRV DATE		
				R. SCHERER SEP 05, 2014		
THIRD ANGLE PROJECTION		MILLIMETERS		DATE		
INTERPRET PER ASME Y14.5 - 2009		0 ±		SEP 05, 2014		
MAX SURFACE ROUGHNESS		.0 ± .3				
SURFACES		.00 ± .13				
MARKED ONLY		.000 ±				
		ANGLES				
CAGE NUMBER				DRAWING NO.		REV.
D 78-5100-0478-7				E		E
MODEL 3000 SERIES				I/T		SHT 3 OF 4
				YES NO		

178-5100-0478-7
DRAWING NUMBER

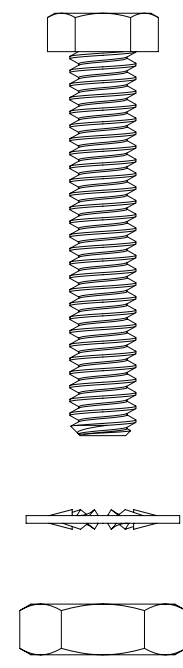
Imaged: E.4 2/10/2015 8:22 AM UTC-06:00

3M™ FOUR-WALL HEADER, 3000 SERIES
 .100" X .100" LATCH/EJECTOR, STRAIGHT, COMPLIANT PIN

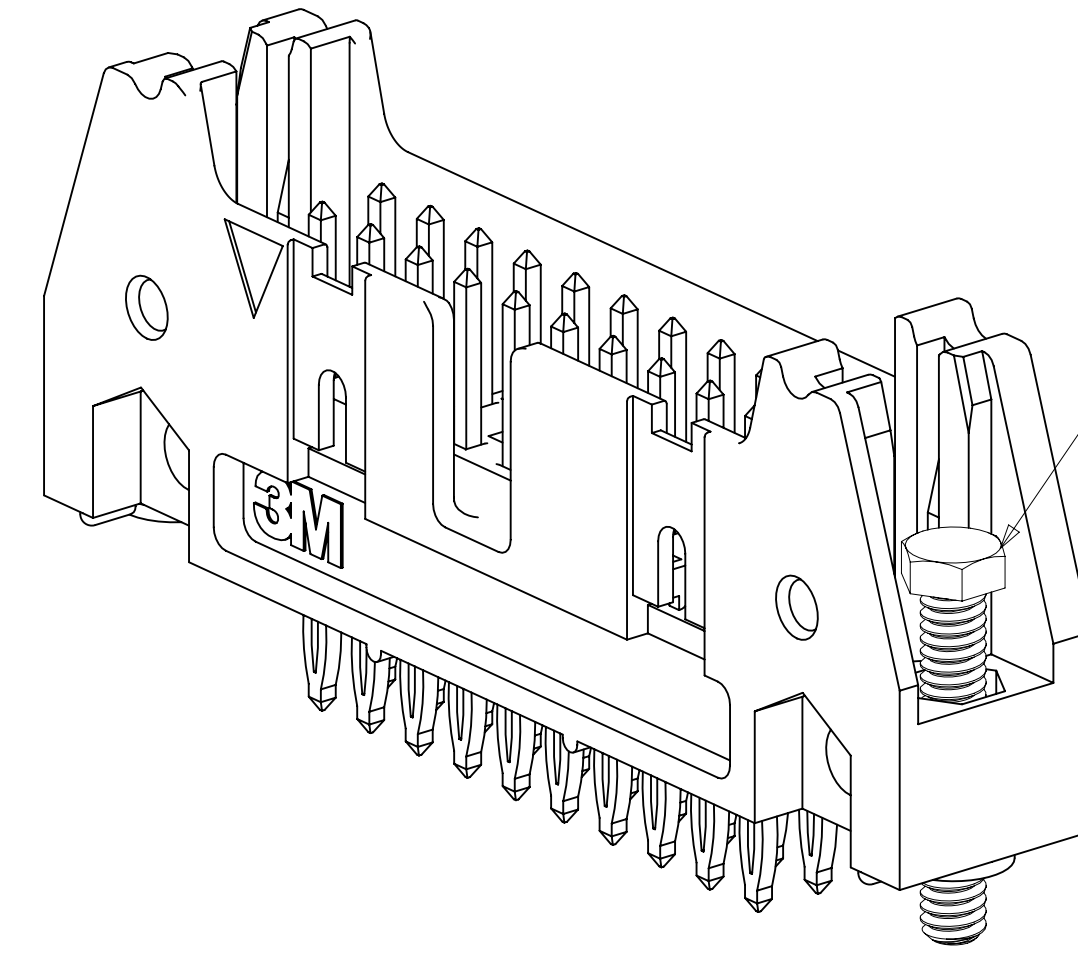
MOUNTING HARDWARE



3341-5
 (INSTALL FROM BOTTOM OF BOARD)
 PANHEAD THREAD CUTTING SCREW:
 #4-24 X 5/16"
 TYPE: USA STD BT, FEDERAL BG
 MATERIAL: STAINLESS STEEL

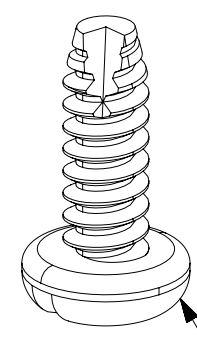
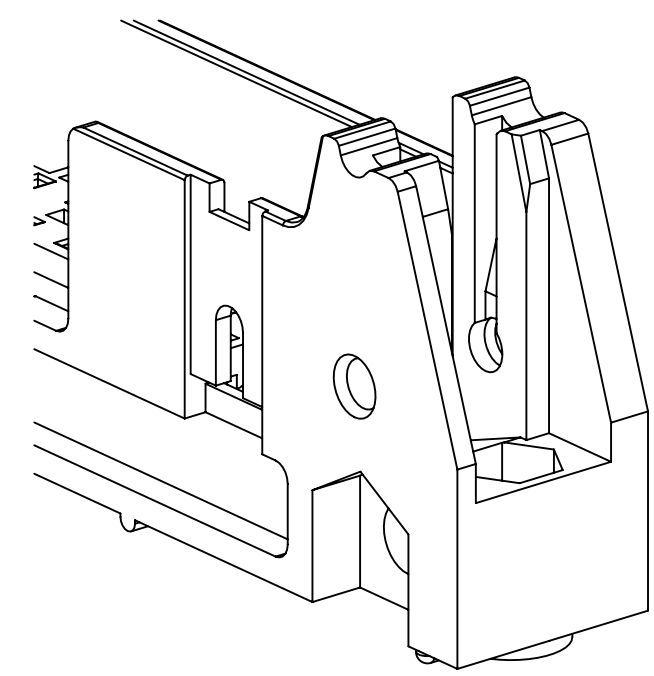


3341-6
 HEX HEAD BOLT, NUT AND WASHER:
 BOLT - #2-56 X 1/2"
 MATERIAL: STAINLESS STEEL



STRAIGHT VERSION INSTALL
 (MUST BE INSERTED PRIOR TO
 LATCH INSTALL)

3341-6
 #2-56 NUT AND BOLT
 TORQUE FOR EACH BOLT: 1.25 - 3.125 INCH LBS.



3341-5
 #4-24 TYPE BT SELF THREADING SCREW
 WHEN USING LATCHES, MAXIMUM LENGTH
 OF SCREW IS .250 INCHES PLUS
 THICKNESS OF THE BOARD.
 TORQUE FOR EACH SCREW IS 3-5 INCH LBS.

DESIGN REFERENCE		NEXT ASSEMBLY		REV	ECO	ISSUE DATE AND DESCRIPTION	DRFT	CHKD
E 56068		JUL 31, 2014		JNC	RS			
DO NOT SCALE DRAWING		SCALE	TOLERANCES EXCEPT AS NOTED	DIVISION: Interconnect Solutions DIVISION CODE: EMSD TITLE: HEADER, 4-WALL, .100 X .100 LATCH/EJECTOR, STR, COMPLIANT PIN CAGE NUMBER: D78-5100-0478-7 MODEL: 3000 SERIES				
THIRD ANGLE PROJECTION		SCALE: 4/1	TOLERANCES EXCEPT AS NOTED	DATE: JUL 31, 2014 DATE: JUL 31, 2014 DATE: SEP 05, 2014 APPROV: R. SCHERER DATE: SEP 05, 2014 © 3M COPYRIGHT 2015 This document and the information it contains are 3M property and may not be reproduced or further distributed without 3M permission, or used or disclosed other than for 3M authorized purposes. All rights reserved.				
INTERPRET PER ASME Y14.5 - 2009		INCHES: .00 ± .01, .000 ± .005, .0000 ±	MILLIMETERS: 0 ±, .0 ± .3, .00 ± .13	MAX SURFACE ROUGHNESS: .13 SURFACES: MARKED ONLY ANGLES:				

78-5100-0478-7 DRAWING NUMBER
 E 56068 REVISION
 8:22 AM UTC-06:00
 2/10/2015