



Chipsmall Limited consists of a professional team with an average of over 10 year of expertise in the distribution of electronic components. Based in Hongkong, we have already established firm and mutual-benefit business relationships with customers from,Europe,America and south Asia,supplying obsolete and hard-to-find components to meet their specific needs.

With the principle of "Quality Parts,Customers Priority,Honest Operation,and Considerate Service",our business mainly focus on the distribution of electronic components. Line cards we deal with include Microchip,ALPS,ROHM,Xilinx,Pulse,ON,Everlight and Freescale. Main products comprise IC,Modules,Potentiometer,IC Socket,Relay,Connector.Our parts cover such applications as commercial,industrial, and automotives areas.

We are looking forward to setting up business relationship with you and hope to provide you with the best service and solution. Let us make a better world for our industry!



Contact us

Tel: +86-755-8981 8866 Fax: +86-755-8427 6832

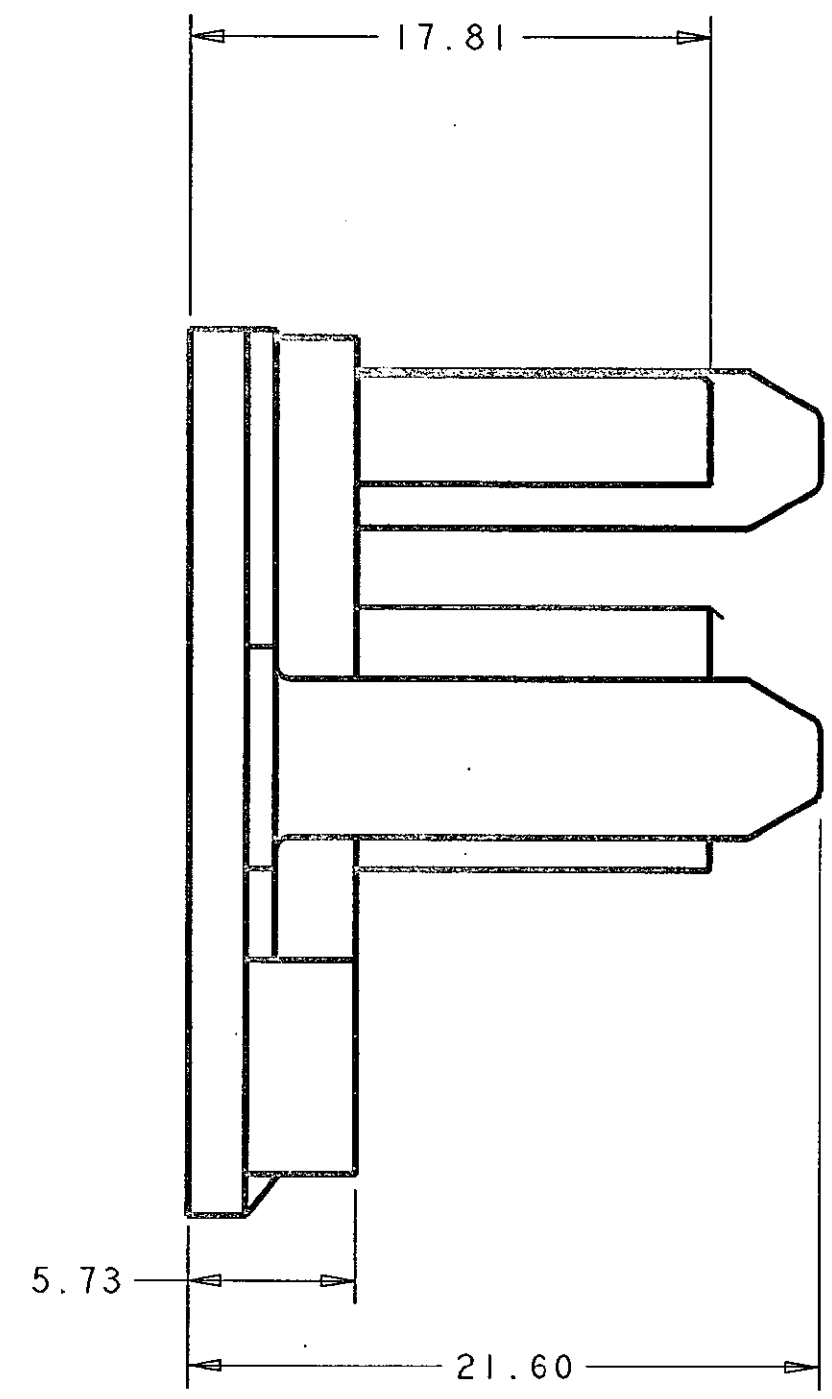
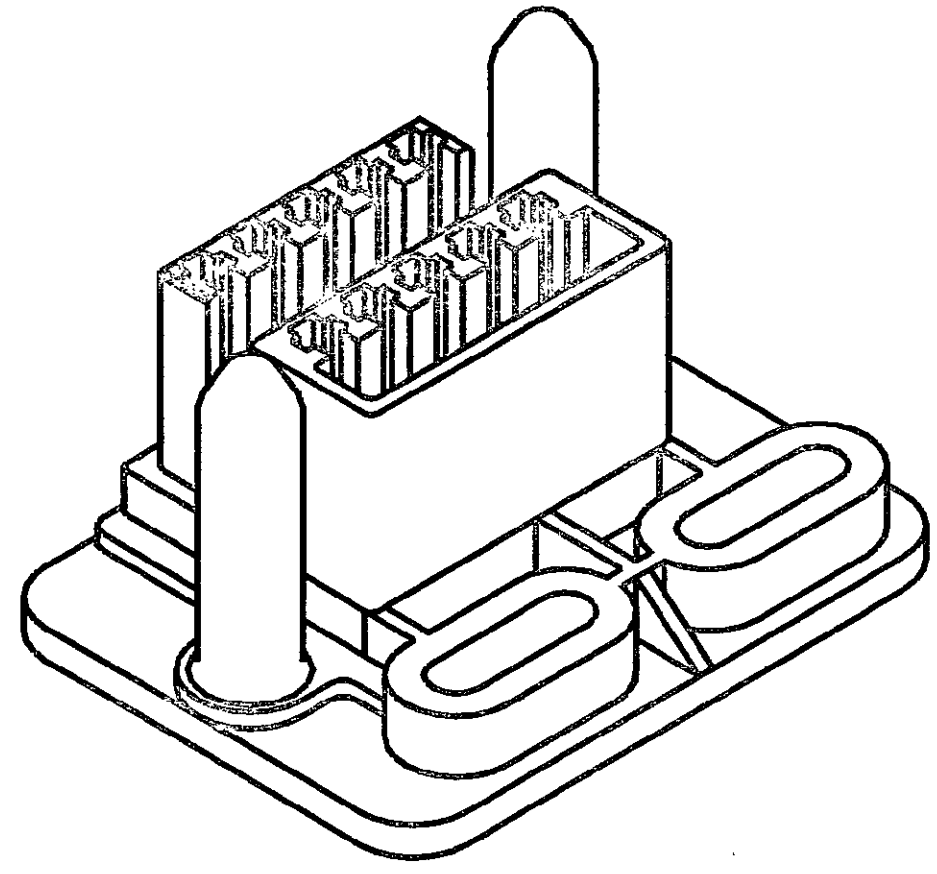
Email & Skype: info@chipsmall.com Web: www.chipsmall.com

Address: A1208, Overseas Decoration Building, #122 Zhenhua RD., Futian, Shenzhen, China

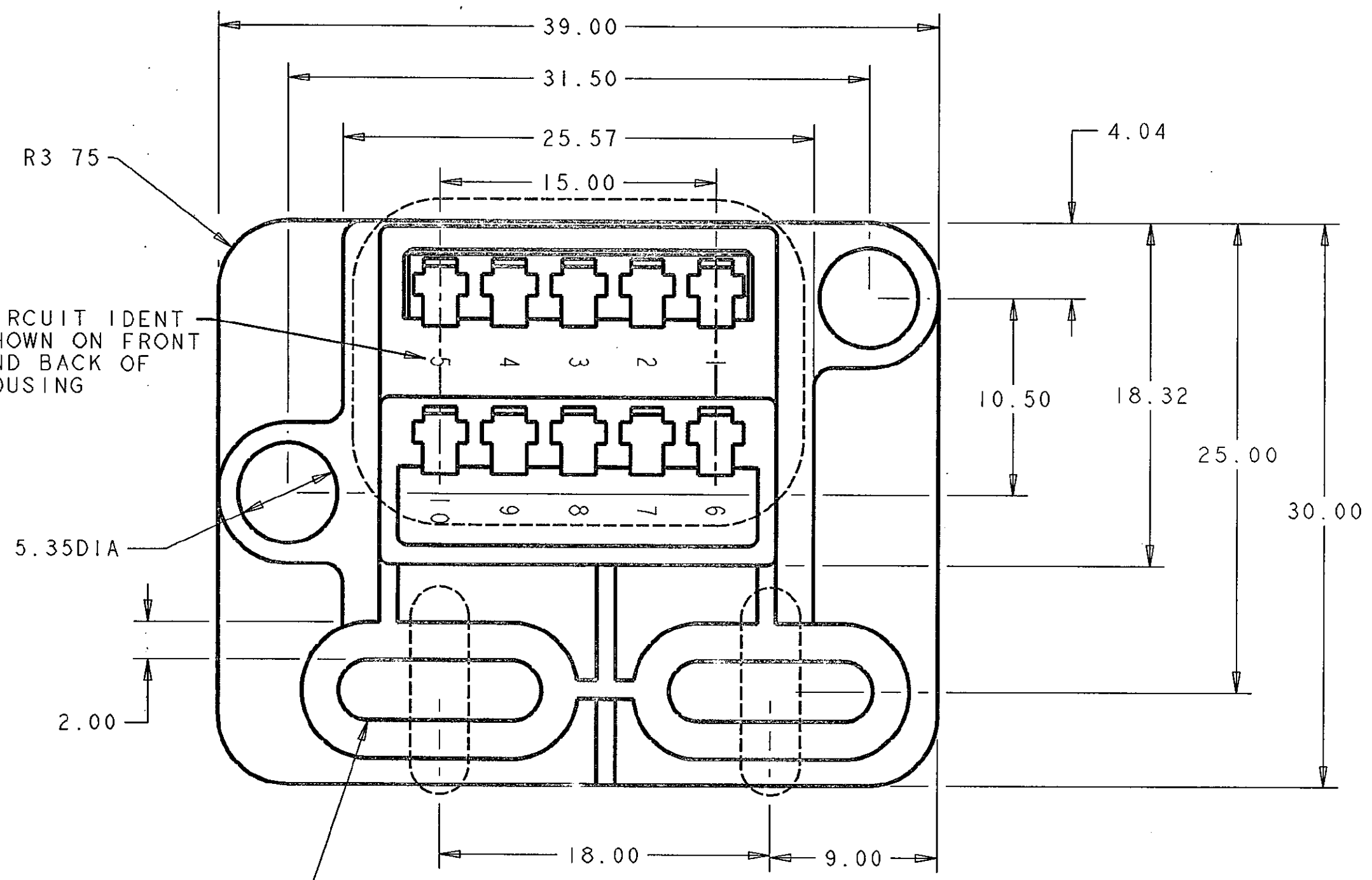


C.A.D. FILE CODE
C343347.A

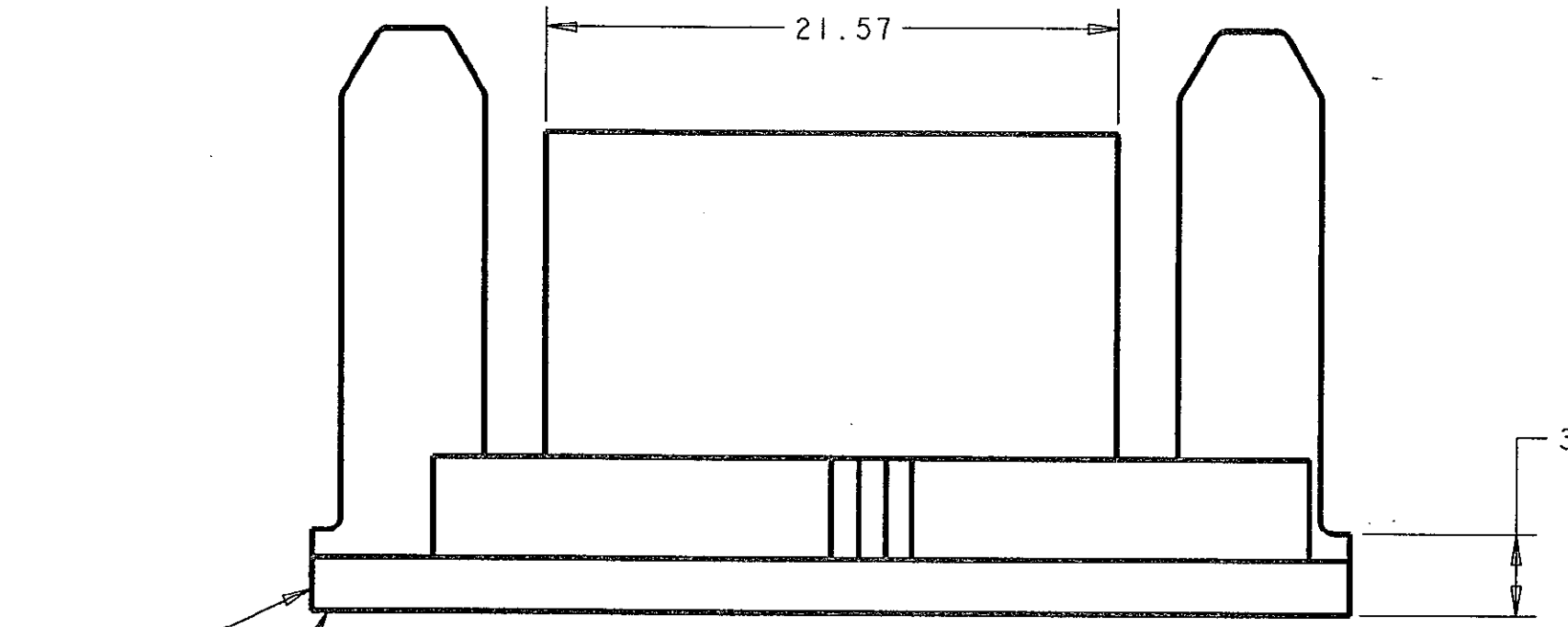
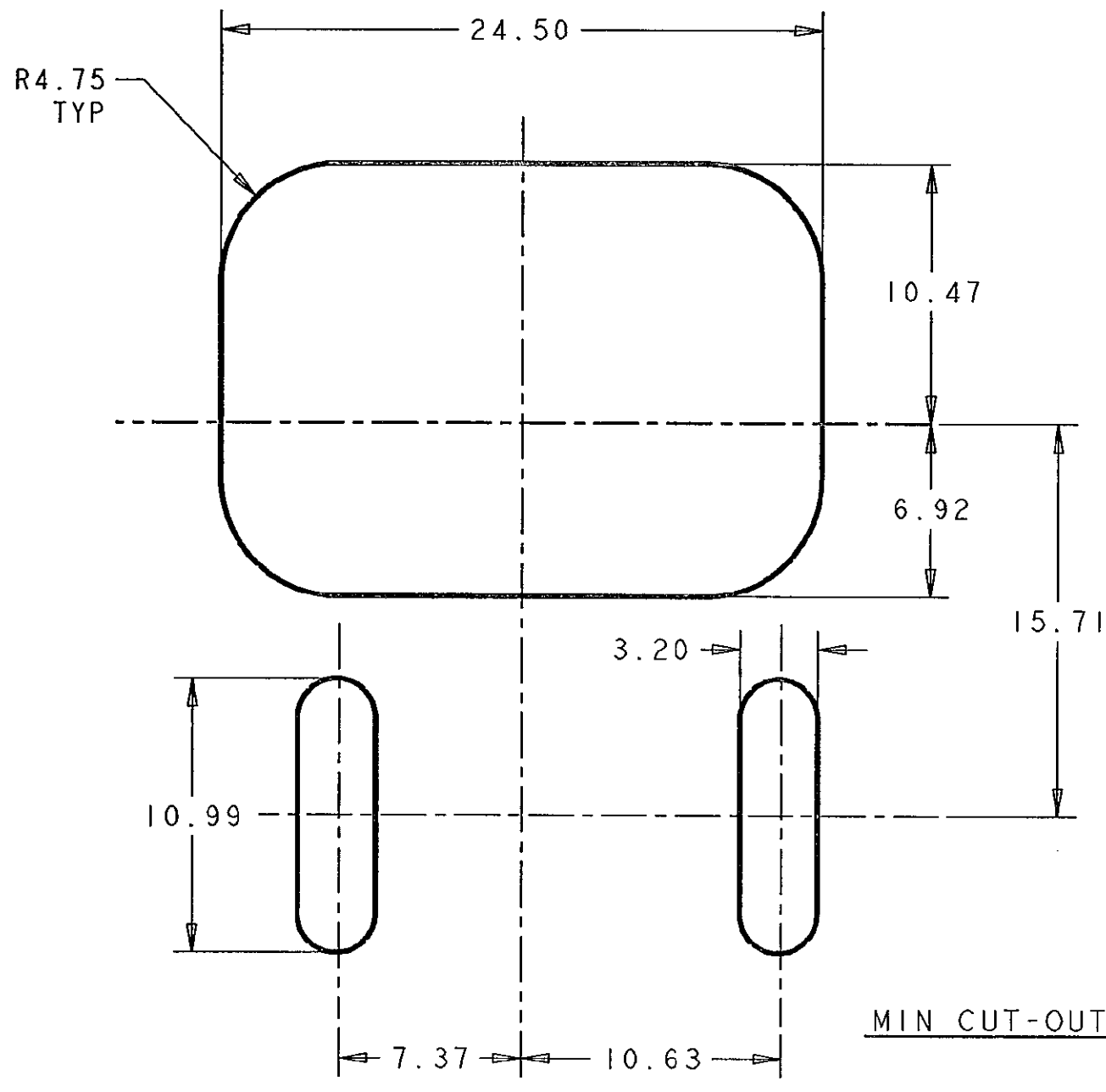
DO NOT SCALE DIMENSIONS IN MM.



R3.75
CIRCUIT IDENT
SHOWN ON FRONT
AND BACK OF
HOUSING



2-SLOTS 3.2 WIDE x 11 LONG



⚠ MOULDING AS -1 BUT WITH GATE
BURR TRIMMED

BLACK	30% GF PBT UL 94 V0	343347-2
BLACK	30% GF PBT UL 94 V0	343347-1
FINISH	MATERIAL	PART NUMBER
CUSTOMER DWG FOR REFERENCE ONLY		
THIS INFORMATION IS CONFIDENTIAL AND IS DISCLOSED TO YOU ON CONDITION THAT NO FURTHER DISCLOSURE IS MADE BY YOU TO OTHER THAN AMP PERSONNEL WITHOUT WRITTEN AUTHORIZATION FROM AMP OF GREAT BRITAIN LTD.		
TOLERANCES UNLESS OTHERWISE STATED: DEC ± 0.5 ANGLES ± 1°	DR. A. J. BEKEN	22 FEB 1989
	CH. R. W. BAKER	APP. R. W. BAKER
	AMP of Great Britain Ltd.	TERMINAL HOUSE STANMORE MIDDX.
NAME 10 WAY DRAWER CONN PLUG HOUSING		
A A. J. BEKEN	eb00-0341-95	24-08-95
0 A. J. BEKEN	C5149	22-2-89
REV APPROVED	ECN	DATE
4/1	E	A2
SCALE	LOC	SIZE
DWG. No.	REV	SHEET
C343347	A	1/1