



Chipsmall Limited consists of a professional team with an average of over 10 year of expertise in the distribution of electronic components. Based in Hongkong, we have already established firm and mutual-benefit business relationships with customers from,Europe,America and south Asia,supplying obsolete and hard-to-find components to meet their specific needs.

With the principle of “Quality Parts,Customers Priority,Honest Operation,and Considerate Service”,our business mainly focus on the distribution of electronic components. Line cards we deal with include Microchip,ALPS,ROHM,Xilinx,Pulse,ON,Everlight and Freescale. Main products comprise IC,Modules,Potentiometer,IC Socket,Relay,Connector.Our parts cover such applications as commercial,industrial, and automotives areas.

We are looking forward to setting up business relationship with you and hope to provide you with the best service and solution. Let us make a better world for our industry!



Contact us

Tel: +86-755-8981 8866 Fax: +86-755-8427 6832

Email & Skype: info@chipsmall.com Web: www.chipsmall.com

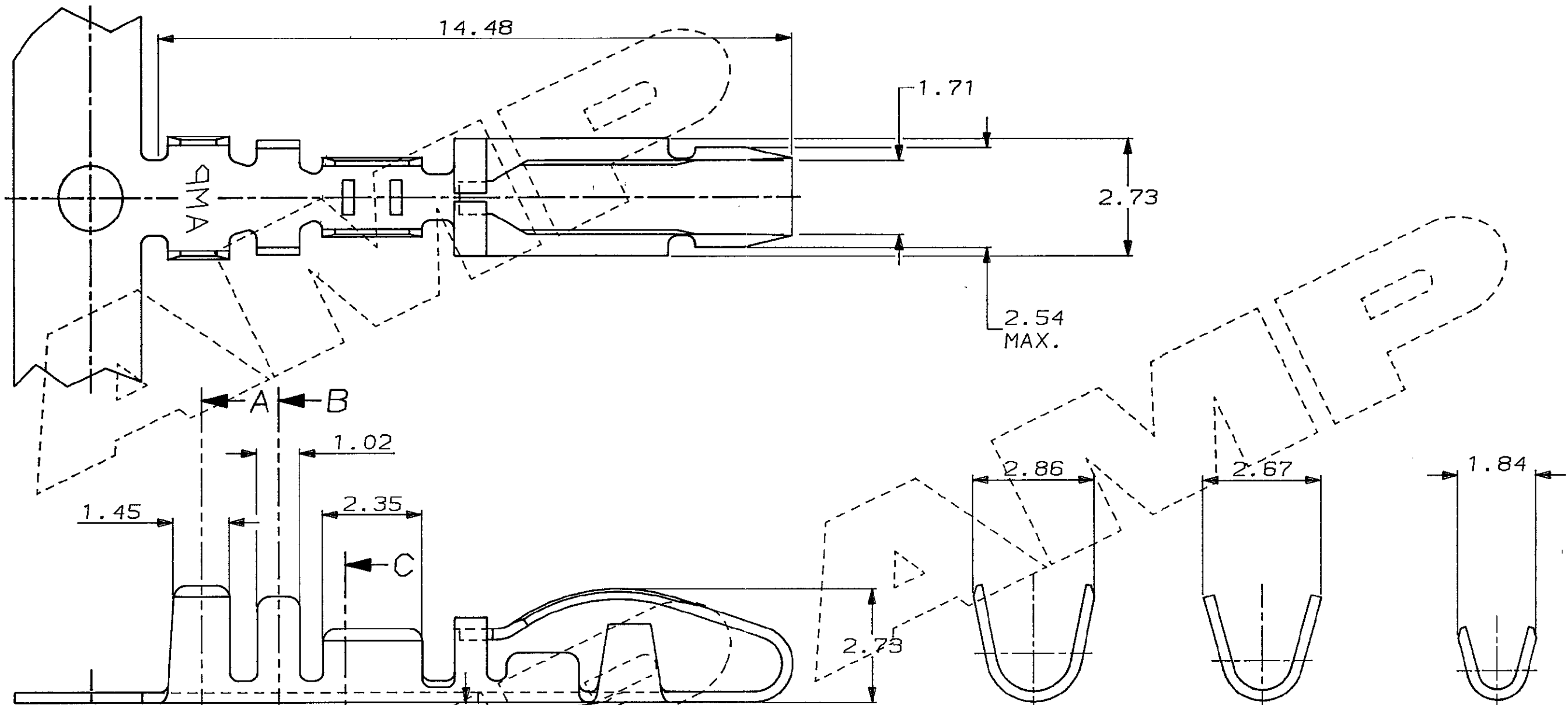
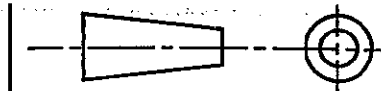
Address: A1208, Overseas Decoration Building, #122 Zhenhua RD., Futian, Shenzhen, China



C.A.D. FILE CODE
S.C343371.0.SH1

DO NOT SCALE

DIMENSIONS IN MM.




SECTION A-A SECTION B-B SECTION C-C

NOTE

1. INSPECT TERMINATED CONTACTS TO AMP APPLICATION SPECIFICATION 114-9003

PRE PLATED GOLD OVER NICKEL	PHOSPHOR BRONZE	343371-1
FINISH	MATERIAL	PART NUMBER

CUSTOMER DWG FOR REFERENCE ONLY	© COPYRIGHT 1988 BY AMP OF GREAT BRITAIN LTD. ALL INTERNATIONAL RIGHTS RESERVED. ALL PRODUCTS MAY BE COVERED BY BRITISH AND FOREIGN PATENTS AND/OR PATENTS PENDING.	RELEASED FOR PUBLICATION 1988
---------------------------------	---	-------------------------------

TOLERANCES UNLESS OTHERWISE STATED :	DR. A. J. BEKEN	18 JUL 1988
DEC ± 0.5	CH. R. W. BAKER	APP. R. W. BAKER
ANGLES ± 1°	 AMP of Great Britain Ltd.	
NAME	CONTACT, AMP LEAF	

0	A. J. BEKEN	CS184	18-2-89	SCALE	LOC	SIZE	DWG. No.	REV	SHEET
REV	APPROVED	ECN	DATE	10/1	E	A3	C343371	0	1/1