



Chipsmall Limited consists of a professional team with an average of over 10 year of expertise in the distribution of electronic components. Based in Hongkong, we have already established firm and mutual-benefit business relationships with customers from,Europe,America and south Asia,supplying obsolete and hard-to-find components to meet their specific needs.

With the principle of “Quality Parts,Customers Priority,Honest Operation,and Considerate Service”,our business mainly focus on the distribution of electronic components. Line cards we deal with include Microchip,ALPS,ROHM,Xilinx,Pulse,ON,Everlight and Freescale. Main products comprise IC,Modules,Potentiometer,IC Socket,Relay,Connector.Our parts cover such applications as commercial,industrial, and automotives areas.

We are looking forward to setting up business relationship with you and hope to provide you with the best service and solution. Let us make a better world for our industry!



Contact us

Tel: +86-755-8981 8866 Fax: +86-755-8427 6832

Email & Skype: info@chipsmall.com Web: www.chipsmall.com

Address: A1208, Overseas Decoration Building, #122 Zhenhua RD., Futian, Shenzhen, China



4

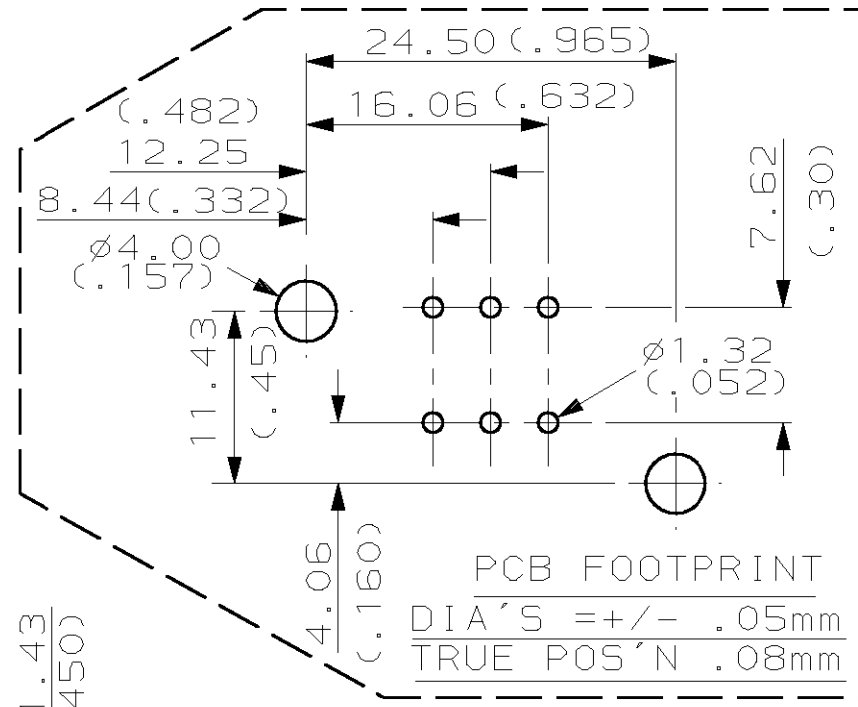
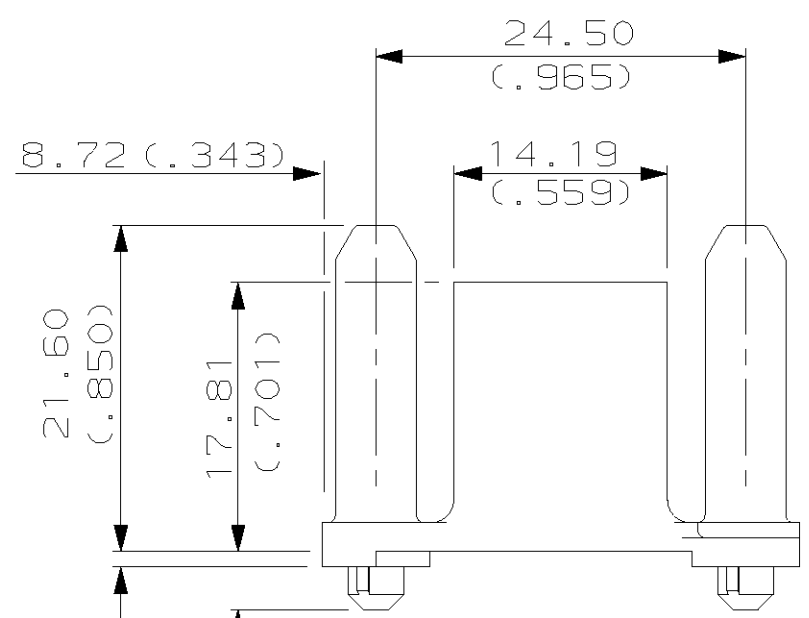
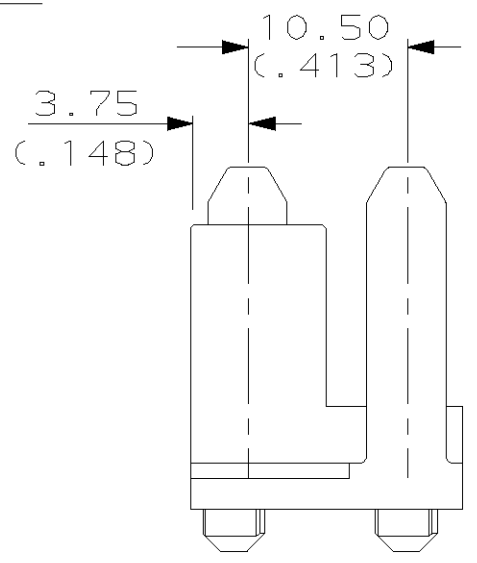
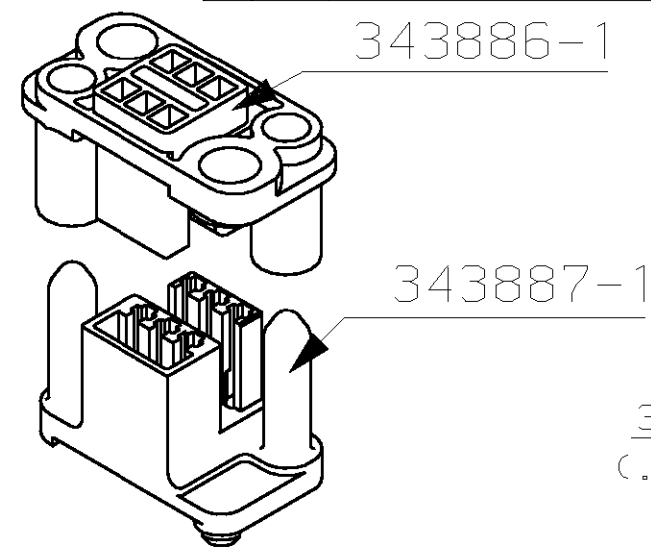
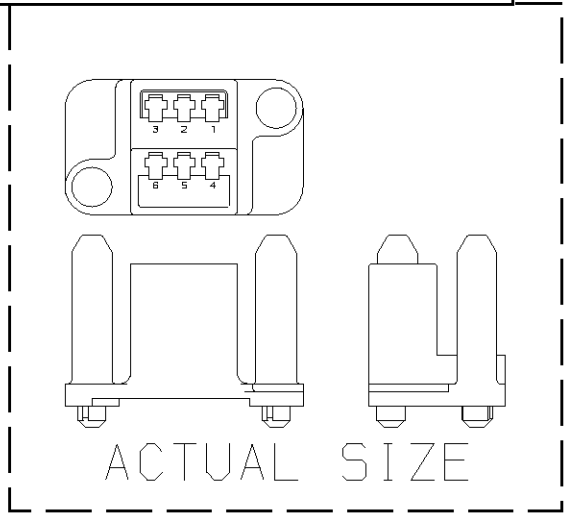
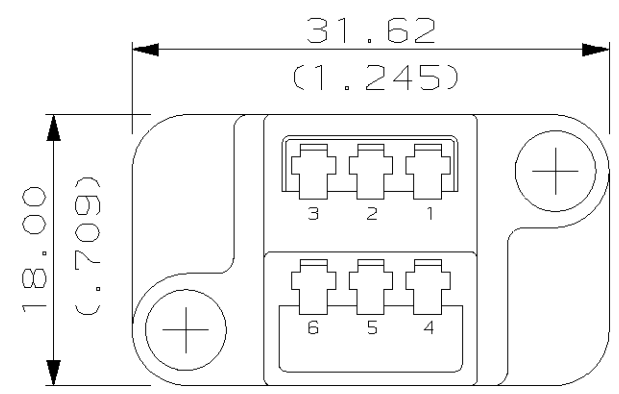
3

2

1

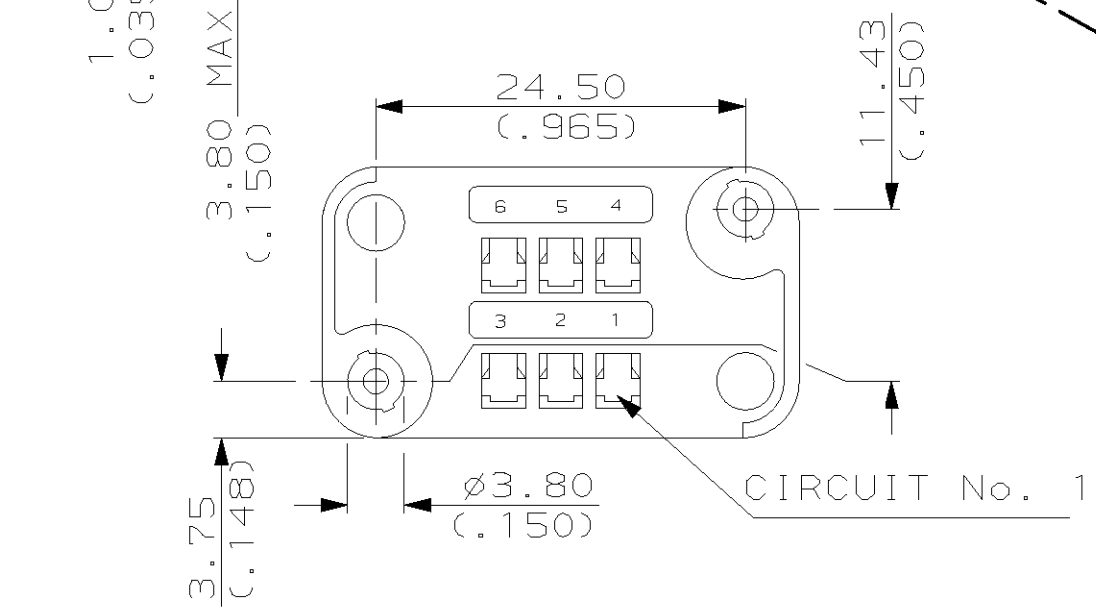
THIS DRAWING IS UNPUBLISHED. RELEASED FOR PUBLICATION .19
© COPYRIGHT 19 BY AMP INCORPORATED. ALL RIGHTS RESERVED.

LOC	DIST	REVISIONS			
P	LTR	DESCRIPTION	DATE	DWN	APVD
AD	00				
	4	ECN C4735	28-8-87	WW	AM
	A	REV PER 0652-0140-98	10/06/99	MM	MB



NOTES

- MATES WITH 343886-1.
- RECEIVES CONTACT No. 583293-2.
- PERFORMANCE AS PER AMP PRODUCT SPECIFICATION 108-3080.
- MOUNTING DETAILS: PCB TO MOUNTING PLATE DAYLIGHT 22.20 (.874) MIN. OVERALL MATED HEIGHT 25.50 MAX.
- CONSULT AMP GB. ENGINEERING



343887-1
PART NO

THIS DRAWING IS A CONTROLLED DOCUMENT.		DWN W. WILSON	16DEC86	AMP Incorporated Harrisburg, PA 17105-3608	
DIMENSIONS: mm		CHK -	APVD -		
TOLERANCES UNLESS OTHERWISE SPECIFIED:		PRODUCT SPEC -		PCB HEADER HOUSING	
0 PLC ± 1 PLC ±0.5 2 PLC ±0.2 3 PLC ± 4 PLC ± ANGLES ±1°		APPLICATION SPEC -		SIZE	RESTRICTED TO
MATERIAL 30% GF PBT	FINISH BLACK	WEIGHT -		CAGE CODE A300779	DRAWING NO C- 343887
CUSTOMER DRAWING				SCALE 2:1	SHEET 1 OF 1
				REV A	