



Chipsmall Limited consists of a professional team with an average of over 10 year of expertise in the distribution of electronic components. Based in Hongkong, we have already established firm and mutual-benefit business relationships with customers from,Europe,America and south Asia,supplying obsolete and hard-to-find components to meet their specific needs.

With the principle of “Quality Parts,Customers Priority,Honest Operation,and Considerate Service”,our business mainly focus on the distribution of electronic components. Line cards we deal with include Microchip,ALPS,ROHM,Xilinx,Pulse,ON,Everlight and Freescale. Main products comprise IC,Modules,Potentiometer,IC Socket,Relay,Connector.Our parts cover such applications as commercial,industrial, and automotives areas.

We are looking forward to setting up business relationship with you and hope to provide you with the best service and solution. Let us make a better world for our industry!



Contact us

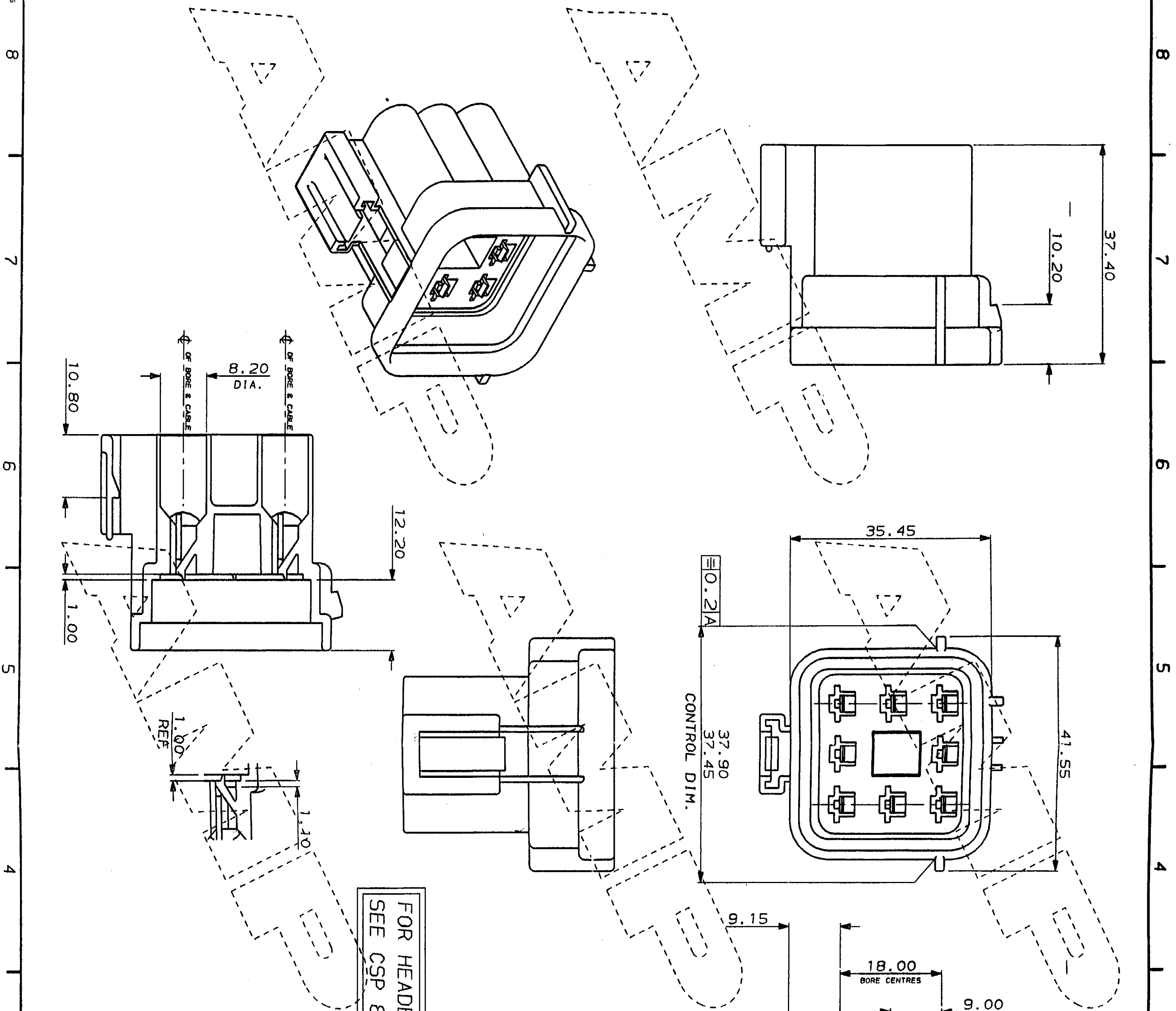
Tel: +86-755-8981 8866 Fax: +86-755-8427 6832

Email & Skype: info@chipsmall.com Web: www.chipsmall.com

Address: A1208, Overseas Decoration Building, #122 Zhenhua RD., Futian, Shenzhen, China



A B C D E F 8 7 6 5 4 3 2 1



FOR HEADER DETAILS OF THIS PART
SEE CSP 8391 REV. 14

DO NOT SCALE
DIMENSIONS IN MM.

FINISH	MATERIAL	PART NUMBER
WHITE	NYLON 6.6	344073-4
BLUE	NYLON 6.6	344073-3
RED	NYLON 6.6	344073-2
BLACK	NYLON 6.6	344073-1

CUSTOMER DWG
FOR REFERENCE ONLY

UNLESS OTHERWISE STATED DEC & 0.5 ANGLES & 1°

REV	DATE	BY	CHKD	APPD	SCALE	LOC	SIZE	DWG. NO.	REV	SHEET
0	11.3.88	CM24	11.3.88		2/1	E	A2	C344073	D	1/1

8 WAY TAB HSG.
ECONOMISEL 3 HIGH CURRENT



TERMINAL HOUSE
STANDAR
HIBOX.

DR. R. S.
CH. R. J. S.
APP. B. J.

RELEASED FOR PUBLICATION
17.6.87

NOT the LATEST
REVISION

FORMAT 22/05/85