



Chipsmall Limited consists of a professional team with an average of over 10 year of expertise in the distribution of electronic components. Based in Hongkong, we have already established firm and mutual-benefit business relationships with customers from,Europe,America and south Asia,supplying obsolete and hard-to-find components to meet their specific needs.

With the principle of “Quality Parts,Customers Priority,Honest Operation,and Considerate Service”,our business mainly focus on the distribution of electronic components. Line cards we deal with include Microchip,ALPS,ROHM,Xilinx,Pulse,ON,Everlight and Freescale. Main products comprise IC,Modules,Potentiometer,IC Socket,Relay,Connector.Our parts cover such applications as commercial,industrial, and automotives areas.

We are looking forward to setting up business relationship with you and hope to provide you with the best service and solution. Let us make a better world for our industry!



Contact us

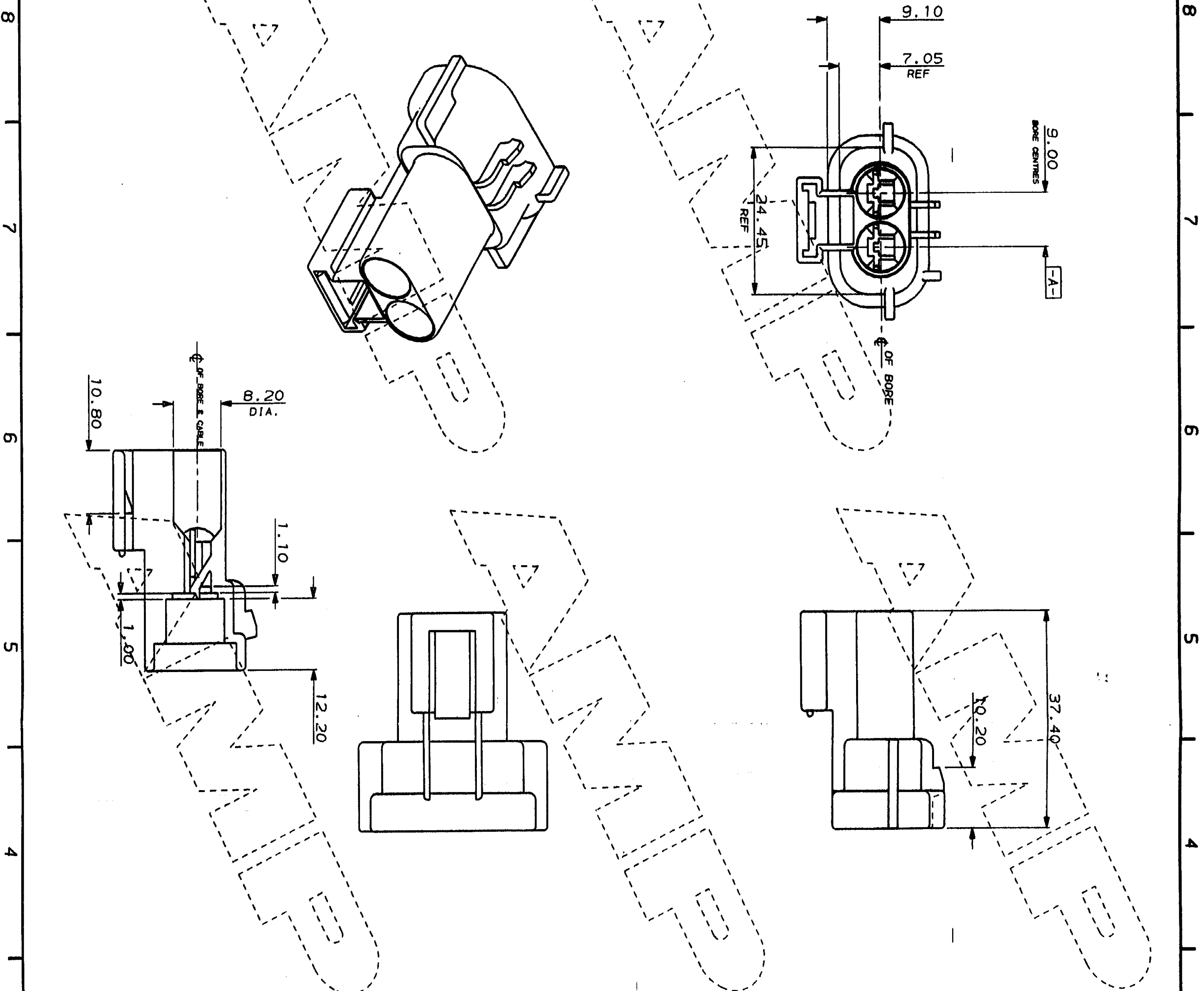
Tel: +86-755-8981 8866 Fax: +86-755-8427 6832

Email & Skype: info@chipsmall.com Web: www.chipsmall.com

Address: A1208, Overseas Decoration Building, #122 Zhenhua RD., Futian, Shenzhen, China

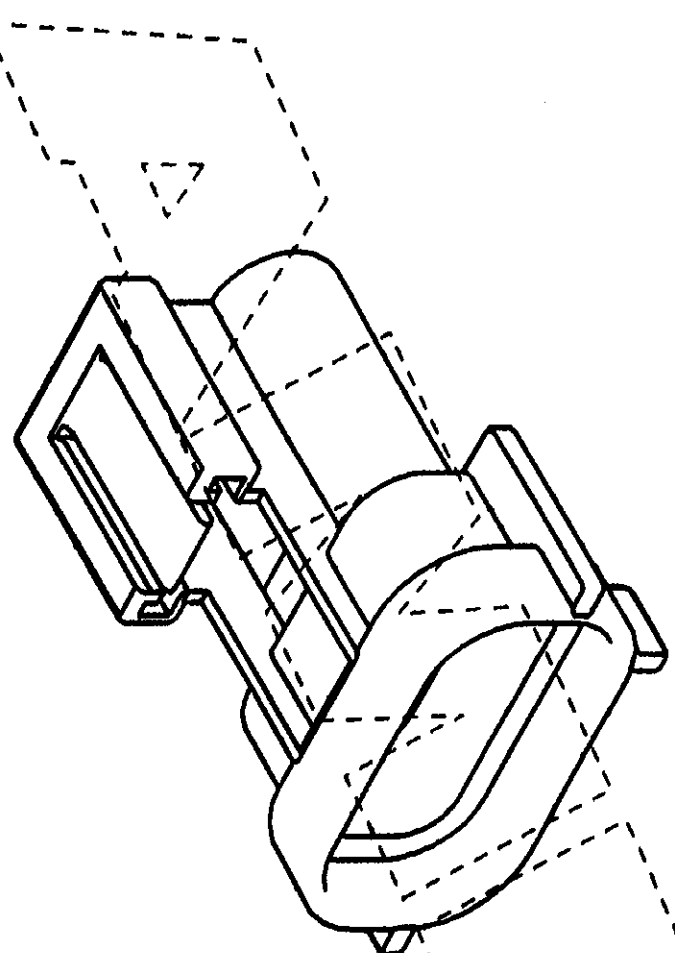
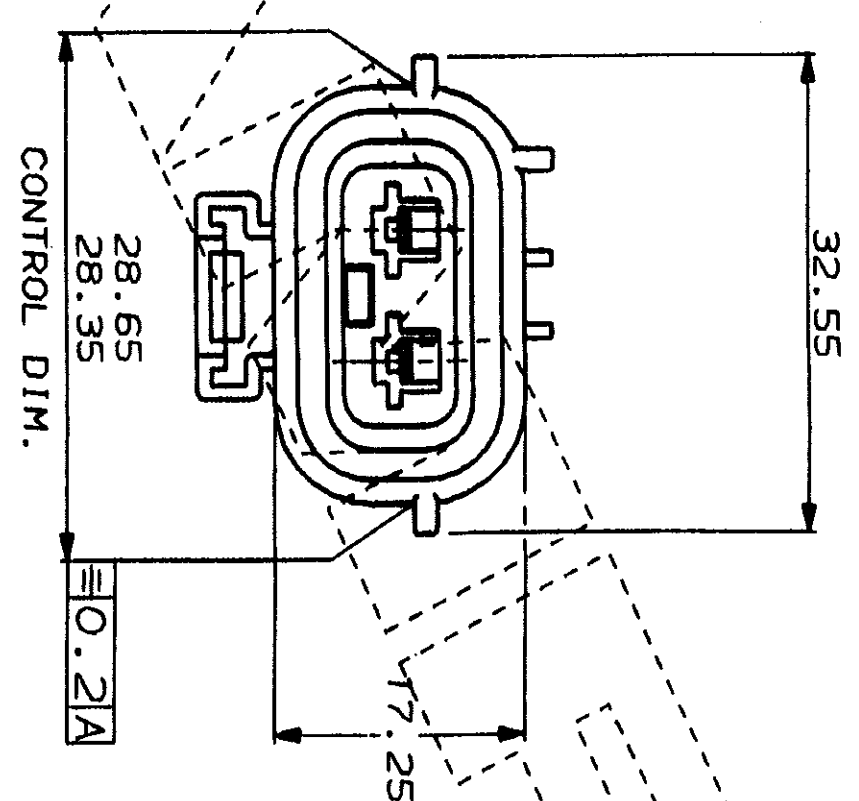


FORMAT 22/05/85



DO NOT SCALE

DIMENSIONS IN MM.



REV	APPROVED	ECN	DATE	SCALE	LOC	SIZE	DWG. NO.	REV	SHEET
0			11.3.88	2/1	E	A2	C344075	C	1/1
CUSTOMER DWG FOR REFERENCE ONLY				DR. I.J.J. CH. R.J.S. AMP of Great British Ltd.			App. R.J.J. TERMINAL HOUSE STANDARD H100X.		
TOLERANCES UNLESS OTHERWISE STATED DEC ± 0.5 ANGLES ± 1°				DR. I.J.J. CH. R.J.S. AMP of Great British Ltd.			App. R.J.J. TERMINAL HOUSE STANDARD H100X.		
COPYRIGHT 1987 BY AMP OF GREAT BRITAIN LTD. ALL INTERNATIONAL RIGHTS RESERVED. ALL PRODUCTS MAY BE COVERED BY BRITISH AND FOREIGN PATENTS AND/OR PATENTS PENDING.				DR. I.J.J. CH. R.J.S. AMP of Great British Ltd.			App. R.J.J. TERMINAL HOUSE STANDARD H100X.		
FINISH				MATERIAL			PART NUMBER		
WHITE				NYLON 66			344075-4		
BLUE				NYLON 66			344075-3		
RED				NYLON 66			344075-2		
BLACK				NYLON 66			344075-1		
2 MAY TAB HSG. ECONOSEAL 3 HIGH CURRENT				RELEASED FOR PUBLICATION 22/06/87			19/06/87		