



Chipsmall Limited consists of a professional team with an average of over 10 year of expertise in the distribution of electronic components. Based in Hongkong, we have already established firm and mutual-benefit business relationships with customers from,Europe,America and south Asia,supplying obsolete and hard-to-find components to meet their specific needs.

With the principle of "Quality Parts,Customers Priority,Honest Operation,and Considerate Service",our business mainly focus on the distribution of electronic components. Line cards we deal with include Microchip,ALPS,ROHM,Xilinx,Pulse,ON,Everlight and Freescale. Main products comprise IC,Modules,Potentiometer,IC Socket,Relay,Connector.Our parts cover such applications as commercial,industrial, and automotives areas.

We are looking forward to setting up business relationship with you and hope to provide you with the best service and solution. Let us make a better world for our industry!



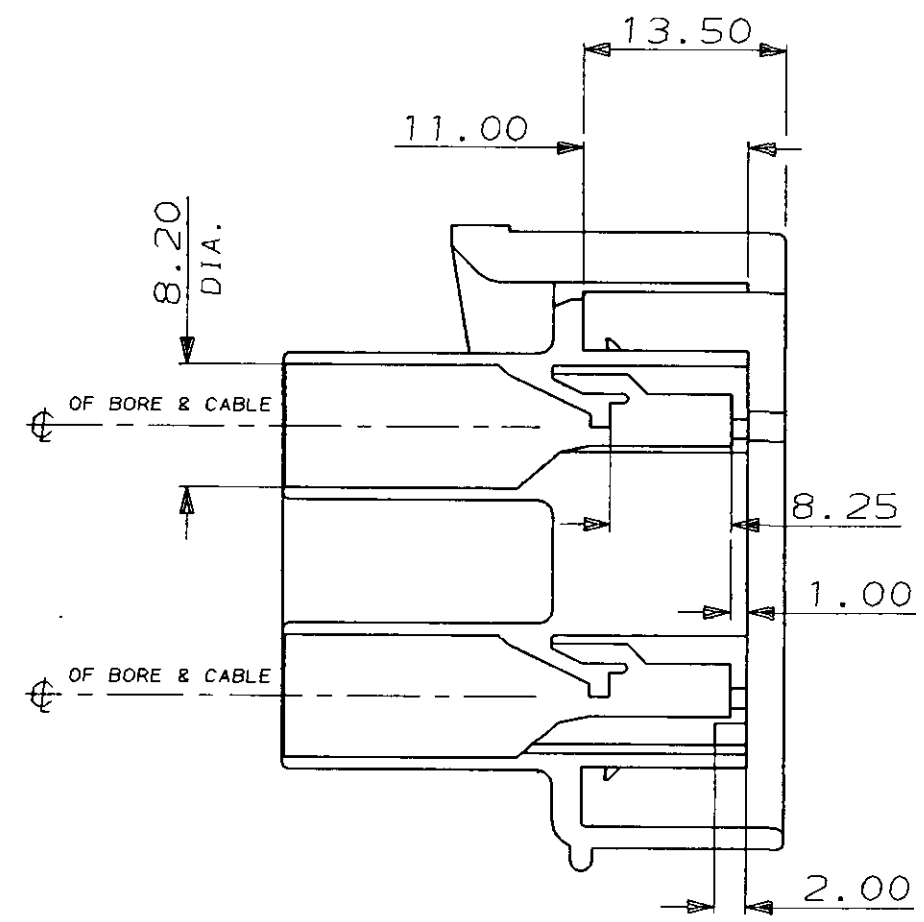
Contact us

Tel: +86-755-8981 8866 Fax: +86-755-8427 6832

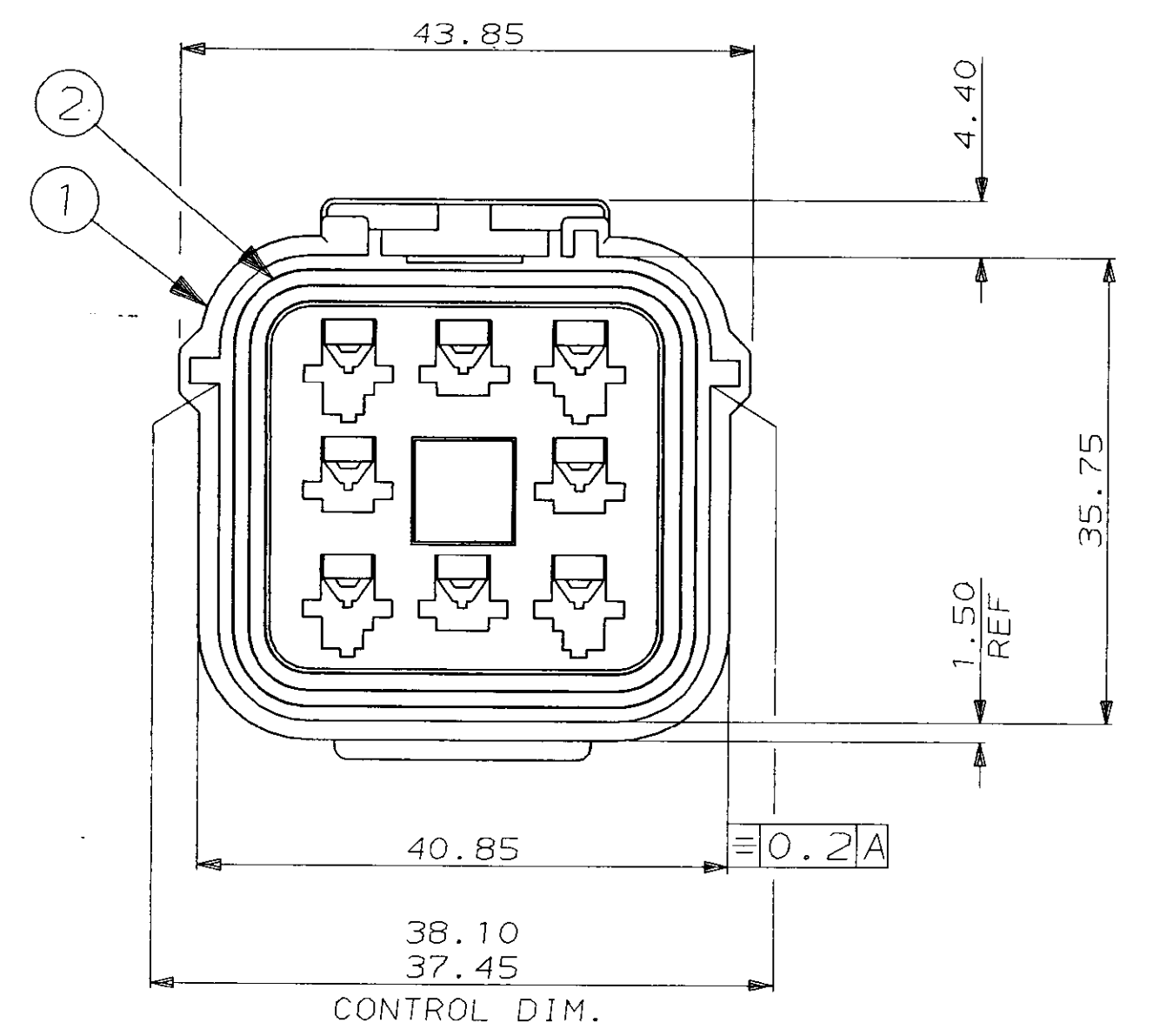
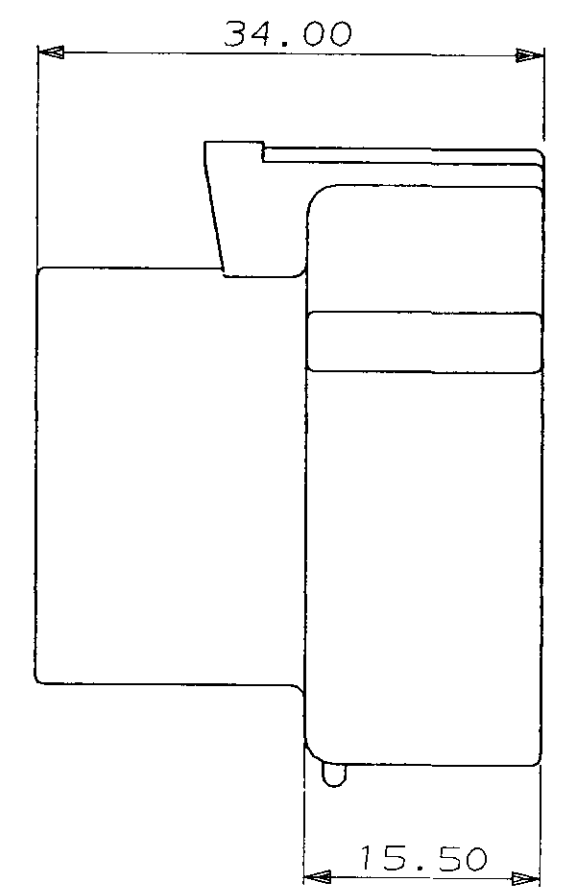
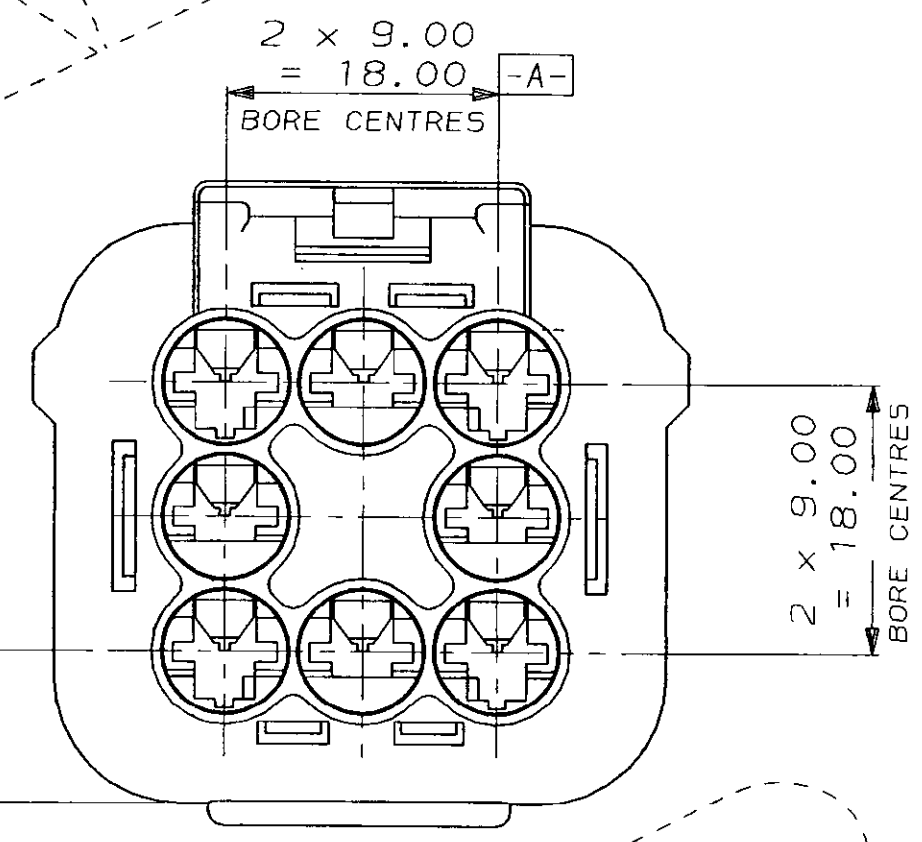
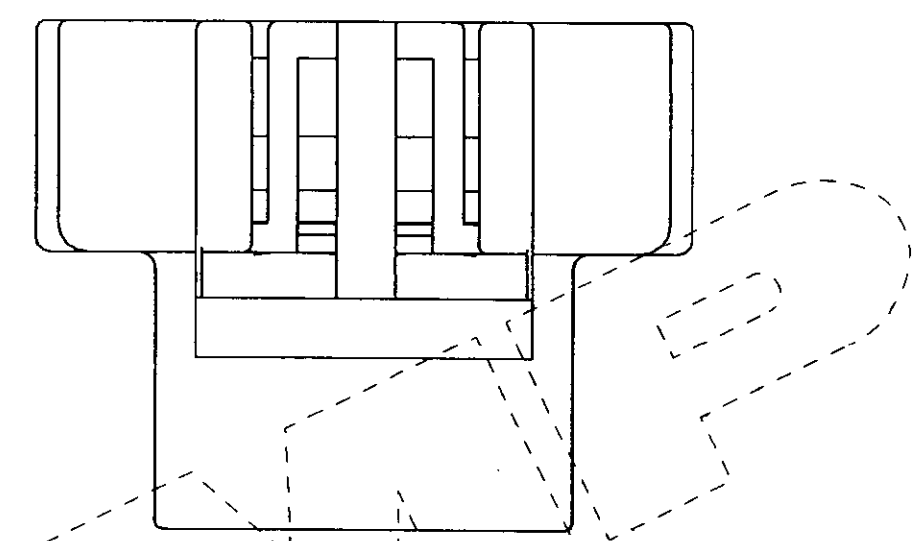
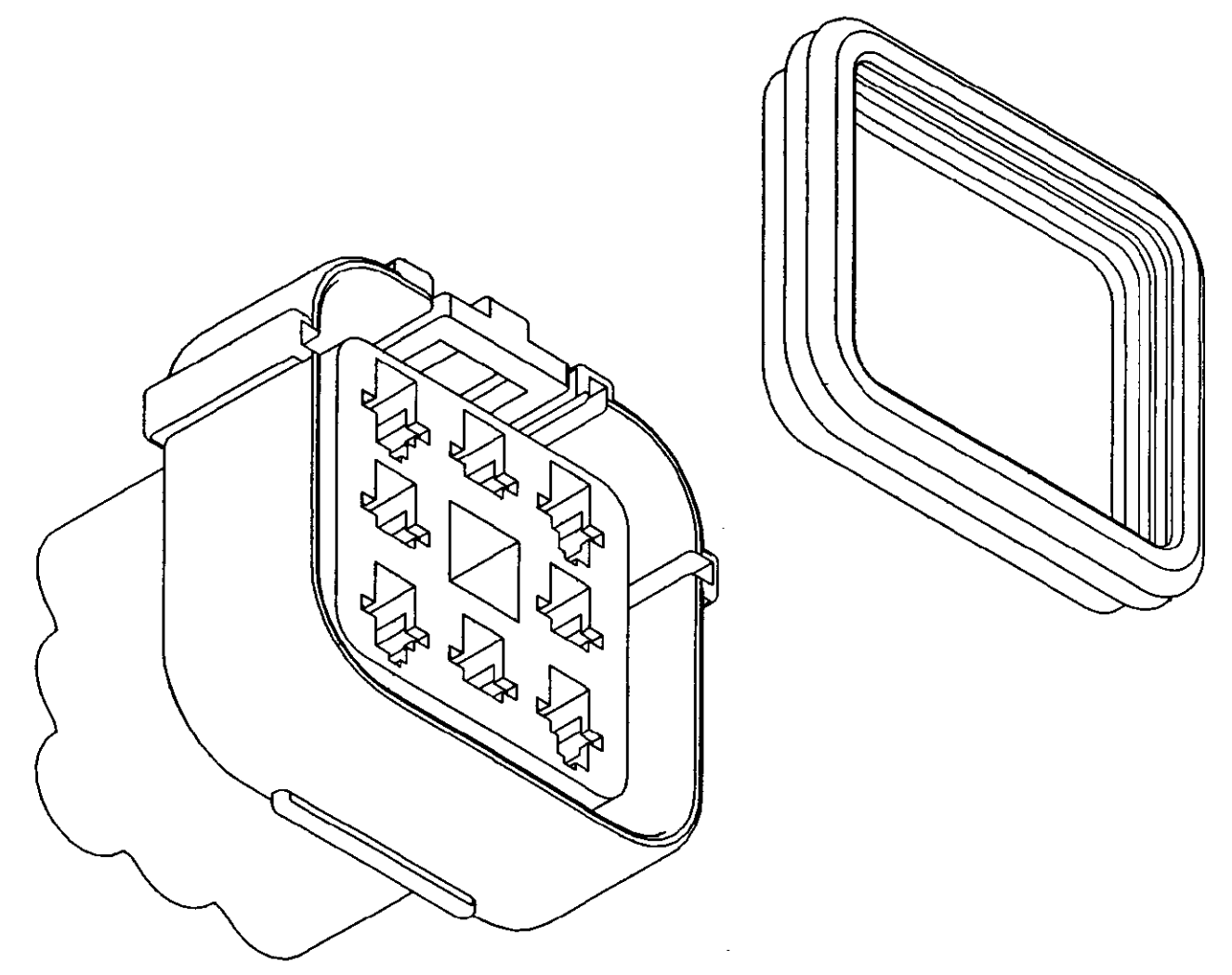
Email & Skype: info@chipsmall.com Web: www.chipsmall.com

Address: A1208, Overseas Decoration Building, #122 Zhenhua RD., Futian, Shenzhen, China





SCRAP VIEW (SEAL NOT SHOWN)



ITEM No.	MATERIAL	PART NO. OR COLOUR	DESCRIPTION	QTY. PER ASSY.	ASSEMBLY PART No.
2	SILICONE RUBBER	ORANGE	PERIPHERAL SEAL	1	344079-4 (WHITE)
1	NYLON 6.6	344076-4	8 WAY REC. HSG.	1	344079-3 (BLUE)
2	SILICONE RUBBER	ORANGE	PERIPHERAL SEAL	1	344079-2 (RED)
1	NYLON 6.6	344076-3	8 WAY REC. HSG.	1	344079-1 (BLACK)
2	SILICONE RUBBER	ORANGE	PERIPHERAL SEAL	1	
1	NYLON 6.6	344076-2	8 WAY REC. HSG.	1	
2	SILICONE RUBBER	ORANGE	PERIPHERAL SEAL	1	
1	NYLON 6.6	344076-1	8 WAY REC. HSG.	1	

CUSTOMER DWG FOR REFERENCE ONLY				COPYRIGHT 1987 BY AMP OF GREAT BRITAIN LTD. ALL INTERNATIONAL RIGHTS RESERVED. ALL PRODUCTS MAY BE COVERED BY BRITISH AND FOREIGN PATENTS AND/OR PATENTS PENDING.		RELEASED FOR PUBLICATION 23/06/87	
-	-	-	-	TOLERANCES UNLESS OTHERWISE STATED :		DR. I. J. 23/06/87	
E	PER. SEAL MOD.	E800-0134-94	11.10.94	DEC ± 0.5		CH. R. J. S. APP. B. J.	
D	ADDED -2, -3 & 4	C5970	26.11.91	ANGLES ± 1°		AMP TERMINAL HOUSE STANMORE MIDD.	
C	R1B REMOVED	C5331	5/9/89	NAME 8 WAY RECEPTACLE HSG ASSY ECONOSEAL 3 HIGH CURRENT			
B	UPDATED	C5241	14.6.89	SCALE 2/1 LOC E SIZE A2 DWG.No. C344079 REV SHEET E 1/1			
A	UPDATED	C5008	21.7.88				
O	REL. FOR PROD.	C4755	24.2.88				
REV	MODIFICATION	ECN	DATE				

C.A.D. FILE CODE S. C344079.E