



Chipsmall Limited consists of a professional team with an average of over 10 year of expertise in the distribution of electronic components. Based in Hongkong, we have already established firm and mutual-benefit business relationships with customers from,Europe,America and south Asia,supplying obsolete and hard-to-find components to meet their specific needs.

With the principle of “Quality Parts,Customers Priority,Honest Operation,and Considerate Service”,our business mainly focus on the distribution of electronic components. Line cards we deal with include Microchip,ALPS,ROHM,Xilinx,Pulse,ON,Everlight and Freescale. Main products comprise IC,Modules,Potentiometer,IC Socket,Relay,Connector.Our parts cover such applications as commercial,industrial, and automotives areas.

We are looking forward to setting up business relationship with you and hope to provide you with the best service and solution. Let us make a better world for our industry!



Contact us

Tel: +86-755-8981 8866 Fax: +86-755-8427 6832

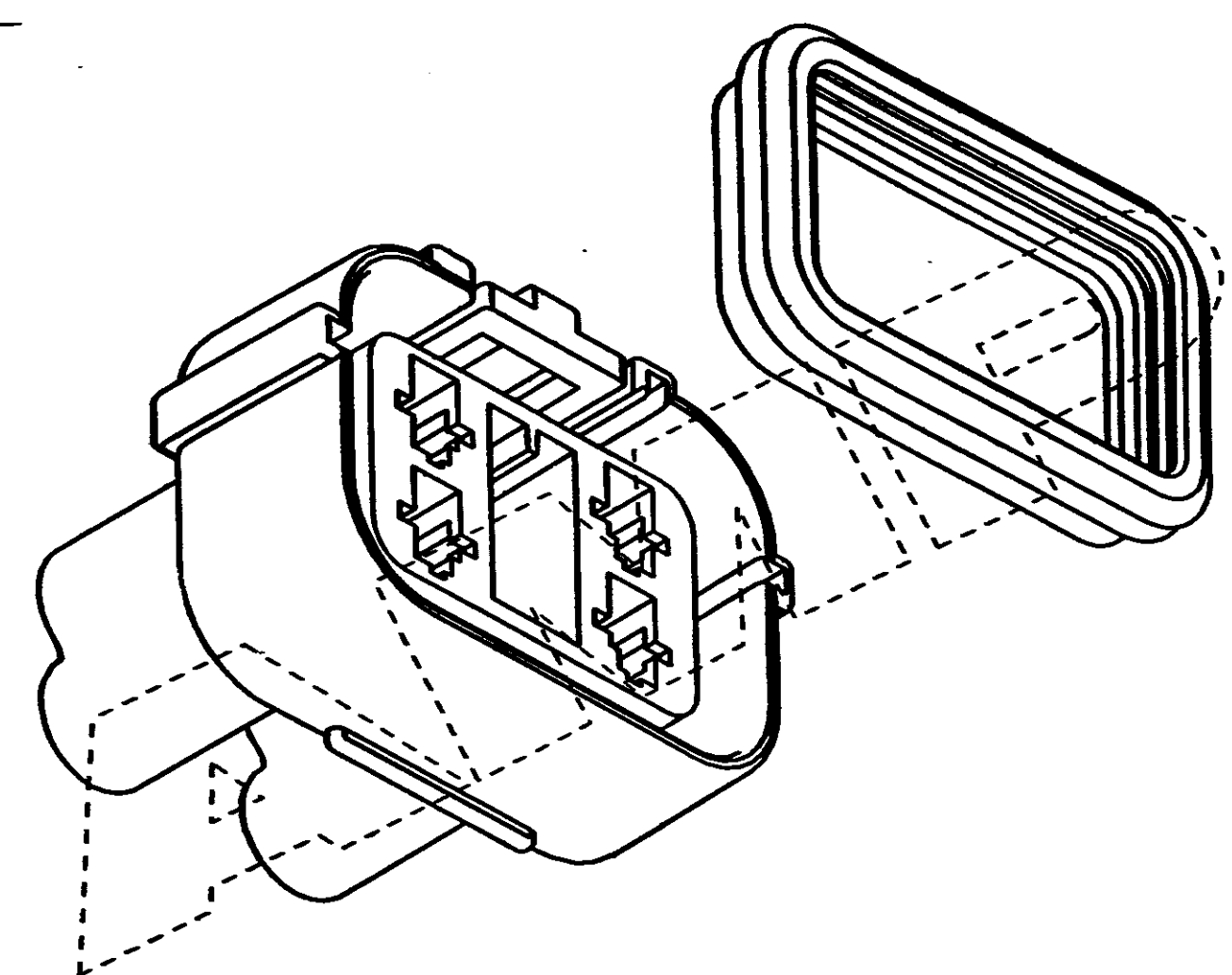
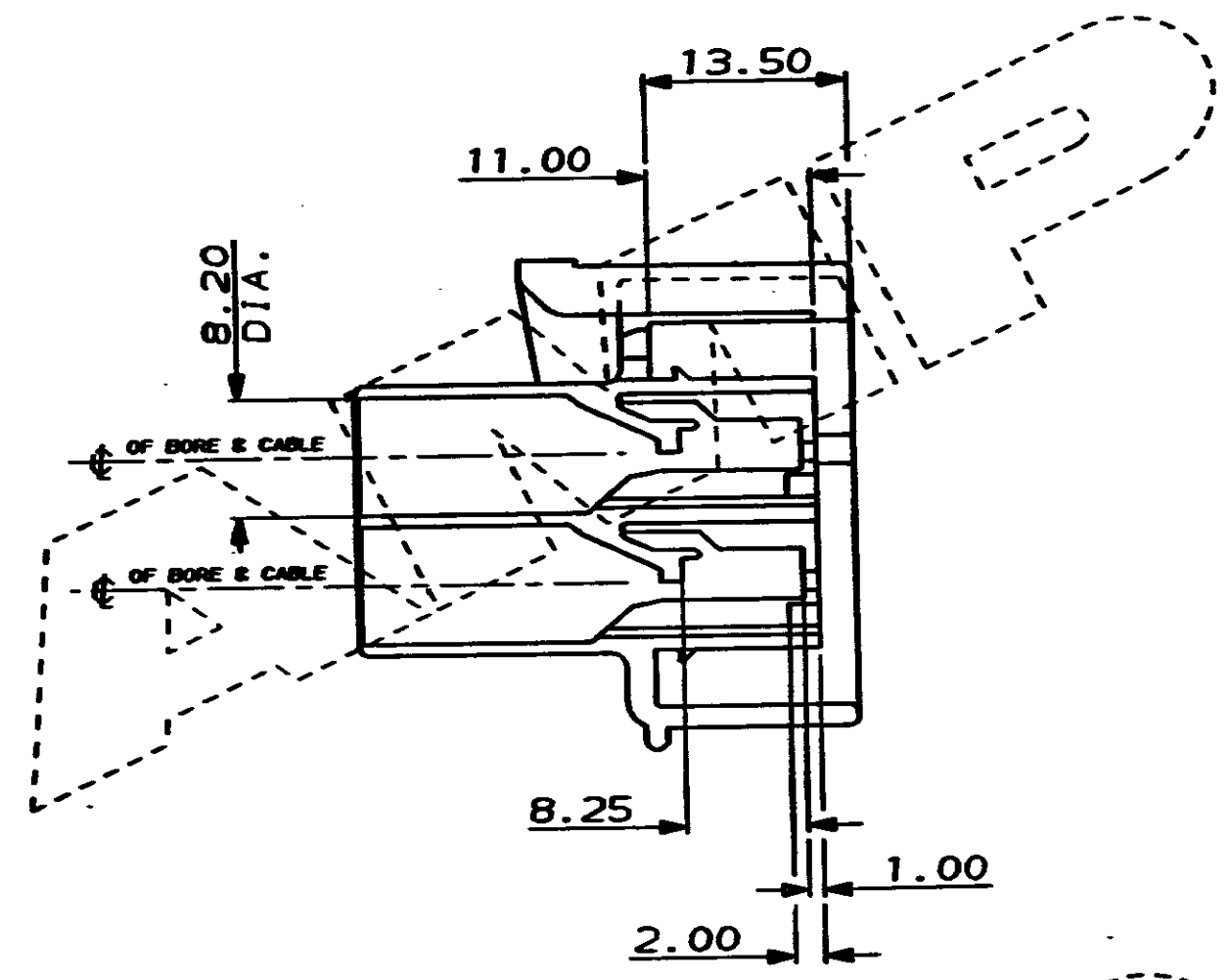
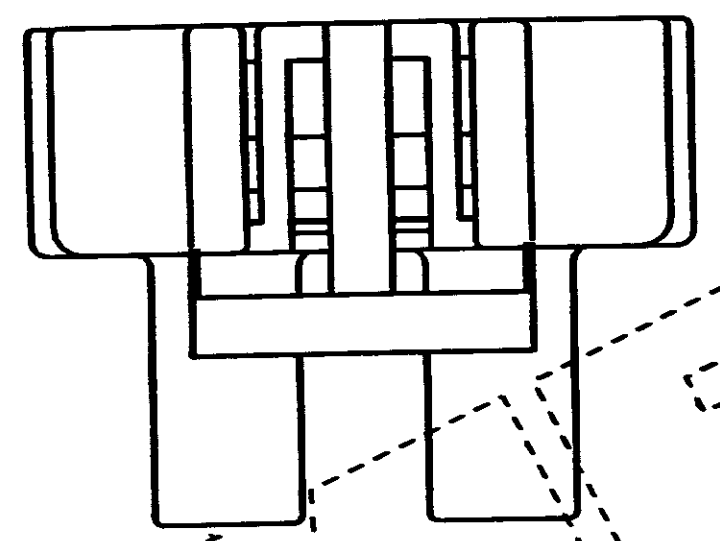
Email & Skype: info@chipsmall.com Web: www.chipsmall.com

Address: A1208, Overseas Decoration Building, #122 Zhenhua RD., Futian, Shenzhen, China

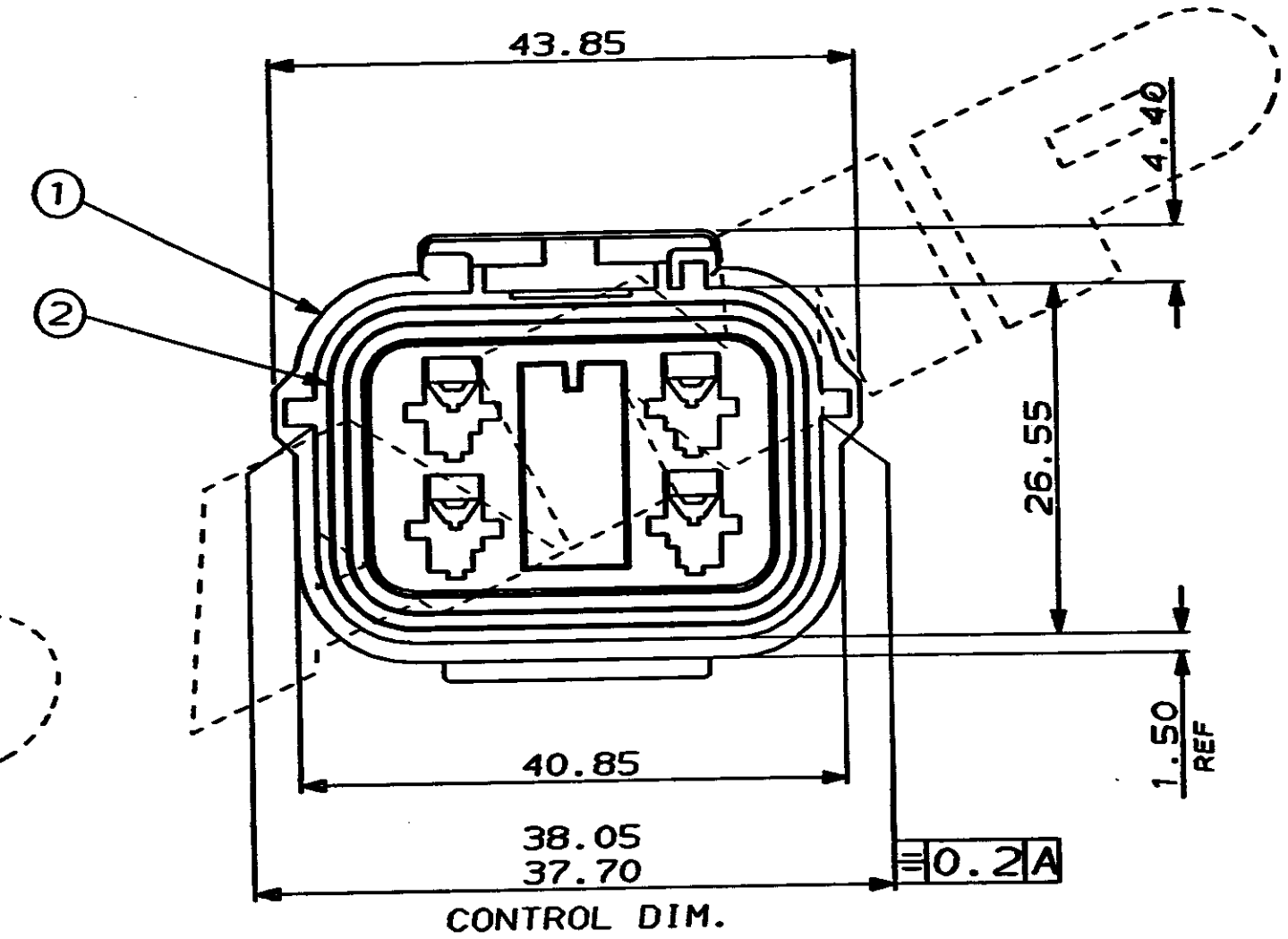
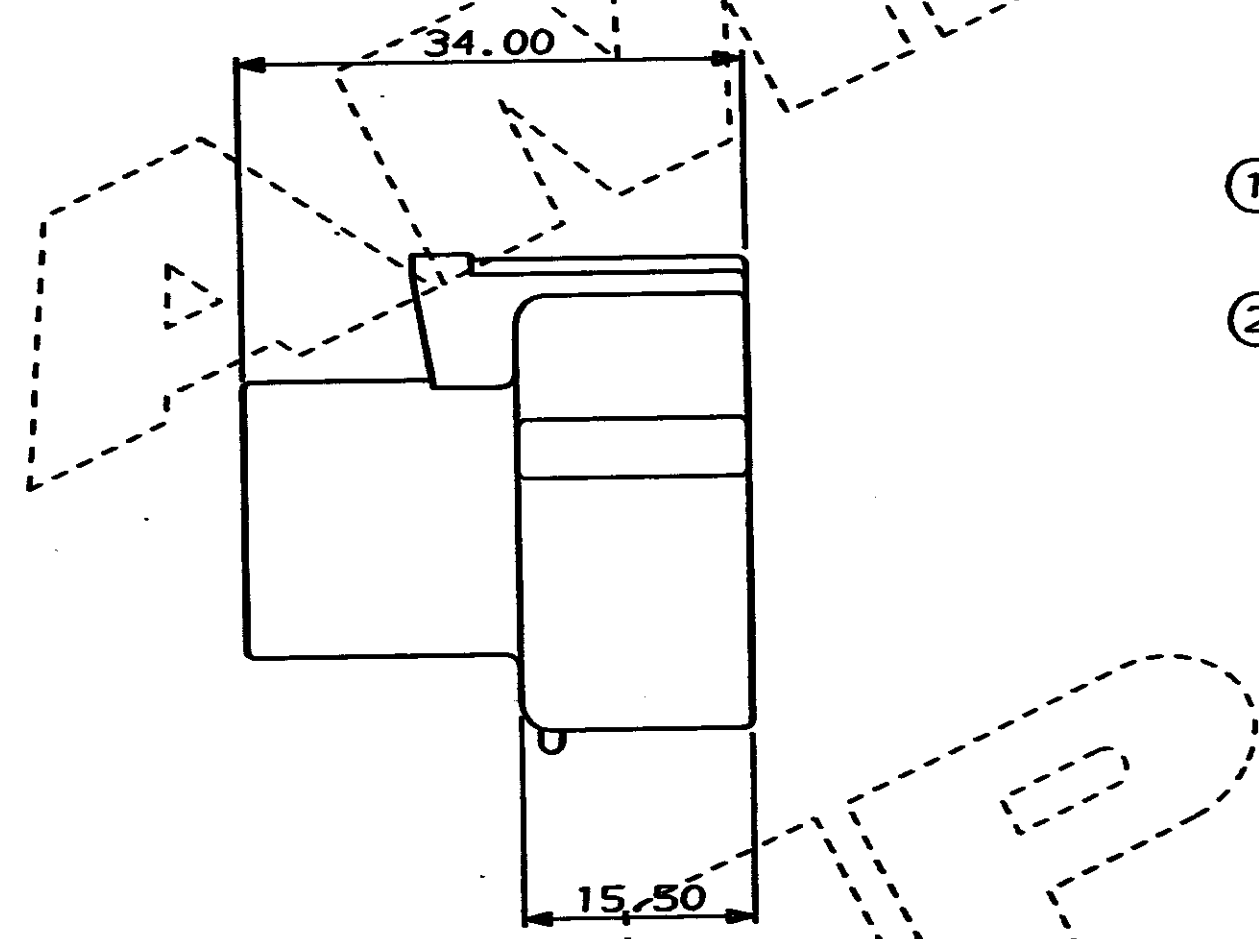
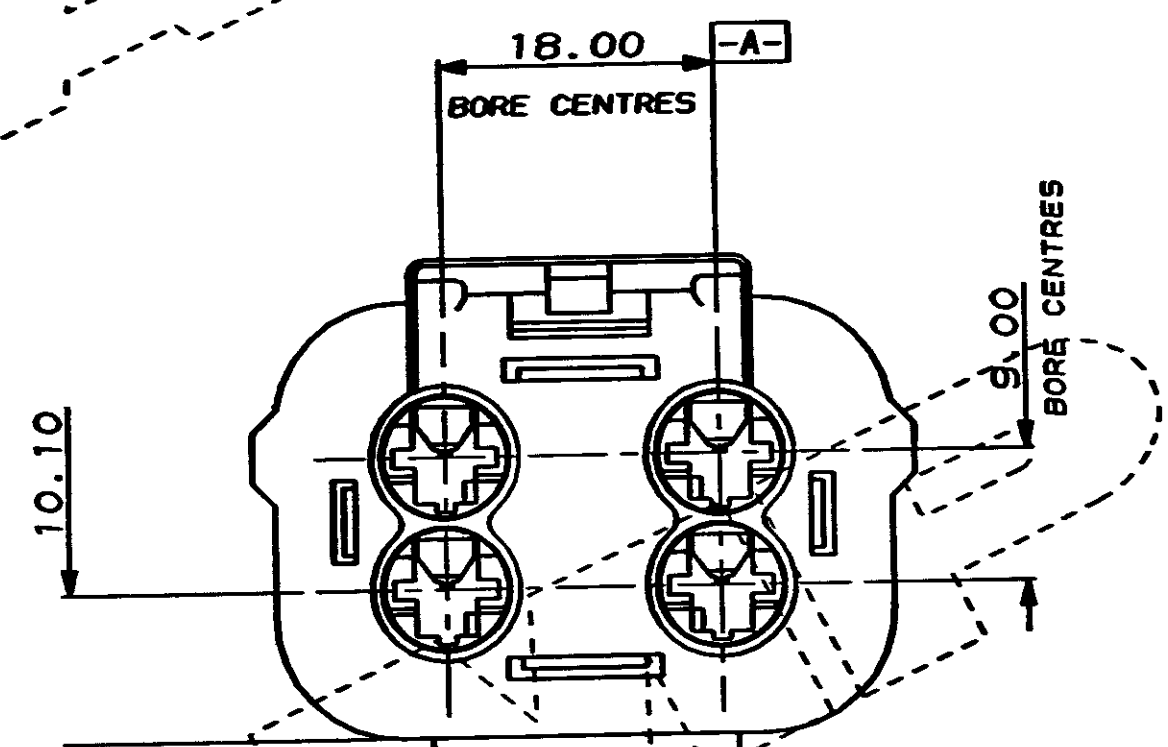


C.A.D. FILE CODE
S. C344080.C

DO NOT SCALE DIMENSIONS IN MM.



SCRAP VIEW (SEAL NOT SHOWN)



ITEM No.	MATERIAL	PART No.	DESCRIPTION	QTY. PER ASSY.	ASSEMBLY PART No.
2		344083-1	PERIPHERAL SEAL	1	344080-4 (WHITE)
1	NYLON 66	344077-4	4 WAY REC. HSG.	1	344080-3 (BLUE)
2		344083-1	PERIPHERAL SEAL	1	344080-2 (RED)
1	NYLON 66	344077-3	4 WAY REC. HSG.	1	344080-1 (BLACK)
2		344083-1	PERIPHERAL SEAL	1	
1	NYLON 66	344077-2	4 WAY REC. HSG.	1	
2		344083-1	PERIPHERAL SEAL	1	
1	NYLON 66	344077-1	4 WAY REC. HSG.	1	

CUSTOMER DWG FOR REFERENCE ONLY				© COPYRIGHT 1987 BY AMP OF GREAT BRITAIN LTD. RELEASED FOR PUBLICATION 24/06/87			
ALL INTERNATIONAL RIGHTS RESERVED. ALL PRODUCTS MAY BE COVERED BY BRITISH AND FOREIGN PATENTS AND/OR PATENTS PENDING.				DR. MWADE 24/06/87			
TOLERANCES UNLESS OTHERWISE STATED DEC ± 0.5 ANGLES ± 1°				CH. R. J. S. APP. B. J.			
NAME 4 WAY RECEPTACLE HSG ASSY ECONOSEAL 3 HIGH CURRENT				TERMINAL HOUSE STANNORE MIDDX.			
C	ADDED	-2, -3 & -4	CS988	4.12.81	SCALE	LOC	SIZE
B	UPDATED		CS241	14.6.80	2/1	E	A2
A	UPDATED		CS908	20.7.80	DWG. No. C344080		
D	REL. FOR PROD.		04755	24.2.80	REV SHEET 1/1		
REV	APPROVED	ECN	DATE				