



Chipsmall Limited consists of a professional team with an average of over 10 year of expertise in the distribution of electronic components. Based in Hongkong, we have already established firm and mutual-benefit business relationships with customers from,Europe,America and south Asia,supplying obsolete and hard-to-find components to meet their specific needs.

With the principle of “Quality Parts,Customers Priority,Honest Operation,and Considerate Service”,our business mainly focus on the distribution of electronic components. Line cards we deal with include Microchip,ALPS,ROHM,Xilinx,Pulse,ON,Everlight and Freescale. Main products comprise IC,Modules,Potentiometer,IC Socket,Relay,Connector.Our parts cover such applications as commercial,industrial, and automotives areas.

We are looking forward to setting up business relationship with you and hope to provide you with the best service and solution. Let us make a better world for our industry!



Contact us

Tel: +86-755-8981 8866 Fax: +86-755-8427 6832

Email & Skype: info@chipsmall.com Web: www.chipsmall.com

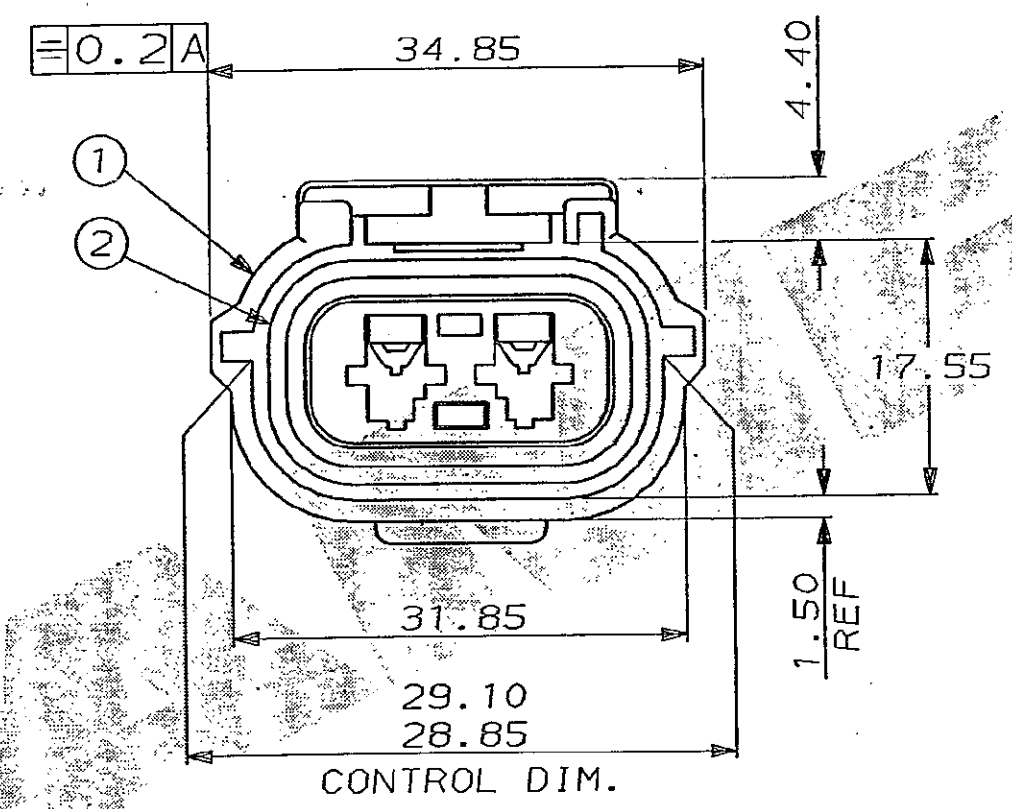
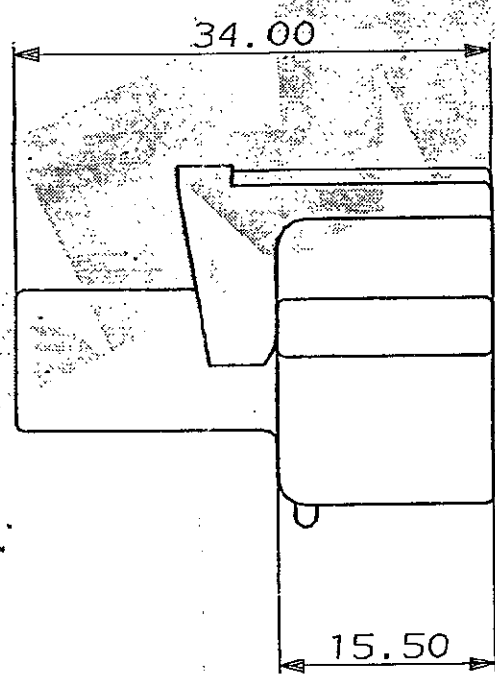
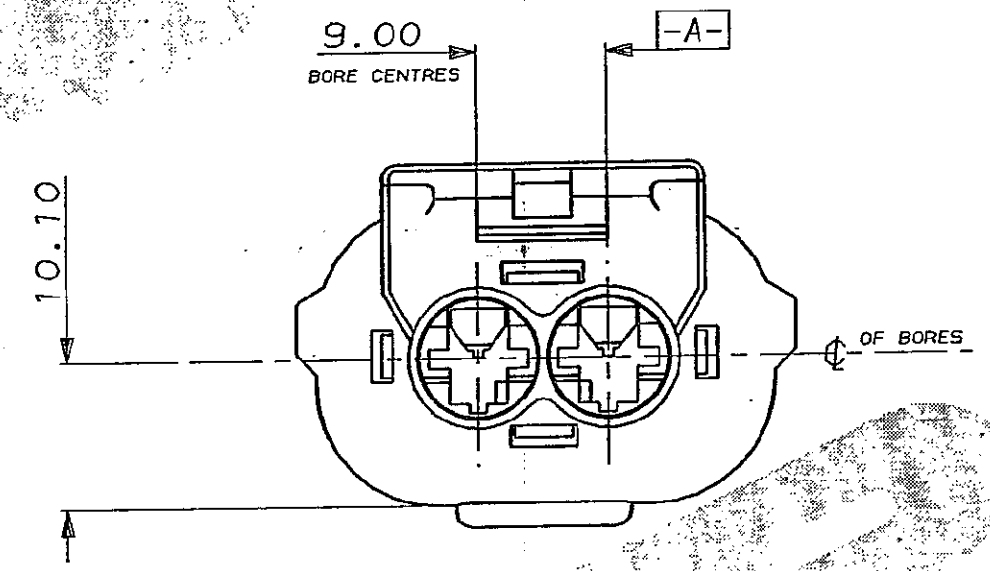
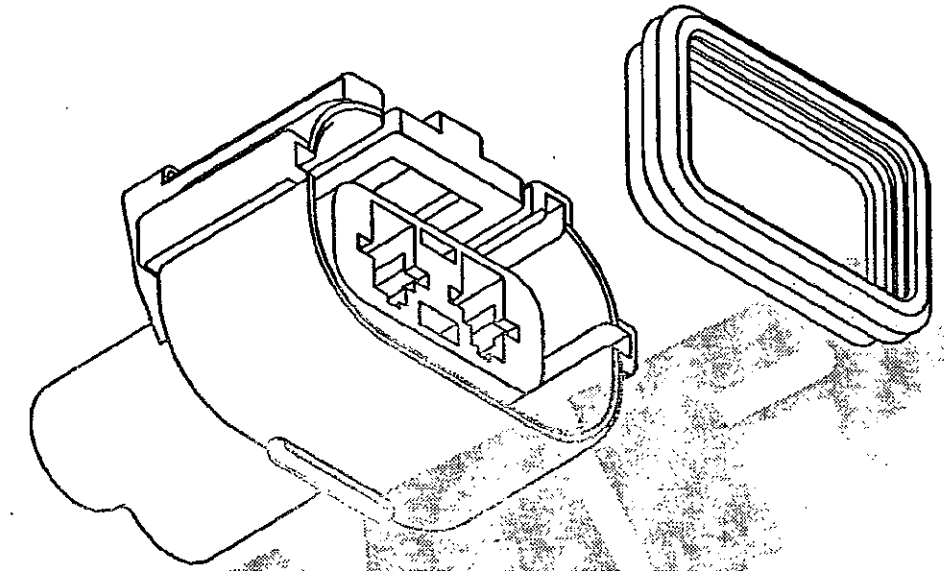
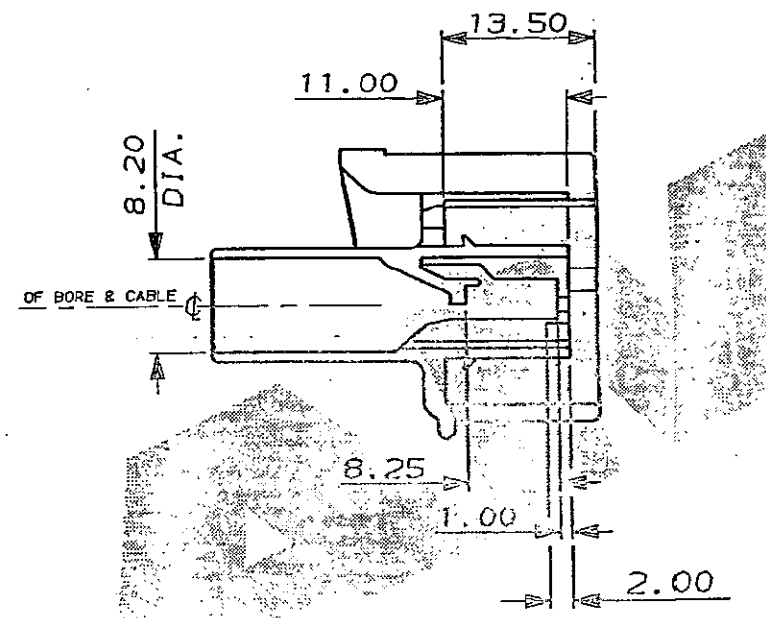
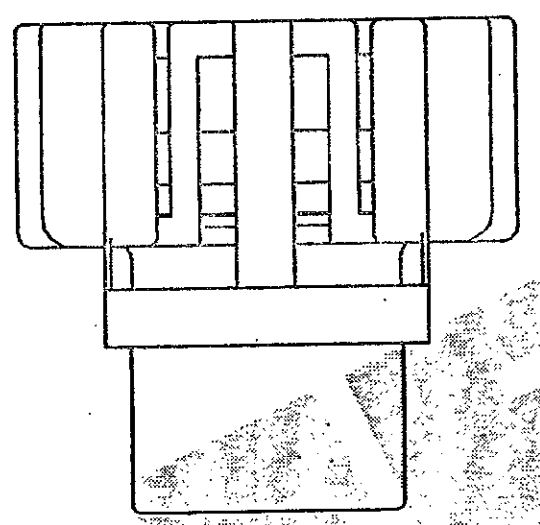
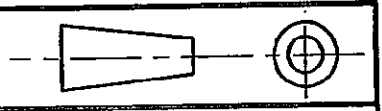
Address: A1208, Overseas Decoration Building, #122 Zhenhua RD., Futian, Shenzhen, China



C.A.D. FILE CODE
S. C344081.E

DO NOT SCALE

DIMENSIONS IN MM.



ITEM No.	MATERIAL	PART No.	DESCRIPTION	QTY. PER ASSY.	ASSEMBLY PART No.
2	SILICONE RUBBER (ORANGE)	347711-1	PERIPHERAL SEAL	1	344081-4 (WHITE)
1	NYLON 66	344078-4	2 WAY REC. HSG.	1	344081-3 (BLUE)
2	SILICONE RUBBER (ORANGE)	347711-1	PERIPHERAL SEAL	1	344081-2 (RED)
1	NYLON 66	344078-3	2 WAY REC. HSG.	1	344081-1 (BLACK)
2	SILICONE RUBBER (ORANGE)	347711-1	PERIPHERAL SEAL	1	
1	NYLON 66	344078-2	2 WAY REC. HSG.	1	
2	SILICONE RUBBER (ORANGE)	347711-1	PERIPHERAL SEAL	1	
1	NYLON 66	344078-1	2 WAY REC. HSG.	1	

CUSTOMER DWG FOR REFERENCE ONLY				TOLERANCES UNLESS OTHERWISE STATED				DR. I. JOYSON 24/06/87	
E	SIL. SEAL WAS N.S.R. 5800-10022-98	VS. 1.98		28.11.91	16.1.91	19.5.89	20.7.88	23.2.88	24/06/87
D	ADDED -2, -3 & -4	CS974							
C	ADDED CORE (PICTORIAL CHANGE ONLY)	CS687							
B	UPDATED	CS241							
A	UPDATED	CS008							
D	REL. FOR PROD.	C4755							
REV	APPROVED	ECN	DATE						

© COPYRIGHT 1987 BY AMP OF GREAT BRITAIN LTD. ALL INTERNATIONAL RIGHTS RESERVED. ALL PRODUCTS MAY BE COVERED BY BRITISH AND FOREIGN PATENTS AND/OR PATENTS PENDING.									
NAME				2 WAY RECEPTACLE HSG ASSY ECONOSEAL 3 HIGH CURRENT					
SCALE	LOC	SIZE	DWG. No.	REV	SHEET				
2/1	E	A2	C344081	E	1/1				