



Chipsmall Limited consists of a professional team with an average of over 10 year of expertise in the distribution of electronic components. Based in Hongkong, we have already established firm and mutual-benefit business relationships with customers from,Europe,America and south Asia,supplying obsolete and hard-to-find components to meet their specific needs.

With the principle of "Quality Parts,Customers Priority,Honest Operation,and Considerate Service",our business mainly focus on the distribution of electronic components. Line cards we deal with include Microchip,ALPS,ROHM,Xilinx,Pulse,ON,Everlight and Freescale. Main products comprise IC,Modules,Potentiometer,IC Socket,Relay,Connector.Our parts cover such applications as commercial,industrial, and automotives areas.

We are looking forward to setting up business relationship with you and hope to provide you with the best service and solution. Let us make a better world for our industry!



Contact us

Tel: +86-755-8981 8866 Fax: +86-755-8427 6832

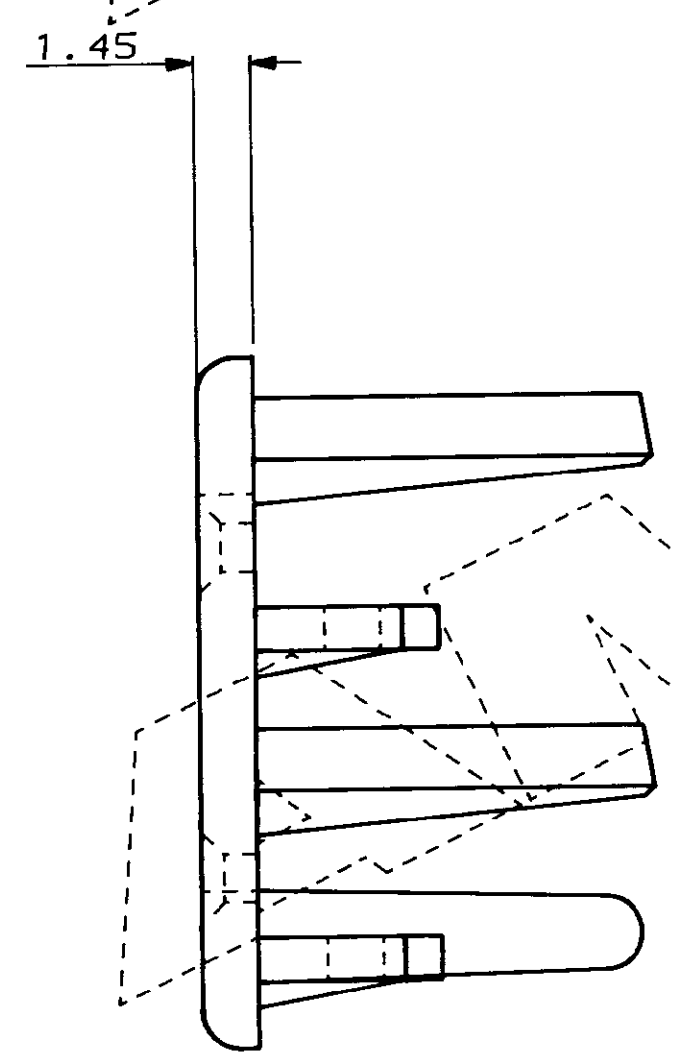
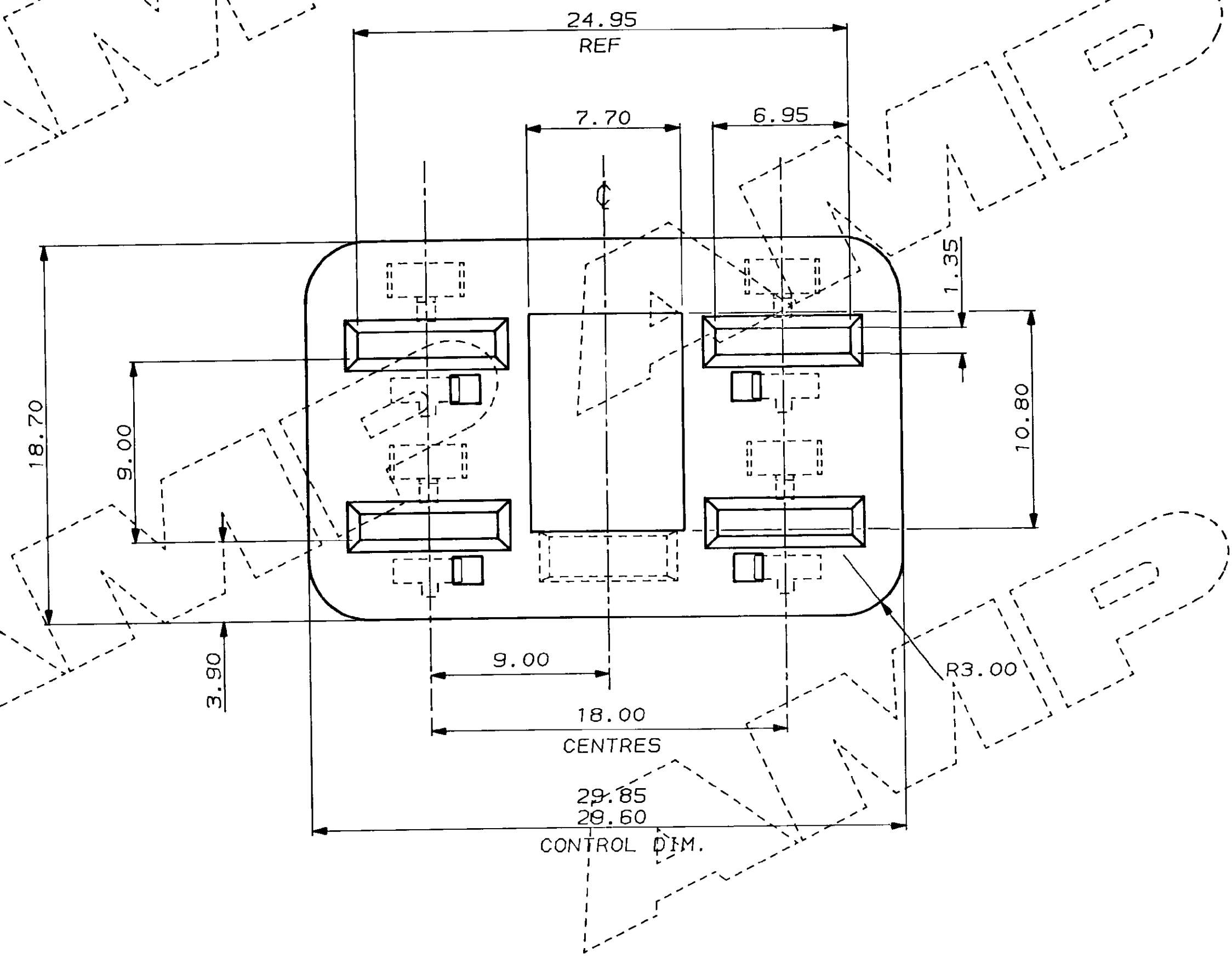
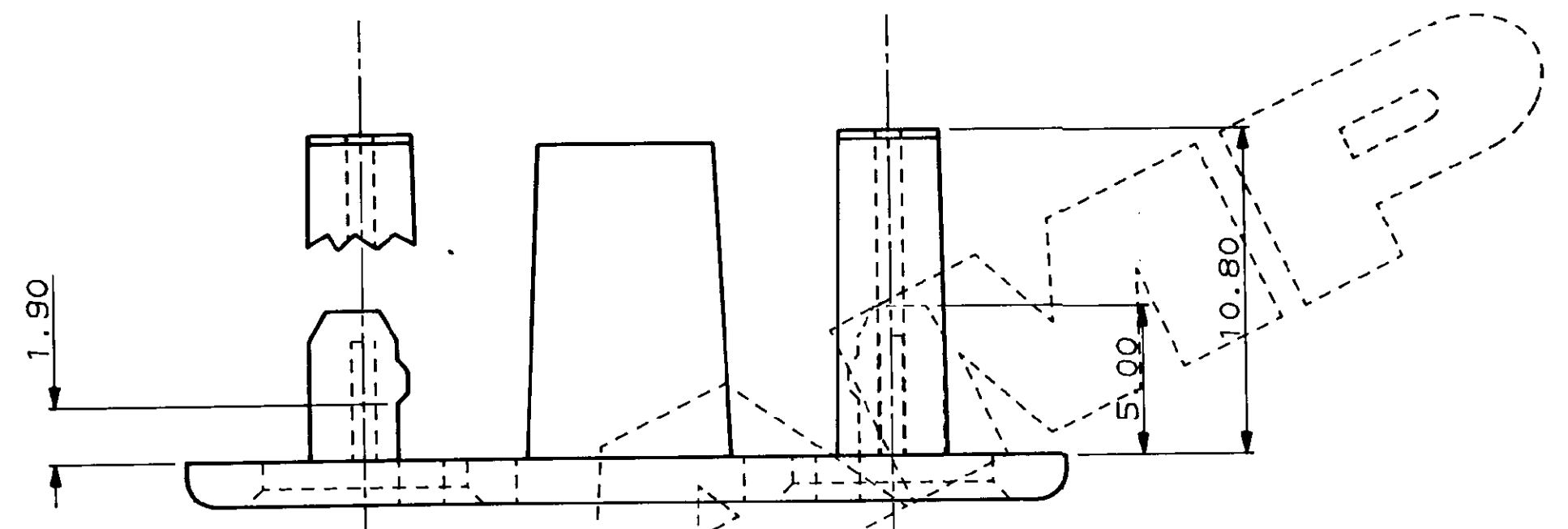
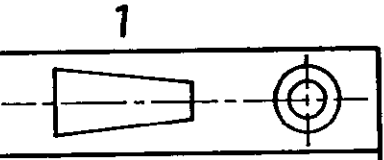
Email & Skype: info@chipsmall.com Web: www.chipsmall.com

Address: A1208, Overseas Decoration Building, #122 Zhenhua RD., Futian, Shenzhen, China



C.A.D. FILE CODE
S.C344087.B

DO NOT SCALE DIMENSIONS IN MM.



WHITE	NYLON 6.6	344087-1
FINISH	MATERIAL	PART NUMBER
CUSTOMER DWG FOR REFERENCE ONLY	© COPYRIGHT 19 87 BY AMP OF GREAT BRITAIN LTD. ALL INTERNATIONAL RIGHTS RESERVED. ALL PRODUCTS MAY BE COVERED BY BRITISH AND FOREIGN PATENTS AND/OR PATENTS PENDING.	RELEASED FOR PUBLICATION 2.6.87
TOLERANCES UNLESS OTHERWISE STATED: DEC ± 0.5 ANGLES ± 1°	DR. R. J. S. 2.6.87	APP. B. J. 2.6.87
ADDED CON. DIM. FINGERS MODIFIED	C5375 28.9.89	NAME A/BACKOUT FOR 4 WAY REC. HSG. ECONOSEAL 3 HIGH CURRENT
UPDATED	C4996 12.7.88	AMP TERMINAL HOUSE STANMORE MIDDX. of Great Britain Ltd.
REL. FOR PROD.	C4891 9.3.88	SCALE LOC SIZE DWG.No.
REV APPROVED ECN DATE	5/1 E A2 C344087	REV SHEET B 1/1