



Chipsmall Limited consists of a professional team with an average of over 10 year of expertise in the distribution of electronic components. Based in Hongkong, we have already established firm and mutual-benefit business relationships with customers from,Europe,America and south Asia,supplying obsolete and hard-to-find components to meet their specific needs.

With the principle of “Quality Parts,Customers Priority,Honest Operation,and Considerate Service”,our business mainly focus on the distribution of electronic components. Line cards we deal with include Microchip,ALPS,ROHM,Xilinx,Pulse,ON,Everlight and Freescale. Main products comprise IC,Modules,Potentiometer,IC Socket,Relay,Connector.Our parts cover such applications as commercial,industrial, and automotives areas.

We are looking forward to setting up business relationship with you and hope to provide you with the best service and solution. Let us make a better world for our industry!



Contact us

Tel: +86-755-8981 8866 Fax: +86-755-8427 6832

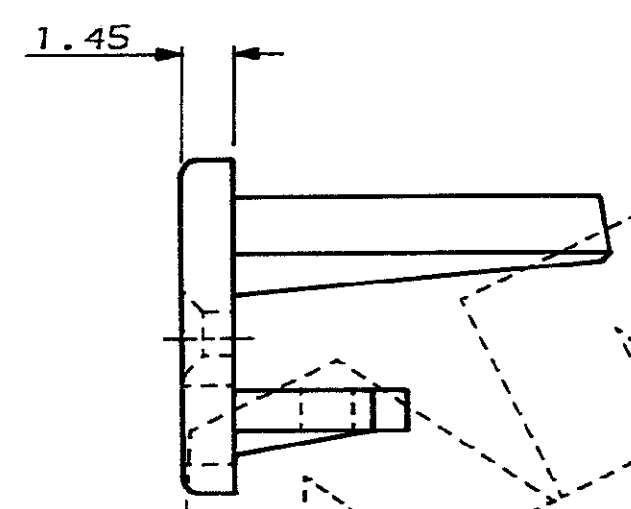
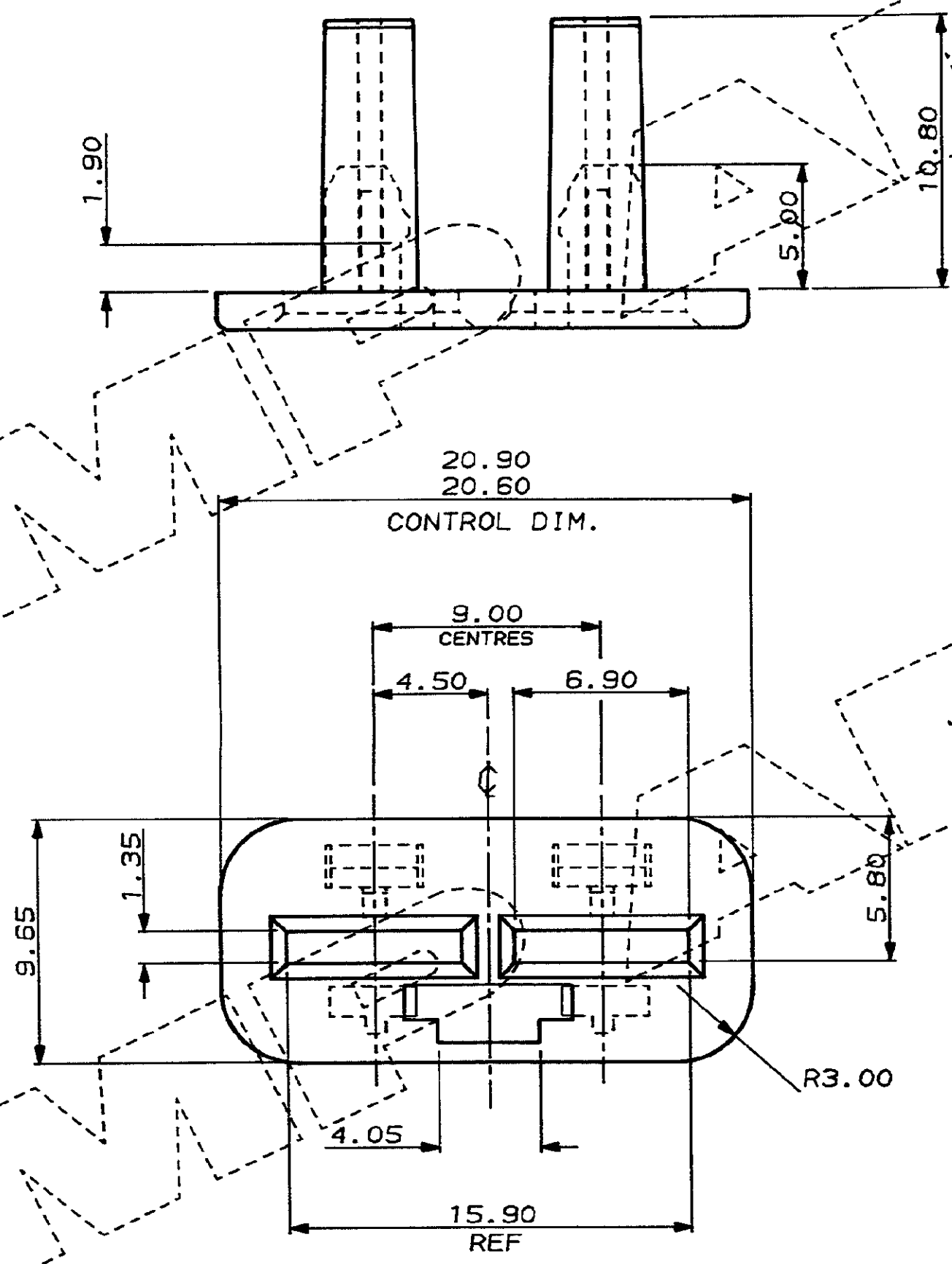
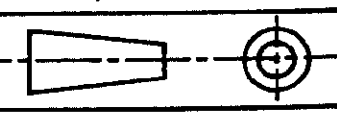
Email & Skype: info@chipsmall.com Web: www.chipsmall.com

Address: A1208, Overseas Decoration Building, #122 Zhenhua RD., Futian, Shenzhen, China



C.A.D. FILE CODE
S.C344089.B

DO NOT SCALE DIMENSIONS IN MM.



WHITE	NYLON 6.6	344089-1
FINISH	MATERIAL	PART NUMBER
CUSTOMER DWG FOR REFERENCE ONLY	© COPYRIGHT 1987 BY AMP OF GREAT BRITAIN LTD. ALL INTERNATIONAL RIGHTS RESERVED. ALL PRODUCTS MAY BE COVERED BY BRITISH AND FOREIGN PATENTS AND/OR PATENTS PENDING.	RELEASED FOR PUBLICATION 2.6.87
-	TOLERANCES UNLESS OTHERWISE STATED :	DR. R. J. S. 2.6.87
-	DEC ± 0.5	CH. R. S. 2.6.87 APP. B. J. 2.6.87
-	ANGLES ± 1°	AMP TERMINAL HOUSE of Great Britain Ltd. STANMORE MIDDX.
B UPDATED	CS241 12.6.88	NAME A/BACK FOR 2 WAY REC. HSG. ECONOSEAL 3 HIGH CURRENT
A UPDATED	C4888 12.7.88	SCALE LOG SIZE DWG.No.
O REL. FOR PROD.	C4891 8/3/88	5/1 E A2 C344089
REV APPROVED	ECN DATE	REV SHEET B 1/1