



Chipsmall Limited consists of a professional team with an average of over 10 year of expertise in the distribution of electronic components. Based in Hongkong, we have already established firm and mutual-benefit business relationships with customers from,Europe,America and south Asia,supplying obsolete and hard-to-find components to meet their specific needs.

With the principle of “Quality Parts,Customers Priority,Honest Operation,and Considerate Service”,our business mainly focus on the distribution of electronic components. Line cards we deal with include Microchip,ALPS,ROHM,Xilinx,Pulse,ON,Everlight and Freescale. Main products comprise IC,Modules,Potentiometer,IC Socket,Relay,Connector.Our parts cover such applications as commercial,industrial, and automotives areas.

We are looking forward to setting up business relationship with you and hope to provide you with the best service and solution. Let us make a better world for our industry!



Contact us

Tel: +86-755-8981 8866 Fax: +86-755-8427 6832

Email & Skype: info@chipsmall.com Web: www.chipsmall.com

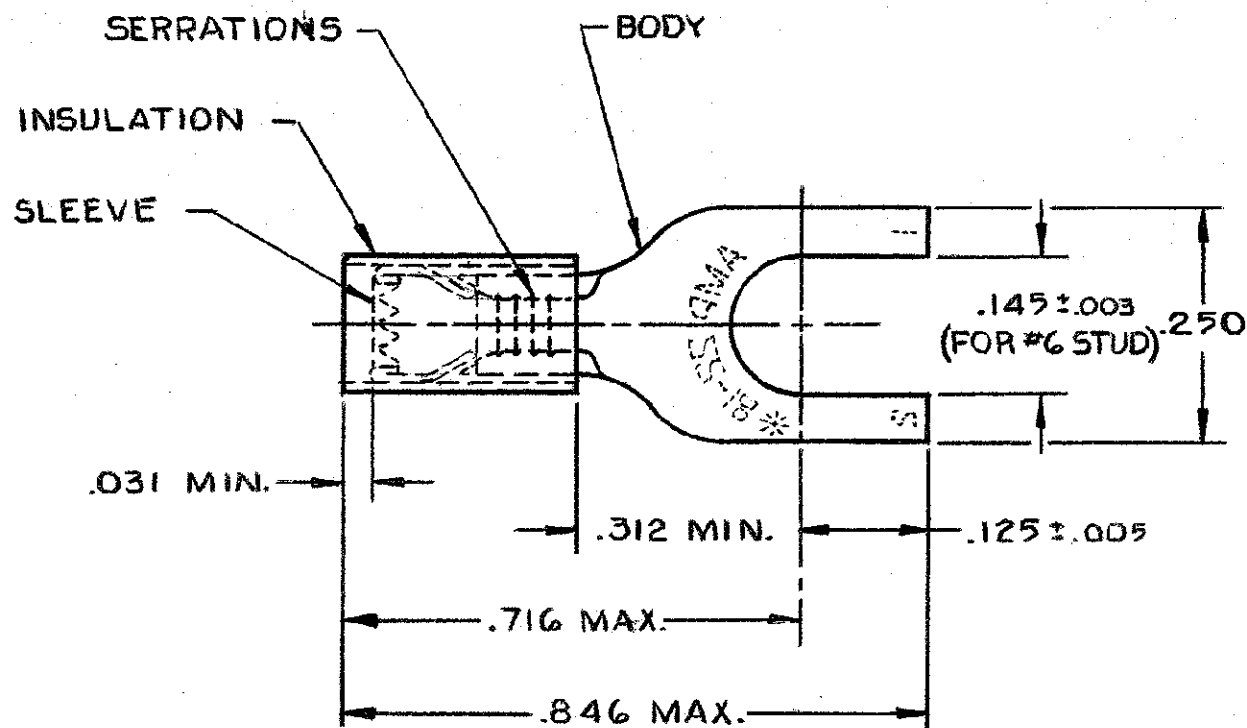
Address: A1208, Overseas Decoration Building, #122 Zhenhua RD., Futian, Shenzhen, China



THIS DRAWING IS UNPUBLISHED. RELEASED FOR PUBLICATION

© COPYRIGHT — BY —

REVISIONS						
P	F	ZONE	LTR	DESCRIPTION	DATE	APPROVED
			M1	REVISED PER ECO-11-005294	19APR11	HMR



- 1 WIRE INSULATION DIA. = .105-.140
- 2 TONGUE MATERIAL THK. = .031±.002
- 3 22-18 MARKING FOR MILITARY, COMMERCIAL RANGE 22-16
- 4 TIN PLATE (ASTM B 595) .000100 MIN THK.
- 5 PRELIMINARY - NOT FOR PRODUCTION
- 6 SUPERSEDED BY 8-34541-1

OBSELETE	OBSELETE	COLOR	QTY.	DESCRIPTION	PART NO
		RED	50	LOOSE PIECE, BAG	8-34541-5
		RED	100	LOOSE PIECE, BOX	8-34541-1
		BLACK	5,000	34541-1 ON TAPE, REEL	2-34541-4
		RED	100	ON TAPE, SM. BOX	2-34541-3
		RED	1,000	ON TAPE, LG. BOX	2-34541-2
		RED	5,000	34541 ON TAPE, REEL	2-34541-1
		BLACK	#	LOOSE PIECE	34541-1
		RED	#	LOOSE PIECE	34541

UNLESS OTHERWISE SPECIFIED DIMENSIONS ARE IN INCHES. TOLERANCES ON: DECIMALS ±.008 ANGLES ±		CONTRACT NO DR UTA/RFB 9-24-85		TE Connectivity	
MATERIAL INSULATION: NYLON - RED BODY & SLEEVE: COPPER PER (ASTM B 152)		CHK Mutyahong ARPD Maitron			
FINISH BODY: 4		DSGN APPD		SIZE B	FSCM. NO 00779
		OTHER APPD		DRAWING NO 34541	SHEET 1 OF 1
				SCALE NTS	

CUSTOMER DRAWING