



Chipsmall Limited consists of a professional team with an average of over 10 year of expertise in the distribution of electronic components. Based in Hongkong, we have already established firm and mutual-benefit business relationships with customers from,Europe,America and south Asia,supplying obsolete and hard-to-find components to meet their specific needs.

With the principle of “Quality Parts,Customers Priority,Honest Operation,and Considerate Service”,our business mainly focus on the distribution of electronic components. Line cards we deal with include Microchip,ALPS,ROHM,Xilinx,Pulse,ON,Everlight and Freescale. Main products comprise IC,Modules,Potentiometer,IC Socket,Relay,Connector.Our parts cover such applications as commercial,industrial, and automotives areas.

We are looking forward to setting up business relationship with you and hope to provide you with the best service and solution. Let us make a better world for our industry!



Contact us

Tel: +86-755-8981 8866 Fax: +86-755-8427 6832

Email & Skype: info@chipsmall.com Web: www.chipsmall.com

Address: A1208, Overseas Decoration Building, #122 Zhenhua RD., Futian, Shenzhen, China



Instructions for the installation of 3458 Locator Plate Riser Block

General:

The 3458 Locator Plate Riser Block is used with the 3316 Universal Press for the purpose of raising 3443-XX Scotchflex Locator Plates (for controlled pitch cable) to the same height as exists on other Scotchflex assembly presses. The standard 3442-1A platen supplied with the 3316 Universal Press will handle most Scotchflex connectors. Platens required for the assembly of other Scotchflex connector are available through your Scotchflex representative.

Installation:

The 3458 Locator Plate Riser Block mounts onto the top surface of the 3316 Universal Press base and is anchored in place with two slotted captive screws (Figure 1) which should be tightened down firmly with a screwdriver.

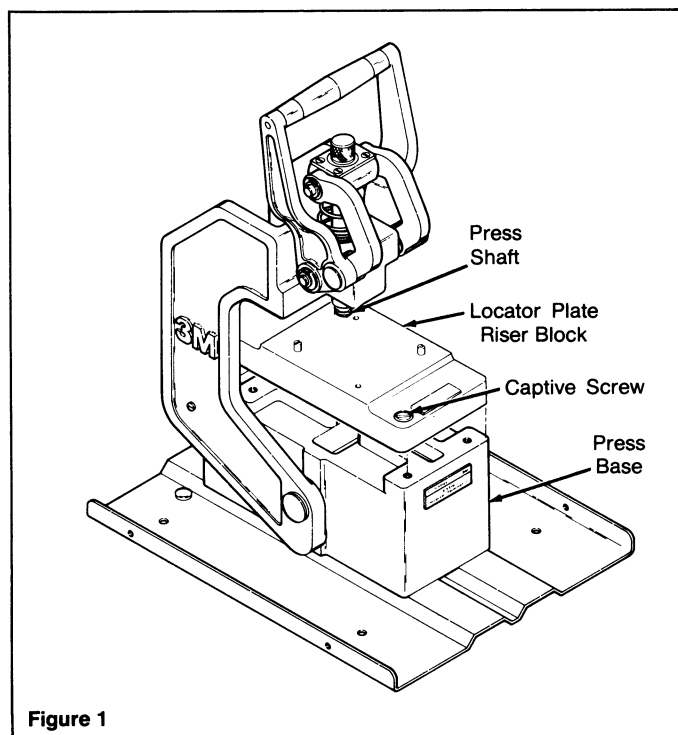


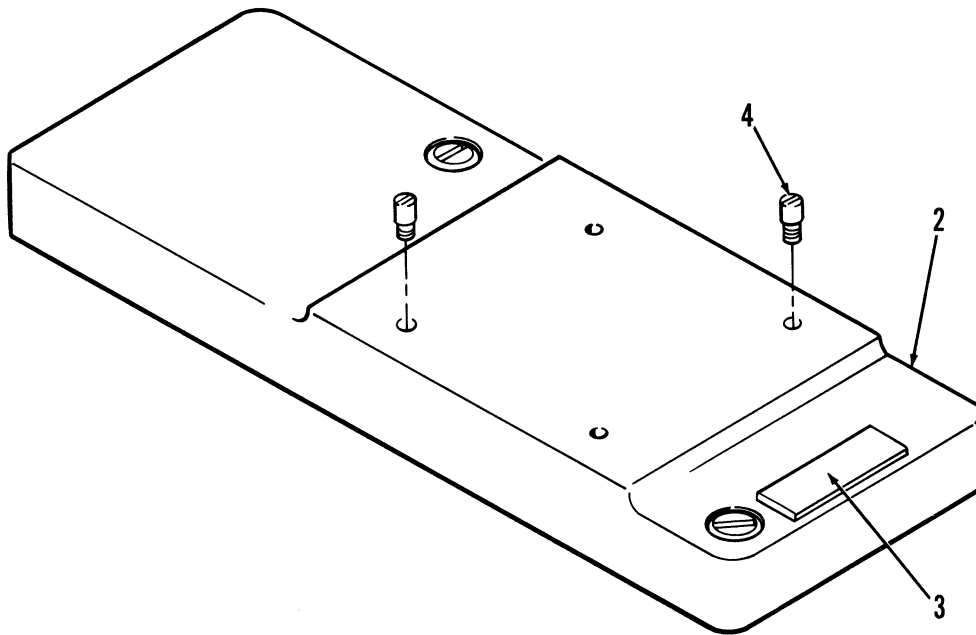
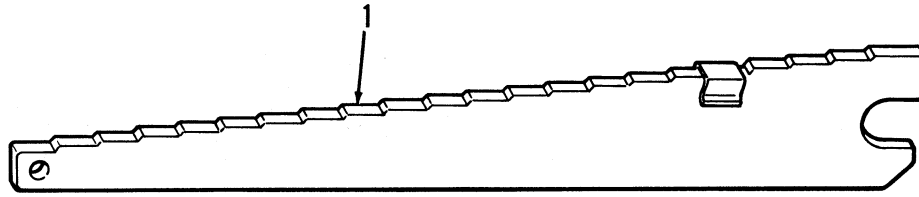
Figure 1

Shut Height Adjustment:

The 3436-1A Shut Height Gauge is supplied with the Locator Plate Riser Block. Refer to Instructions for the particular connector being assembled for:

- the correct placement of gauge
- the shut height (Reference setting for 3335 Press)

You are now ready to install a Locator Plate for the appropriate connector being assembled.



Item No.	Part No.	Description
1	78-8022-2014-1	SHUT HEIGHT GAUGE
2	78-8041-2598-3	FLAT CABLE BLOCK
3	78-8041-4380-4	LABEL
4	78-8006-5362-4	PRESS STUD

Important Notice to Purchaser:

All statements, technical information and recommendations contained herein are based on tests we believe to be reliable, but the accuracy or completeness thereof is not guaranteed, and the following is made in lieu of all warranties expressed or implied:

Seller's and manufacturer's only obligation shall be to replace such quantity of the product proved to be defective. Neither seller nor manufacturer shall be liable for any injury, loss or damage, direct or consequential, arising out of the use or the inability to use the product. Before using, user shall determine the suitability of the product for his intended use, and user assumes all risk and liability whatsoever in connection therewith.

No statement or recommendation not contained herein shall have any force or effect unless in an agreement signed by officers of seller and manufacturer.