



Chipsmall Limited consists of a professional team with an average of over 10 year of expertise in the distribution of electronic components. Based in Hongkong, we have already established firm and mutual-benefit business relationships with customers from,Europe,America and south Asia,supplying obsolete and hard-to-find components to meet their specific needs.

With the principle of “Quality Parts,Customers Priority,Honest Operation,and Considerate Service”,our business mainly focus on the distribution of electronic components. Line cards we deal with include Microchip,ALPS,ROHM,Xilinx,Pulse,ON,Everlight and Freescale. Main products comprise IC,Modules,Potentiometer,IC Socket,Relay,Connector.Our parts cover such applications as commercial,industrial, and automotives areas.

We are looking forward to setting up business relationship with you and hope to provide you with the best service and solution. Let us make a better world for our industry!



Contact us

Tel: +86-755-8981 8866 Fax: +86-755-8427 6832

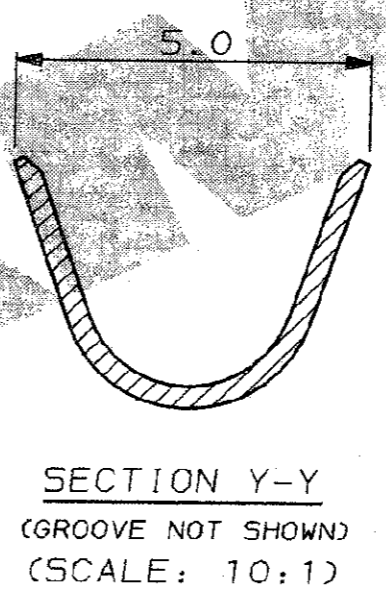
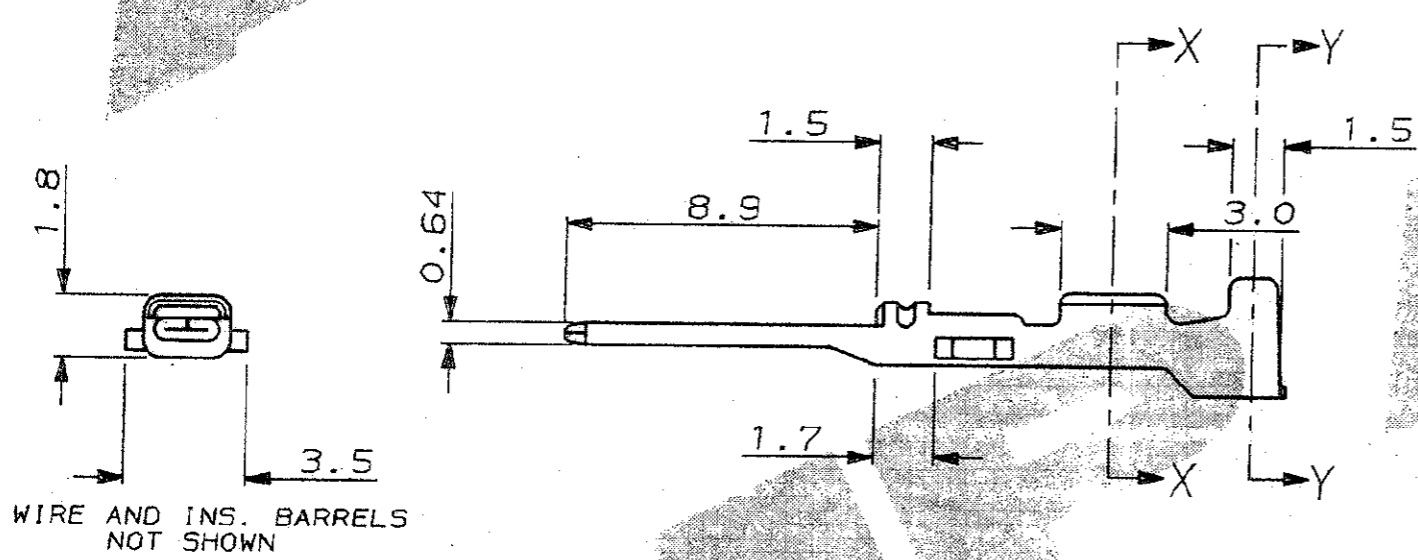
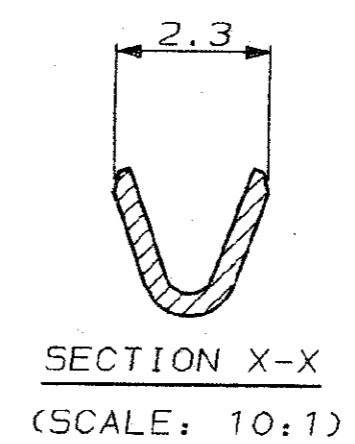
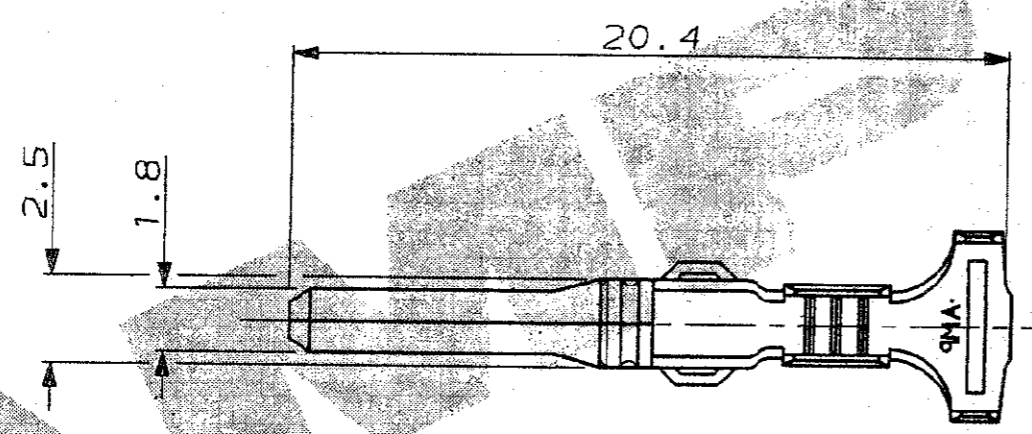
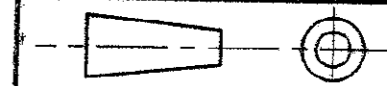
Email & Skype: info@chipsmall.com Web: www.chipsmall.com

Address: A1208, Overseas Decoration Building, #122 Zhenhua RD., Futian, Shenzhen, China



C.A.D. FILE CODE
S. C345809.A

DO NOT SCALE DIMENSIONS IN MM.



WIRE RANGE: 0.2 TO 0.5 mm²
FOR SEALED AND UNSEALED APPLICATIONS, SINGLE WIRES ONLY MUST BE USED.

INSULATION RANGE:
FOR UNSEALED APPLICATIONS, WIRES OF 1.1 TO 1.8 mm INSULATION DIA. MAY BE USED.
FOR SEALED APPLICATIONS, ONLY WIRES OF 1.6 TO 1.8 mm INS. DIA. MAY BE USED WITH SEAL PN.345791-1.

PRE-TINNED		BRASS		345809-1	
FINISH		MATERIAL		PART NUMBER	
CUSTOMER DWG FOR REFERENCE ONLY		© COPYRIGHT 1993 BY AMP OF GREAT BRITAIN LTD. ALL INTERNATIONAL RIGHTS RESERVED. ALL PRODUCTS MAY BE COVERED BY BRITISH AND FOREIGN PATENTS AND/OR PATENTS PENDING.		RELEASED FOR PUBLICATION 02 APR 1993	
-		TOLERANCES UNLESS OTHERWISE STATED DEC ± 0.5 ANGLES ± 1°		DR. R.J.S. 2.4.93 CH. R.R. <i>Ruogoll</i> APP. J.P.	
-		NAME .070 TAB ECONOSEAL 3		AMP of Great Britain Ltd. TERMINAL HOUSE STANNORE MIDDY.	
A RELEASED 6800-004-01 TL D2-01		SCALE	LOC	SIZE	DWG. No.
1 PRELIM. ISSUE E800-004-01-93 2.4.93		5/1	E	A3	C345809
REV MODIFICATION CHANGE No. DATE		REV		SHEET	
		A		1/1	