



Chipsmall Limited consists of a professional team with an average of over 10 year of expertise in the distribution of electronic components. Based in Hongkong, we have already established firm and mutual-benefit business relationships with customers from,Europe,America and south Asia,supplying obsolete and hard-to-find components to meet their specific needs.

With the principle of “Quality Parts,Customers Priority,Honest Operation,and Considerate Service”,our business mainly focus on the distribution of electronic components. Line cards we deal with include Microchip,ALPS,ROHM,Xilinx,Pulse,ON,Everlight and Freescale. Main products comprise IC,Modules,Potentiometer,IC Socket,Relay,Connector.Our parts cover such applications as commercial,industrial, and automotives areas.

We are looking forward to setting up business relationship with you and hope to provide you with the best service and solution. Let us make a better world for our industry!



Contact us

Tel: +86-755-8981 8866 Fax: +86-755-8427 6832

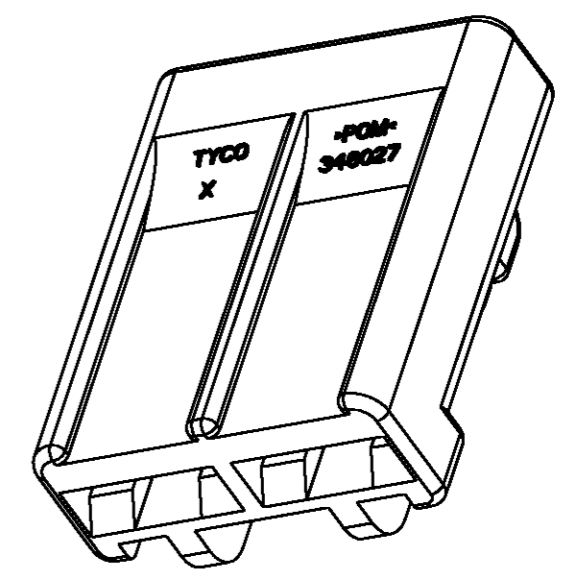
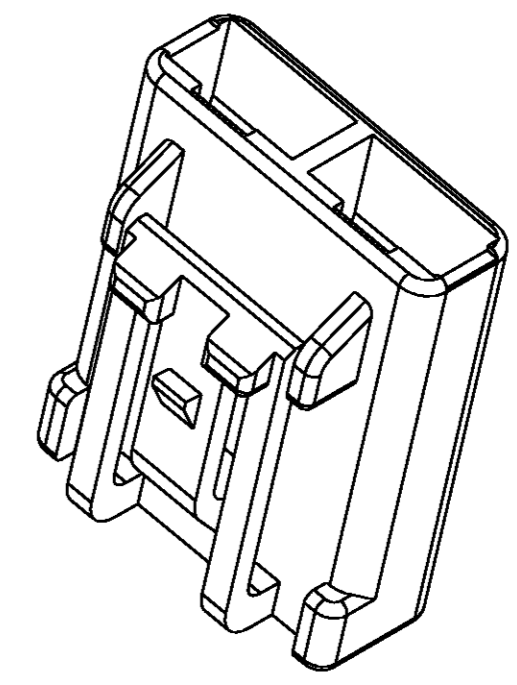
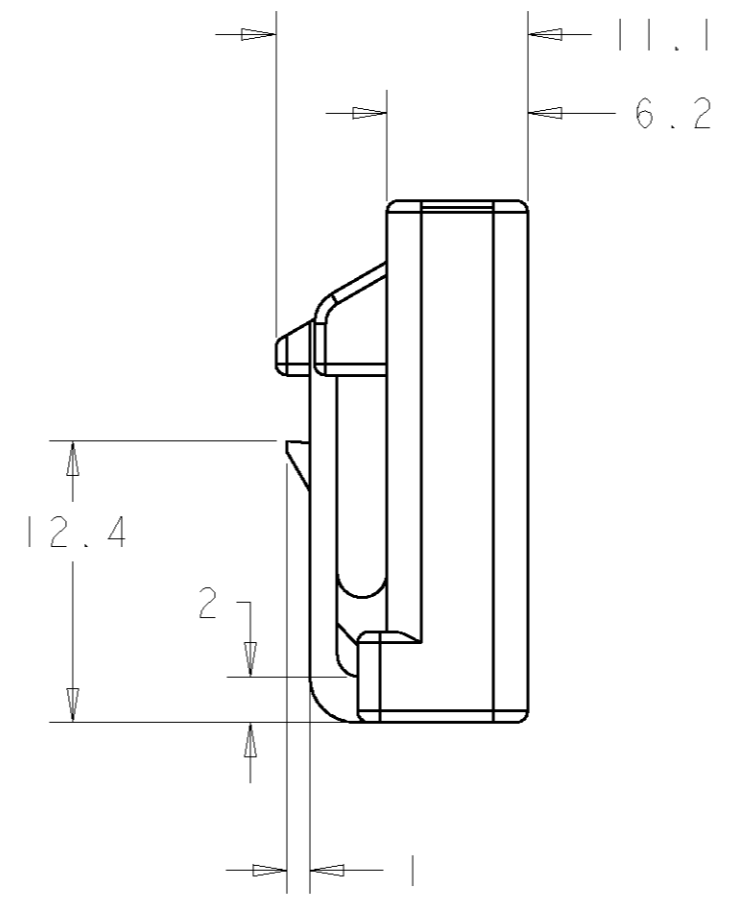
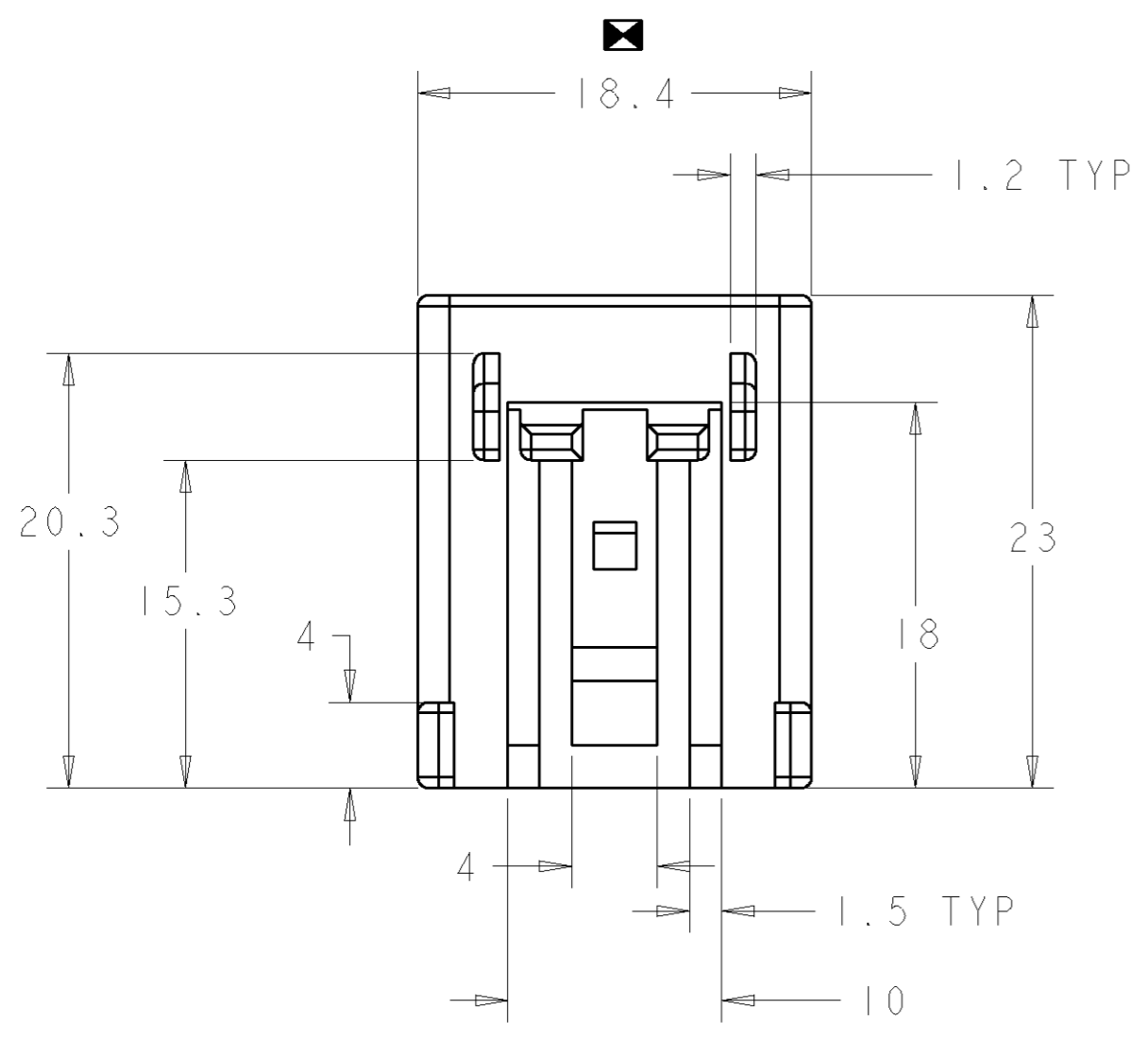
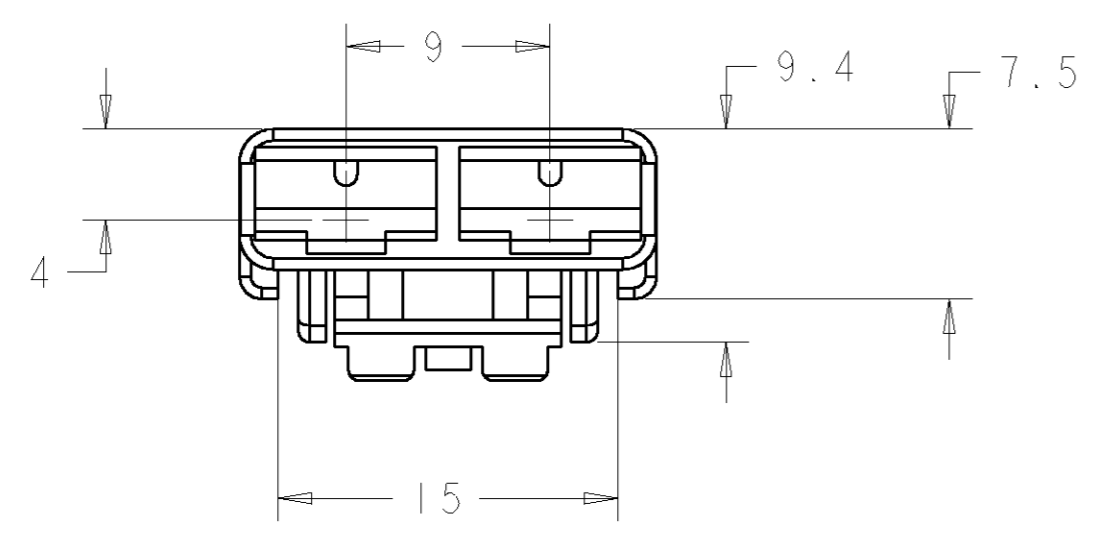
Email & Skype: info@chipsmall.com Web: www.chipsmall.com

Address: A1208, Overseas Decoration Building, #122 Zhenhua RD., Futian, Shenzhen, China



THIS DRAWING IS UNPUBLISHED. RELEASED FOR PUBLICATION 20
 © COPYRIGHT BY ALL RIGHTS RESERVED.

LOC		DIST		REVISIONS			
P	LTR	DESCRIPTION	DATE	DWN	APVD		
E	B	E1	REVISD PER ECO-11-005150	27APR11	RK	HMR	



NOTES:

1. THIS HOUSING ACCOMODATES TWO FASTIN-FASTON RECEPTACLES
TE CONNECTIVITY PART NO 42100. FORD PART NO SL 100.65
2. THIS HOUSING MATES WITH FUEL PUMP IN-MOULDED
 TAB HEADER ASSEMBLY - FORD PART NO FIDU-9350-AA
3. DENOTES CONTROL DIMENSION FOR SPC PURPOSES

YELLOW	HOSTAFORM CI3031 XF	346027-2
BLACK	HOSTAFORM C9021	346027-1
COLOUR	MATERIAL	PART NO

DIMENSIONS: mm 	TOLERANCES UNLESS OTHERWISE SPECIFIED: 0 PLC ± 1 PLC ±0.5 2 PLC ±0.5 3 PLC ±0.5 4 PLC ± ANGLES ±2 FINISH	DWN M. GREENER 06AUG2004	
		CHK M. HARRIS 06AUG2004	
MATERIAL SEE TABLE		APVD B. BAKER 06AUG2004	SIZE A2
		PRODUCT SPEC	CAGE CODE 00779
		APPLICATION SPEC	DRAWING NO 346027
		WEIGHT	RESTRICTED TO
		CUSTOMER DRAWING	SCALE 3:1 SHEET 1 OF 1 REV E1