



Chipsmall Limited consists of a professional team with an average of over 10 year of expertise in the distribution of electronic components. Based in Hongkong, we have already established firm and mutual-benefit business relationships with customers from,Europe,America and south Asia,supplying obsolete and hard-to-find components to meet their specific needs.

With the principle of “Quality Parts,Customers Priority,Honest Operation,and Considerate Service”,our business mainly focus on the distribution of electronic components. Line cards we deal with include Microchip,ALPS,ROHM,Xilinx,Pulse,ON,Everlight and Freescale. Main products comprise IC,Modules,Potentiometer,IC Socket,Relay,Connector.Our parts cover such applications as commercial,industrial, and automotives areas.

We are looking forward to setting up business relationship with you and hope to provide you with the best service and solution. Let us make a better world for our industry!



Contact us

Tel: +86-755-8981 8866 Fax: +86-755-8427 6832

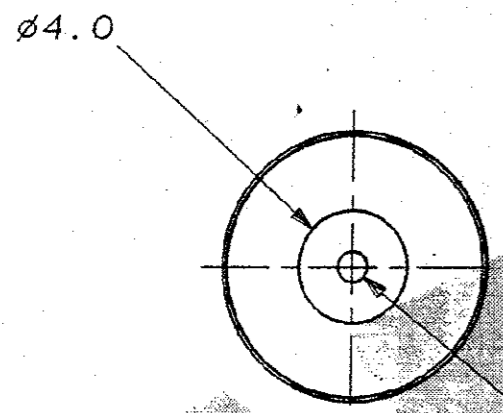
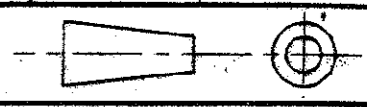
Email & Skype: info@chipsmall.com Web: www.chipsmall.com

Address: A1208, Overseas Decoration Building, #122 Zhenhua RD., Futian, Shenzhen, China

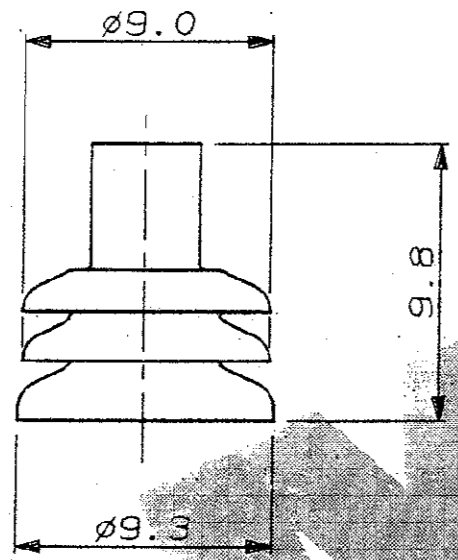
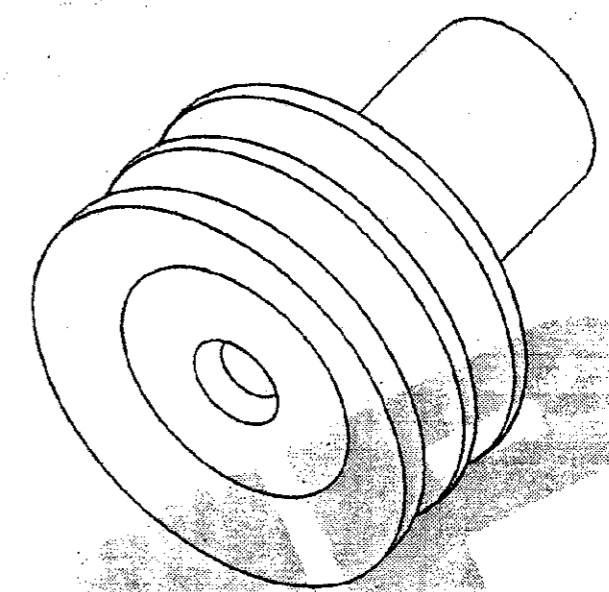


C.A.D. FILE CODE
S. C347707.A


DO NOT SCALE DIMENSIONS IN MM.



BORE (SEE NOTE ①)



① THIS SEAL IS SUITABLE FOR 0.5 TO 1.5 mm² WIRE WITH INSULATION DIAMETER OF 1.6 TO 2.4 mm.

ORANGE SELF-LUBRICATING SILICONE RUBBER		347707-1	
FINISH	MATERIAL	PART NUMBER	
CUSTOMER DWG FOR REFERENCE ONLY		RELEASED FOR PUBLICATION 17 SEP 1993	
TOLERANCES UNLESS OTHERWISE STATED: DEC ± 0.5 ANGLES ± 1°		DR. R.J.S.	17.9.93
NAME		CH. K.W.	APP. J.P.
A RELEASED E800-0091-01 14.03.01		 TERMINAL HOUSE STAMFORD MIDDX.	
1' PRELIM. ISSUE E800-0091-93 17.9.93	SCALE 4/1	LOC E	SHEET 1/1
REV MODIFICATION CHANGE No. DATE	SIZE A3	DWG.No. C347707	REV A