



Chipsmall Limited consists of a professional team with an average of over 10 year of expertise in the distribution of electronic components. Based in Hongkong, we have already established firm and mutual-benefit business relationships with customers from,Europe,America and south Asia,supplying obsolete and hard-to-find components to meet their specific needs.

With the principle of "Quality Parts,Customers Priority,Honest Operation,and Considerate Service",our business mainly focus on the distribution of electronic components. Line cards we deal with include Microchip,ALPS,ROHM,Xilinx,Pulse,ON,Everlight and Freescale. Main products comprise IC,Modules,Potentiometer,IC Socket,Relay,Connector.Our parts cover such applications as commercial,industrial, and automotives areas.

We are looking forward to setting up business relationship with you and hope to provide you with the best service and solution. Let us make a better world for our industry!



## Contact us

Tel: +86-755-8981 8866 Fax: +86-755-8427 6832

Email & Skype: info@chipsmall.com Web: www.chipsmall.com

Address: A1208, Overseas Decoration Building, #122 Zhenhua RD., Futian, Shenzhen, China



THIS DRAWING IS UNPUBLISHED.

RELEASED FOR PUBLICATION

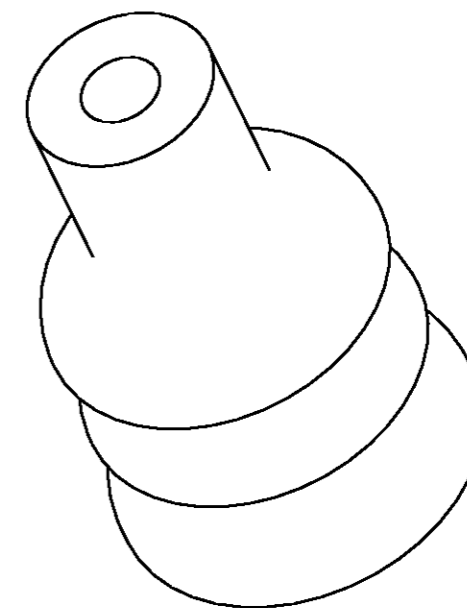
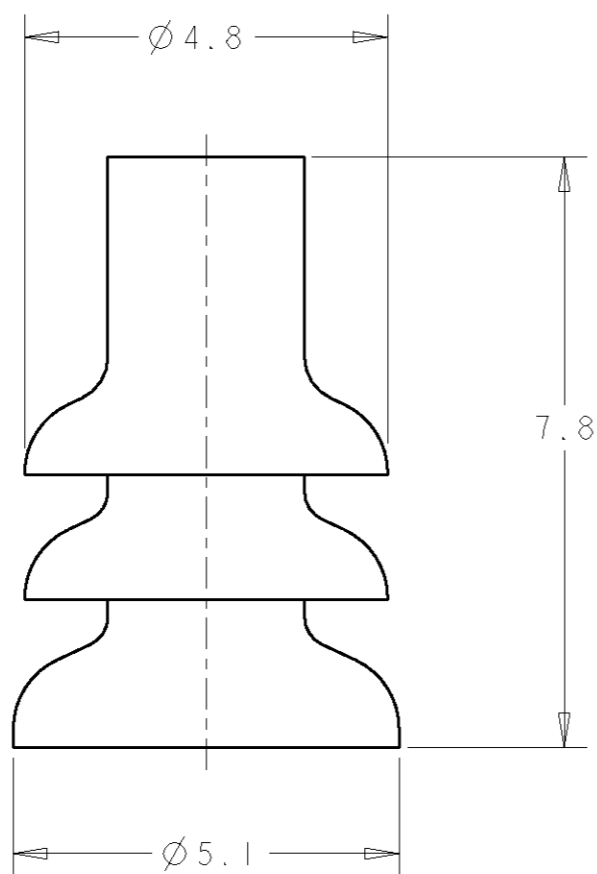
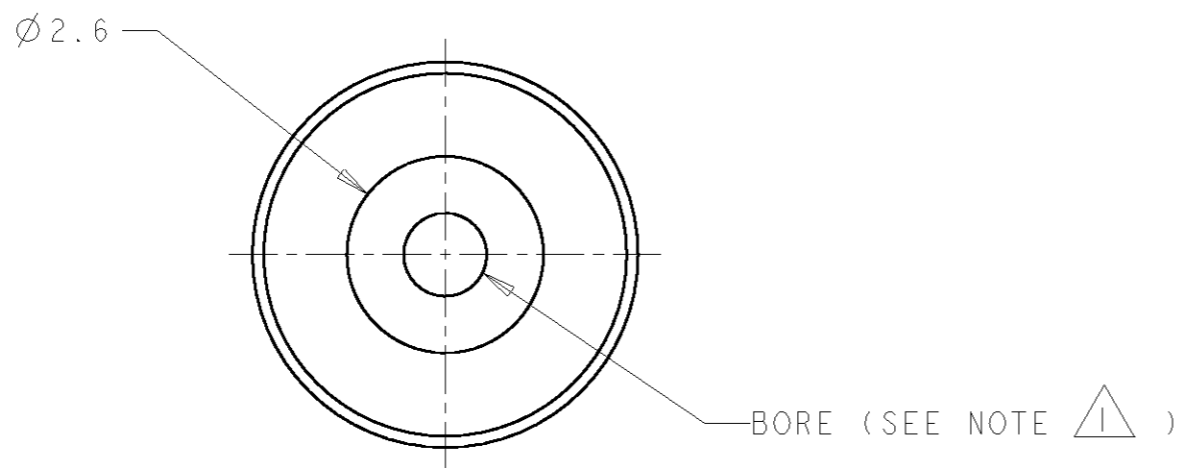
20

© COPYRIGHT 20

BY -

ALL RIGHTS RESERVED.

LOC	DIST	REVISIONS			
P	LTR	DESCRIPTION	DATE	DWN	APVD
E	B+	C1	REVISED PER ECO-11-005150	28MAR11	RK HMR



SCALE 10:1

NOTES :

THIS SEAL IS SUITABLE FOR WIRE RANGE 0.5 TO 1.5 mm AND INSULATION DIAMETERS OF 1.6 TO 2.4 mm.

GREEN	SELF-LUBRICATING SILICON RUBBER	347874-1
<b>COLOUR</b>	<b>MATERIAL</b>	<b>PART NUMBER</b>

DIMENSIONS: mm 	TOLERANCES UNLESS OTHERWISE SPECIFIED: LINEAR ±0.5 0 PLC ± 1 PLC ±0.4 2 PLC ±0.08 3 PLC ±0.005 4 PLC ±0.0001 ANGLES ±1	DWN R.J.S 25.8.93	TE Connectivity
		CHK R.R 25.8.93	
MATERIAL -	FINISH -	APVD J.P 25.8.93	
		PRODUCT SPEC -	SIZE A3
		APPLICATION SPEC -	CAGE CODE 00779
		WEIGHT -	DRAWING NO C=347874
		CUSTOMER DRAWING	RESTRICTED TO -
		SCALE 10:1	SHEET 1 OF 1
			REV C1