



Chipsmall Limited consists of a professional team with an average of over 10 year of expertise in the distribution of electronic components. Based in Hongkong, we have already established firm and mutual-benefit business relationships with customers from,Europe,America and south Asia,supplying obsolete and hard-to-find components to meet their specific needs.

With the principle of “Quality Parts,Customers Priority,Honest Operation,and Considerate Service”,our business mainly focus on the distribution of electronic components. Line cards we deal with include Microchip,ALPS,ROHM,Xilinx,Pulse,ON,Everlight and Freescale. Main products comprise IC,Modules,Potentiometer,IC Socket,Relay,Connector.Our parts cover such applications as commercial,industrial, and automotives areas.

We are looking forward to setting up business relationship with you and hope to provide you with the best service and solution. Let us make a better world for our industry!



Contact us

Tel: +86-755-8981 8866 Fax: +86-755-8427 6832

Email & Skype: info@chipsmall.com Web: www.chipsmall.com

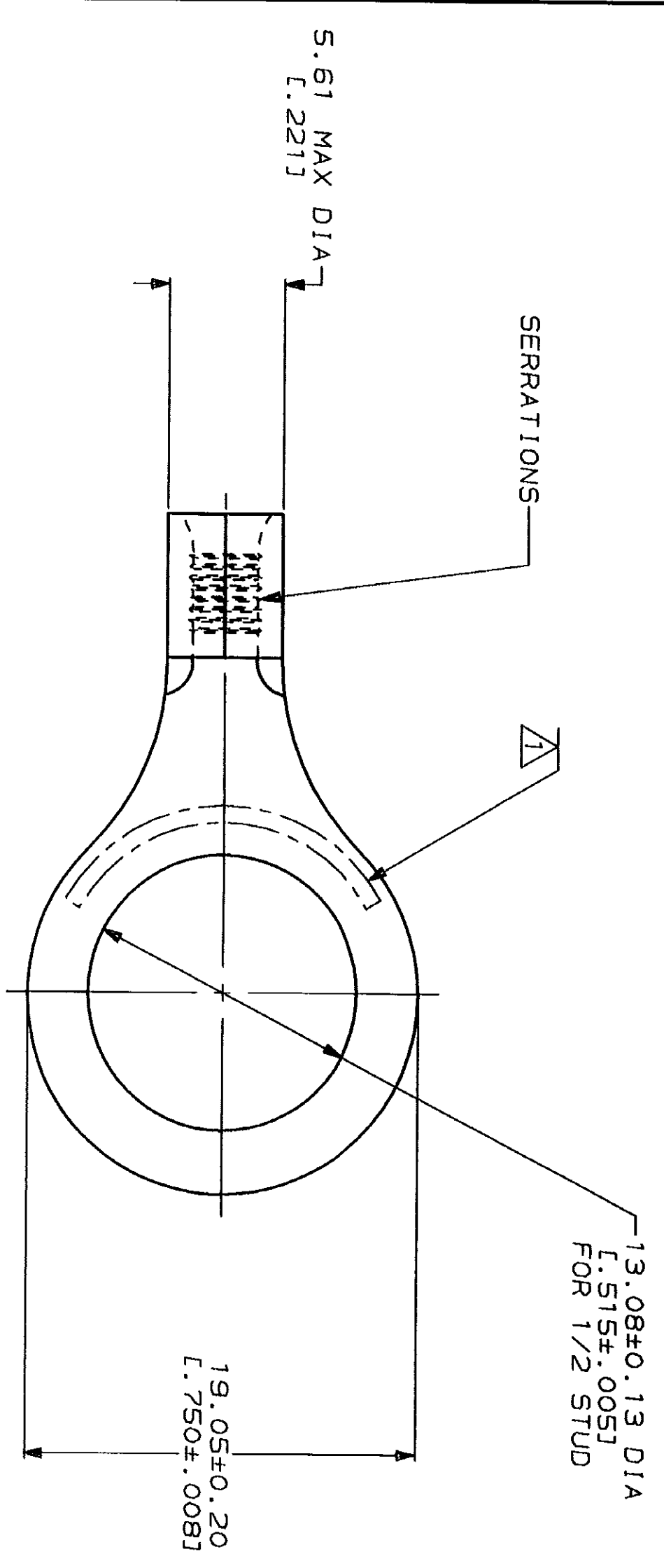
Address: A1208, Overseas Decoration Building, #122 Zhenhua RD., Futian, Shenzhen, China



LOC	DIST	REV	DESCRIPTION	DATE	APPD
G	14	A	REV & REDRAWN PER 0720-0008-93	2-1-93	18 DAP

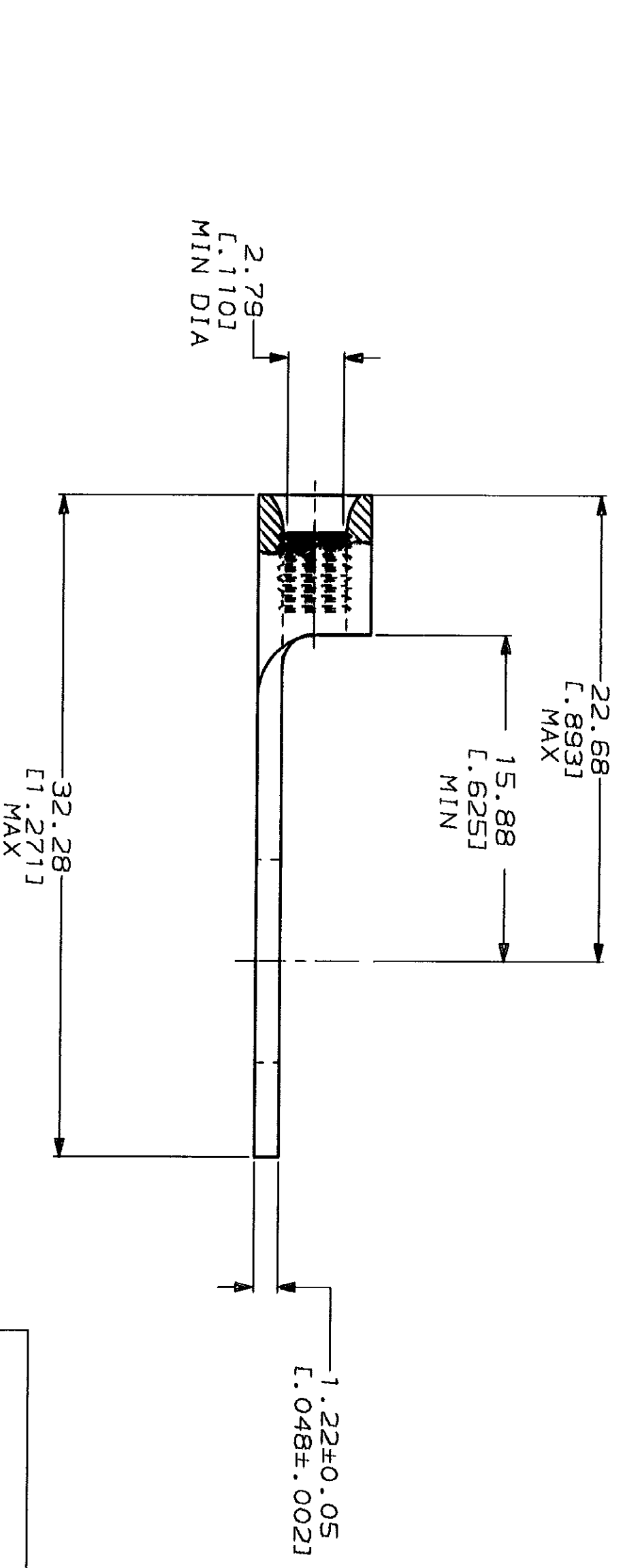
REV	DESCRIPTION	DATE	APPD
1	REV & REDRAWN PER 0720-0008-93	2-1-93	18 DAP

METPRIG
DIMENSIONS LISTED IN MM [INCHES]



AMP WIRE RANGE	UL Listed E13288
16-14HD AWG STRANDED	16-14HD AWG STRANDED
LR7189 Certified	MILITARY P/N AND CLASS
NOT CERTIFIED	NOT APPLICABLE

△ STAMP AMP 16-14HD* APPROX AS SHOWN



**AMP INCORPORATED
CUSTOMER SERVICE SYSTEMS**

FOR ADDITIONAL PRODUCT INFORMATION OR COPIES OF DRAWINGS AND TECHNICAL DOCUMENTS
PRODUCT INFORMATION CENTER
1-800-522-6752

FOR APPLICATION TOOLING INFORMATION
TOOLING ASSISTANCE CENTER
1-800-722-1111

FOR ORDER ENTRY
1-800-526-5142

MAX RECOMMENDED OPERATING TEMPERATURE: 170°C MAX
VOLTAGE RATING: NOT APPLICABLE
WIRE CROSS SECTIONAL AREA RANGE: 1.04-2.62mm² [2,050-5,180] CIR MILS STRANDED

DO NOT SCALE PRINT. UNLESS SPECIFIED DIMENSIONS IN mm - FINISHES - TOLERANCES ON: 1. PLC DEC ± 2. PLC DEC ± 3. PLC DEC ± ANGLES

FINISH: TIN PLATE
0.00254 [0.00100] MIN THK PER MIL-T-10727

AMP 1471-6 REV 3-92

DR 2-1-93 TA BRINKMAN	NAME AMP AMP Incorporated Harrisburg, PA 17105-3608
CHK 2-1-93 DA PATTERSON	PART NO 34830
APPD 2-1-93 DE MILLER	TERMINAL, RING TONGUE, HEAVY DUTY, BUDGET
APPD 2-1-93 JL MECKLEY	SIZE CAGE CODE 00779 DRAWING NO G-34830
PRODUCT SPEC	SCALE 4:1
APPLICATION SPEC	SHEET 1 OF 1
WEIGHT	CUSTOMER DRAWING