



Chipsmall Limited consists of a professional team with an average of over 10 year of expertise in the distribution of electronic components. Based in Hongkong, we have already established firm and mutual-benefit business relationships with customers from,Europe,America and south Asia,supplying obsolete and hard-to-find components to meet their specific needs.

With the principle of “Quality Parts,Customers Priority,Honest Operation,and Considerate Service”,our business mainly focus on the distribution of electronic components. Line cards we deal with include Microchip,ALPS,ROHM,Xilinx,Pulse,ON,Everlight and Freescale. Main products comprise IC,Modules,Potentiometer,IC Socket,Relay,Connector.Our parts cover such applications as commercial,industrial, and automotives areas.

We are looking forward to setting up business relationship with you and hope to provide you with the best service and solution. Let us make a better world for our industry!



Contact us

Tel: +86-755-8981 8866 Fax: +86-755-8427 6832

Email & Skype: info@chipsmall.com Web: www.chipsmall.com

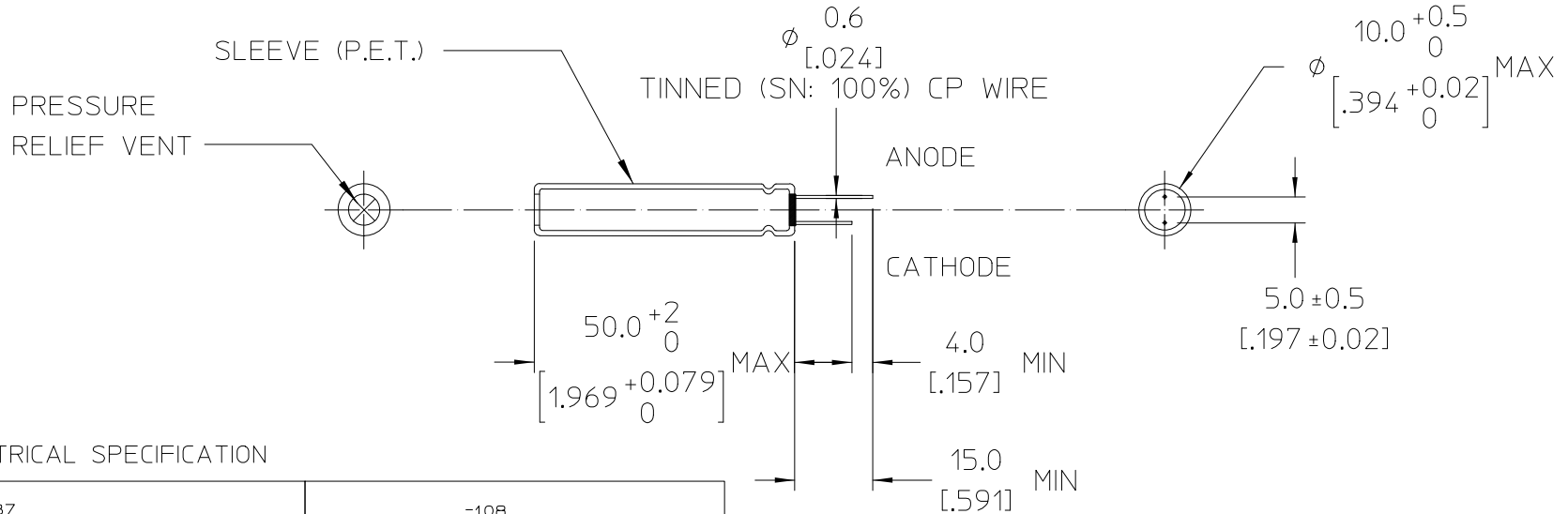
Address: A1208, Overseas Decoration Building, #122 Zhenhua RD., Futian, Shenzhen, China



VICOR CONFIDENTIAL

THIS DOCUMENT AND THE DATA DISCLOSED HEREIN OR HEREWITH IS NOT TO BE REPRODUCED, USED, OR DISCLOSED IN WHOLE OR IN PART TO ANYONE WITHOUT PERMISSION OF VICOR CORP.

REV.	DESCRIPTION	DATE	APPROVED
#1	RELEASED PER E101259b AR	10/12/10	YZ



ELECTRICAL SPECIFICATION

34837	-10B
CAPACITANCE @ 120Hz (+20°C)	1000uF
D.F @ 120 Hz (+20°C)	9.0%
IMPEDANCE @ 100 kHz (+20° C)	0.055 Ω MAX
MAX RIPPLE CURRENT @ 100KHz (105° C)	2270 mA _{rms} MAX
RATED WORKING VOLTAGE	63V
CAPACITANCE TOLERANCE	±20%
OPERATING TEMPERATURE RANGE	-55° C TO +105° C
DC LEAKAGE CURRENT @ 20° C, RATED VOLTAGE	1890 μA MAX
SURGE VOLTAGE	79 VDC

NOTES:

1. ALL DIMENSIONS IN MILLIMETER [INCH]
2. POLARITY TO BE MARKED ON BODY OF CAPACITOR.
3. RoHS COMPLIANT, LEAD FREE PER CST-0001 LATEST REVISION.

DRAWN BY <i>S ASHRAF</i>		DATE 5/15/08		<p>CAP ALEL XXXμF 20% 63V 10X50 RADIAL</p>			
<small>UNLESS OTHERWISE SPECIFIED DIMENSIONS ARE MM [INCH] TOLERANCES ARE: DECIMALS ANGLES X.X [X.XX] = ±0.25 [0.01] ±° X.XX [X.XXX] = ±0.127 [0.005]</small>							
THIRD ANGLE PROJECTION 		SIZE B	CAGE CODE 67131	DWG NO 34837-XXX	REV 1	SCALE 1:1 SHEET 1 OF 1	