



Chipsmall Limited consists of a professional team with an average of over 10 year of expertise in the distribution of electronic components. Based in Hongkong, we have already established firm and mutual-benefit business relationships with customers from,Europe,America and south Asia,supplying obsolete and hard-to-find components to meet their specific needs.

With the principle of “Quality Parts,Customers Priority,Honest Operation,and Considerate Service”,our business mainly focus on the distribution of electronic components. Line cards we deal with include Microchip,ALPS,ROHM,Xilinx,Pulse,ON,Everlight and Freescale. Main products comprise IC,Modules,Potentiometer,IC Socket,Relay,Connector.Our parts cover such applications as commercial,industrial, and automotives areas.

We are looking forward to setting up business relationship with you and hope to provide you with the best service and solution. Let us make a better world for our industry!



## Contact us

Tel: +86-755-8981 8866 Fax: +86-755-8427 6832

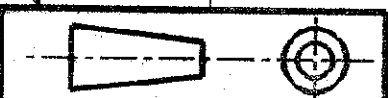
Email & Skype: info@chipsmall.com Web: www.chipsmall.com

Address: A1208, Overseas Decoration Building, #122 Zhenhua RD., Futian, Shenzhen, China

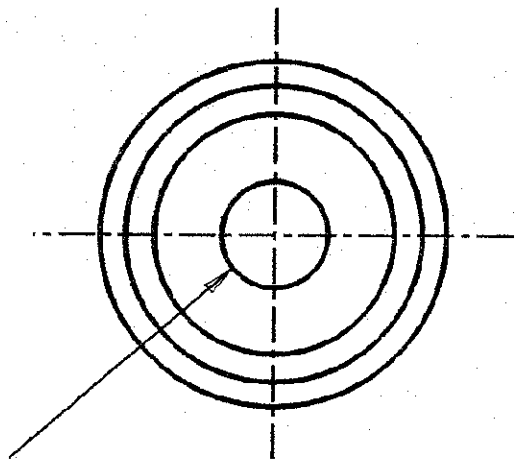


DO NOT SCALE

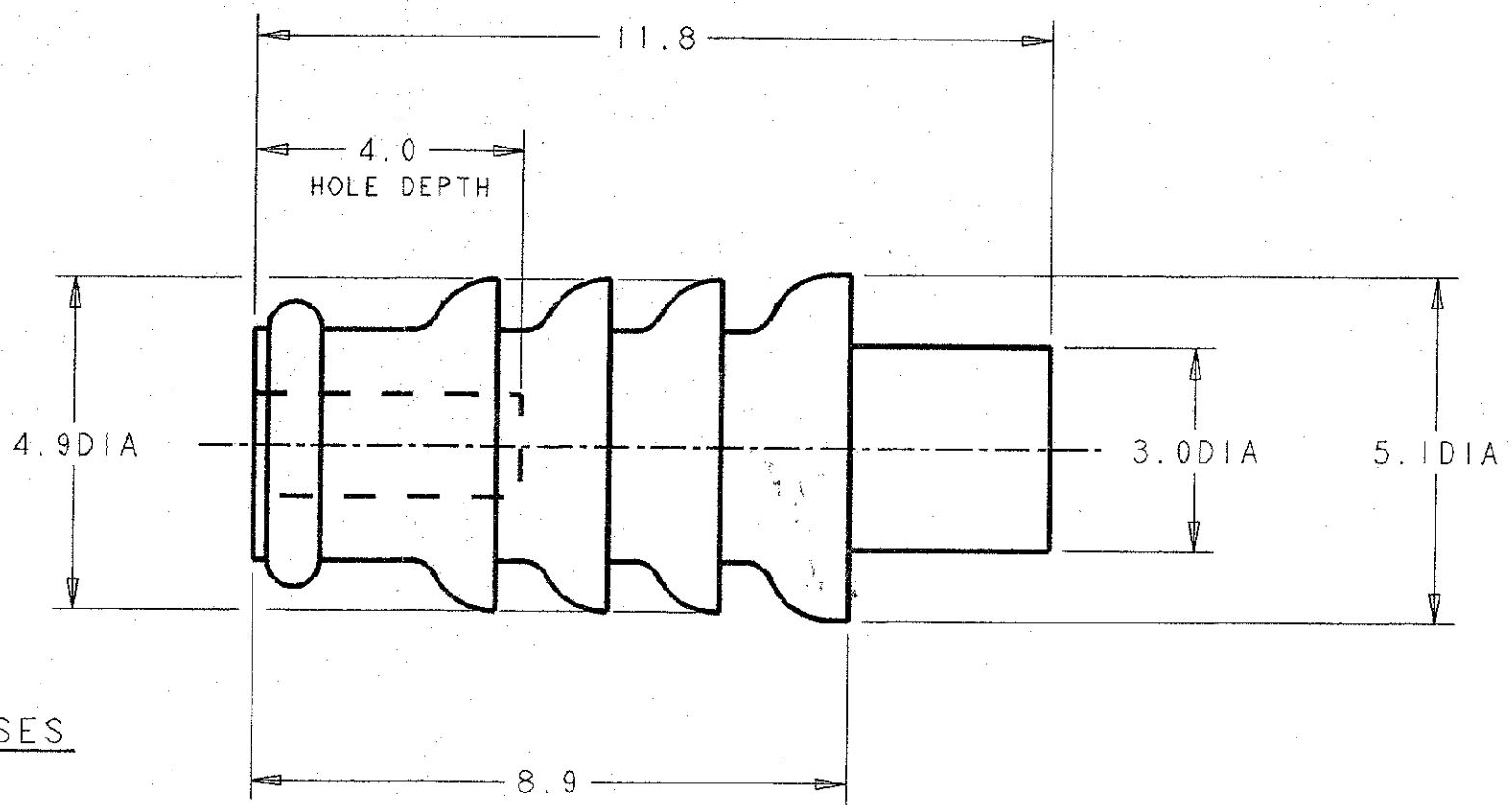
DIMENSIONS IN MM.




# AMP



HOLE: 1.5 DIA FOR TOOLING PURPOSES



THIS PLUG IS SUITABLE FOR BLANKING OFF UNUSED CAVITIES IN ECONOSEAL 3 LOW CURRENT CONNECTORS.

GREY		SELF-LUBRICATING SILICONE RUBBER		348461-1	
FINISH		MATERIAL		PART NUMBER	
CUSTOMER DWG FOR REFERENCE ONLY			© COPYRIGHT 1993 BY AMP OF GREAT BRITAIN LTD. ALL INTERNATIONAL RIGHTS RESERVED. ALL PRODUCTS MAY BE COVERED BY BRITISH AND FOREIGN PATENTS AND/OR PATENTS PENDING.		
		TOLERANCES UNLESS OTHERWISE STATED :		DR. R.J.S. 22.9.93	
		DEC ± 0.5		CH. K.W. APP. J.P.	
		ANGLES ± 1°		 TERMINAL HOUSE STANMORE MIDDX.	
A RELEASED		EB00-0091-01 12.03.91		NAME	
2 TOOLING HOLE ADDED		EB00-0149-96 28.03.96		CAVITY REAR PLUG ECONOSEAL 3 LOW CURRENT	
1 PRELIM. ISSUE		EB00- -93 22.09.93		SCALE LOC SIZE DWG.No.	
REV MODIFICATION		CHANGE No. DATE		10/1 E A3 C348461	
				REV SHEET A 1/1	

C.A.D. FILE CODE  
S. C348461 A