



Chipsmall Limited consists of a professional team with an average of over 10 year of expertise in the distribution of electronic components. Based in Hongkong, we have already established firm and mutual-benefit business relationships with customers from,Europe,America and south Asia,supplying obsolete and hard-to-find components to meet their specific needs.

With the principle of “Quality Parts,Customers Priority,Honest Operation,and Considerate Service”,our business mainly focus on the distribution of electronic components. Line cards we deal with include Microchip,ALPS,ROHM,Xilinx,Pulse,ON,Everlight and Freescale. Main products comprise IC,Modules,Potentiometer,IC Socket,Relay,Connector.Our parts cover such applications as commercial,industrial, and automotives areas.

We are looking forward to setting up business relationship with you and hope to provide you with the best service and solution. Let us make a better world for our industry!



Contact us

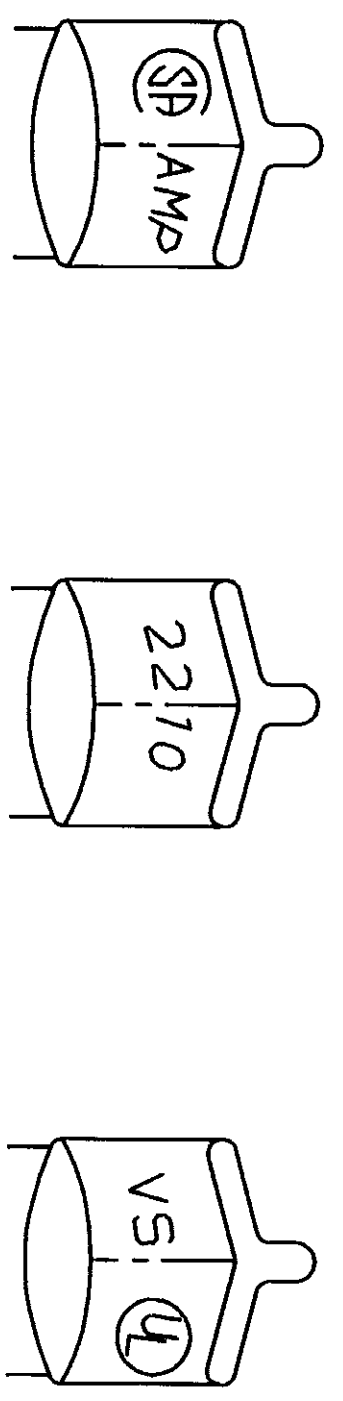
Tel: +86-755-8981 8866 Fax: +86-755-8427 6832

Email & Skype: info@chipsmall.com Web: www.chipsmall.com

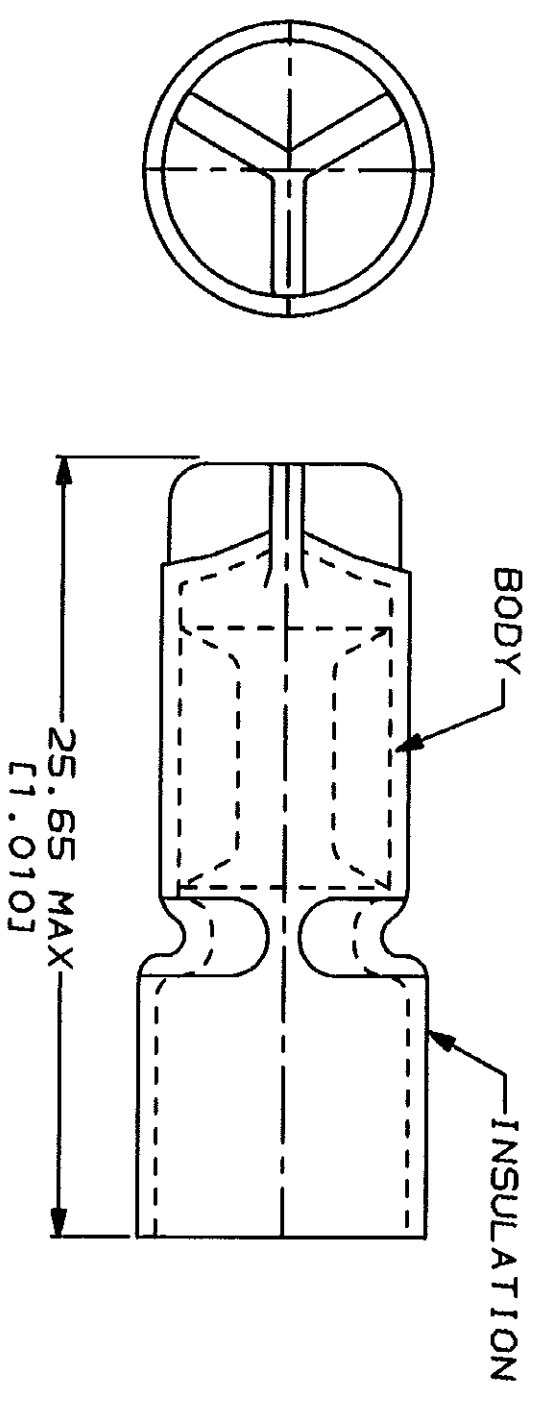
Address: A1208, Overseas Decoration Building, #122 Zhenhua RD., Futian, Shenzhen, China



THIS DRAWING IS UNPUBLISHED. RELEASED FOR PUBLICATION BY AMP INCORPORATED. ALL INTERNATIONAL RIGHTS RESERVED.



STAMPING DETAIL



LOC	DIST	P	F	ZONE	LTR	DESCRIPTION	DATE	APPRO
G	14			M		REV / 0720-0071-93	5/93	LD / MC

AMP WIRE RANGE	UL Listed	LR7189 Certified
22-10 AWG SOLID OR STRANDED	22-10 AWG SOLID OR STRANDED	22-10 AWG SOLID OR STRANDED

METRIOR
 DIMENSIONS LISTED IN mm [INCHES]

- NOTES:
 1. WIRE INSULATION OPENING 7.62mm [.300J]
 MIN DIA

AMP INCORPORATED
 CUSTOMER SERVICE SYSTEMS

FOR ADDITIONAL PRODUCT INFORMATION OR COPIES OF DRAWINGS AND TECHNICAL DOCUMENTS	1-800-522-6752	PRODUCT INFORMATION CENTER
FOR APPLICATION	1-800-722-1111	TOOLING ASSISTANCE CENTER
FOR ORDER ENTRY	1-800-526-5142	

MAX RECOMMENDED OPERATING TEMPERATURE: 90°C MAX
 VOLTAGE RATING: 300V MAX
 CIRCULAR MIL AREA: 2.62-6.64mm² (5180-13100J)
 SOLID OR STRANDED

DO NOT SCALE PRINT. UNLESS SPECIFIED OTHERWISE:
 DIMENSIONS ON: 2 PLC DEC ± 0.20(.008)
 3 PLC DEC ± . . .
 ANGLES: ° - -
 MATERIAL: BODY: COPPER
 INSULATION: PVC
 COLOR: YELLOW
 FINISH: SPLICED: TIN PLATED
 MIL-T-10727

DR 1/33	60	LOOSE PC, BOX	8-34865-2
CHK 1/33	-	LOOSE PC	34865
APPD 1/33	QTY	DESCRIPTION	PART NO
APPD 1/33		AMP	AMP Incorporated Harrisburg, PA 17105-3608
PRODUCT SPEC		SPLICE, WIRE, CLOSED END	
APPLICATION SPEC	SIZE	CAGE CODE	DRAWING NO
WEIGHT	B	00779	©=34865
	SCALE	4:1	SHEET 1 OF 1