



Chipsmall Limited consists of a professional team with an average of over 10 year of expertise in the distribution of electronic components. Based in Hongkong, we have already established firm and mutual-benefit business relationships with customers from,Europe,America and south Asia,supplying obsolete and hard-to-find components to meet their specific needs.

With the principle of “Quality Parts,Customers Priority,Honest Operation,and Considerate Service”,our business mainly focus on the distribution of electronic components. Line cards we deal with include Microchip,ALPS,ROHM,Xilinx,Pulse,ON,Everlight and Freescale. Main products comprise IC,Modules,Potentiometer,IC Socket,Relay,Connector.Our parts cover such applications as commercial,industrial, and automotives areas.

We are looking forward to setting up business relationship with you and hope to provide you with the best service and solution. Let us make a better world for our industry!



## Contact us

Tel: +86-755-8981 8866 Fax: +86-755-8427 6832

Email & Skype: info@chipsmall.com Web: www.chipsmall.com

Address: A1208, Overseas Decoration Building, #122 Zhenhua RD., Futian, Shenzhen, China

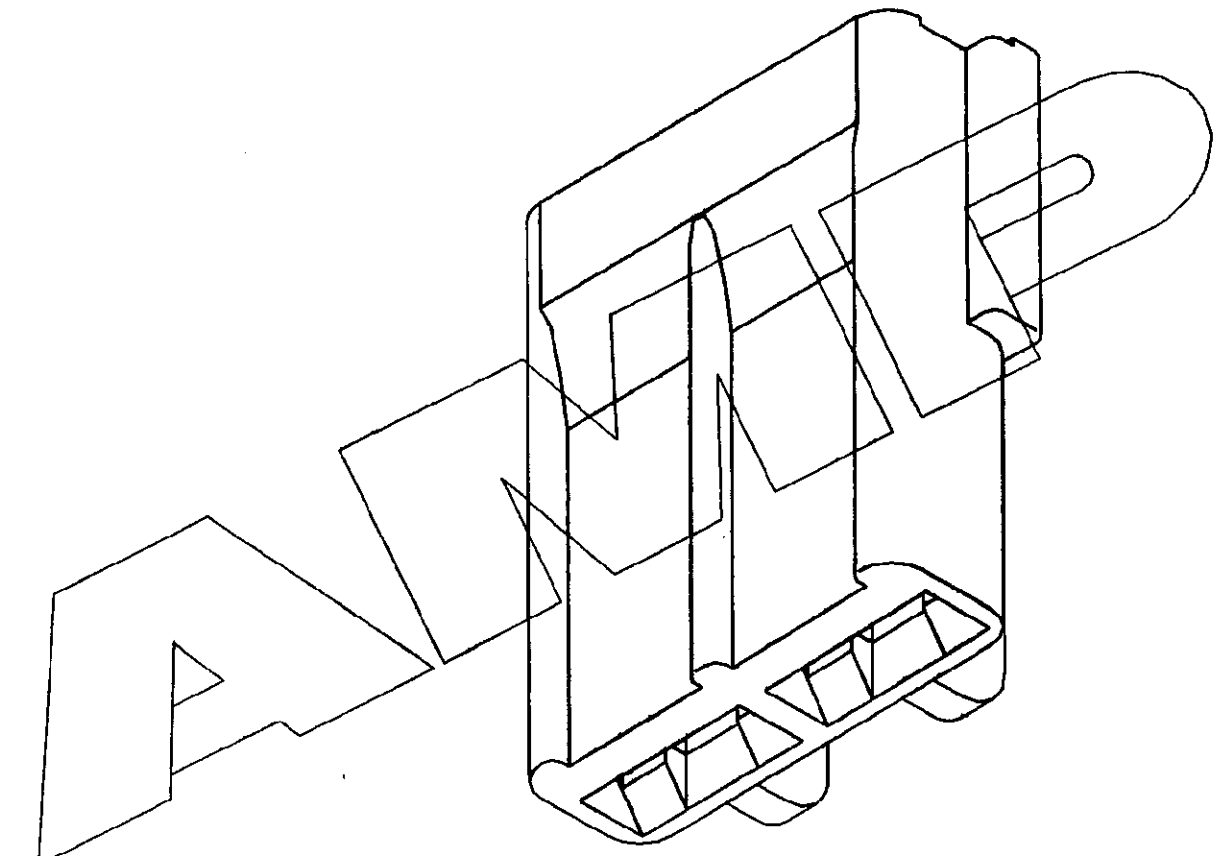
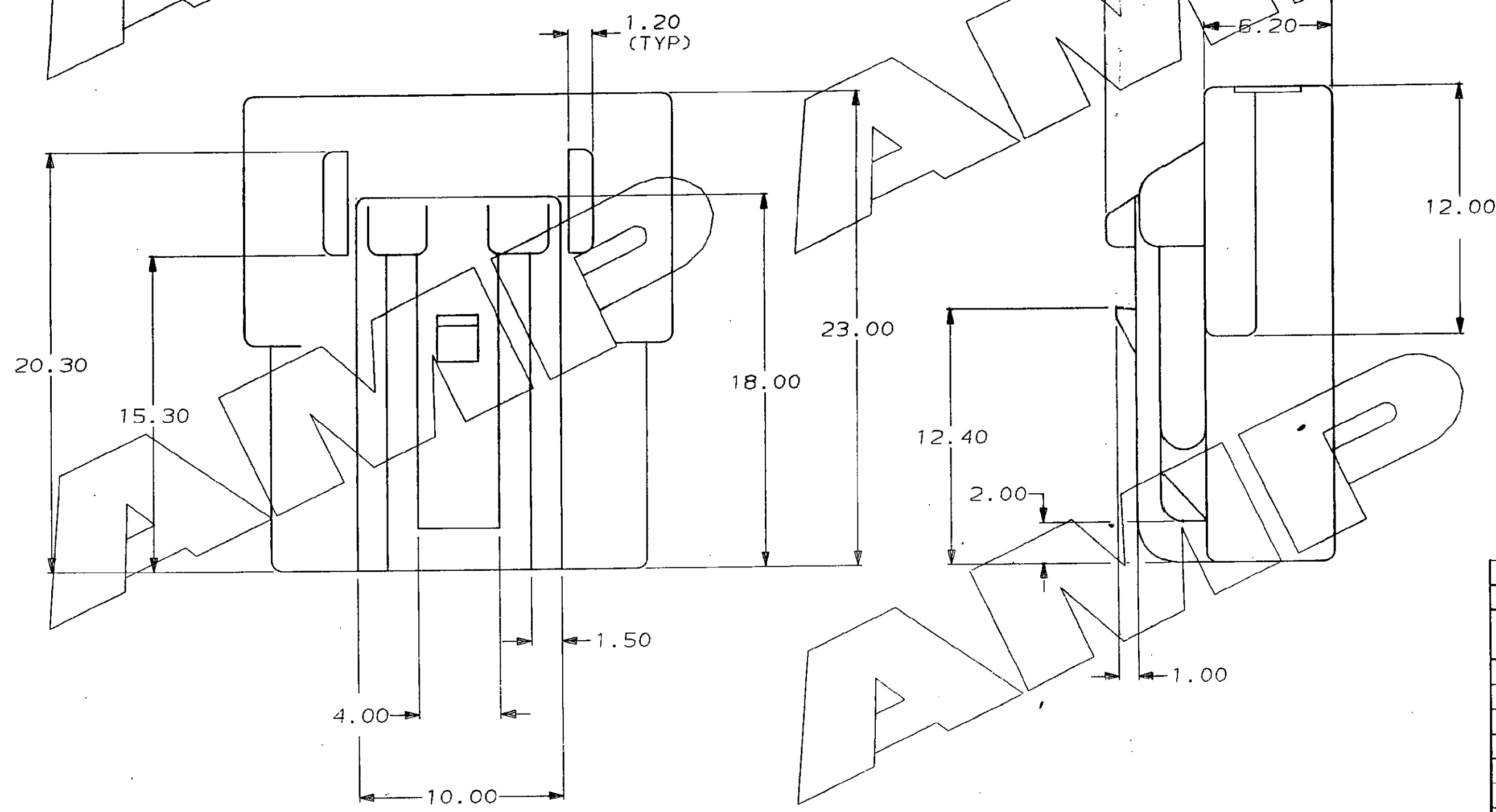
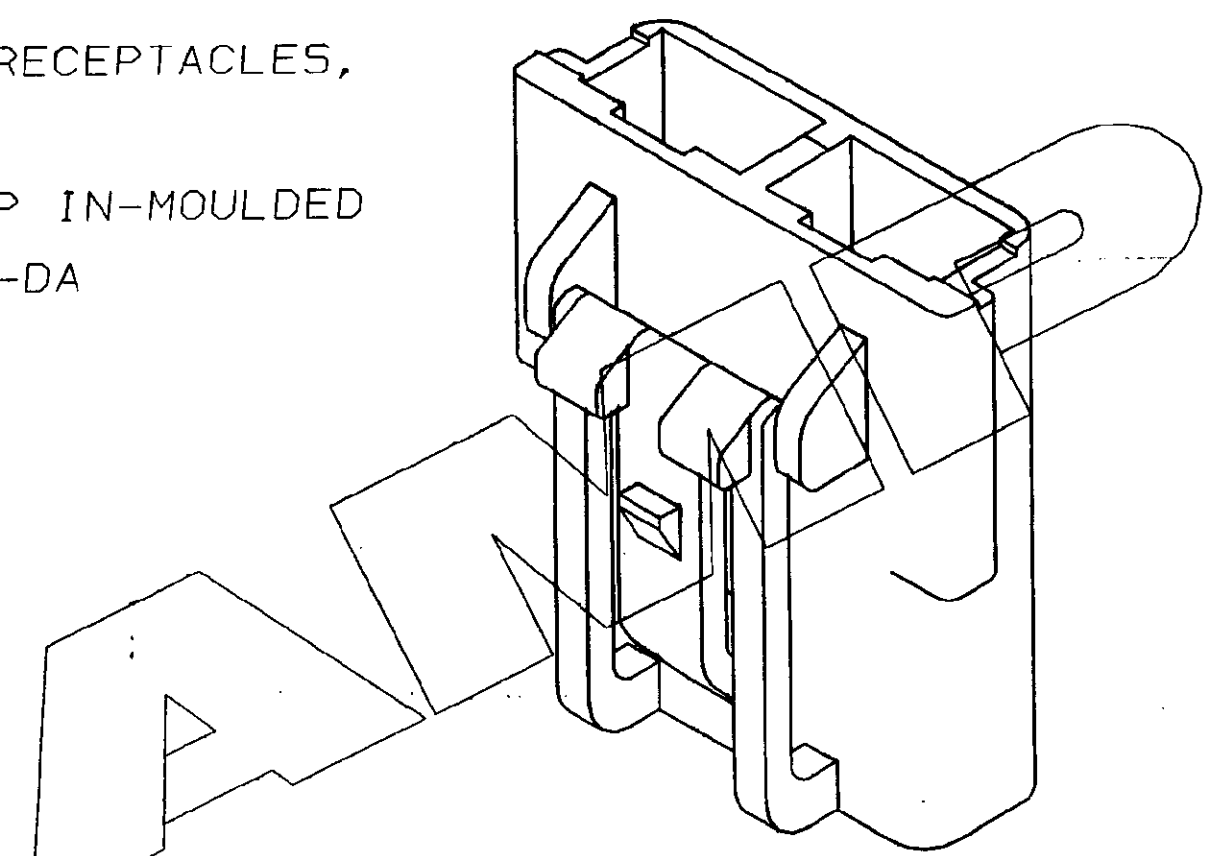
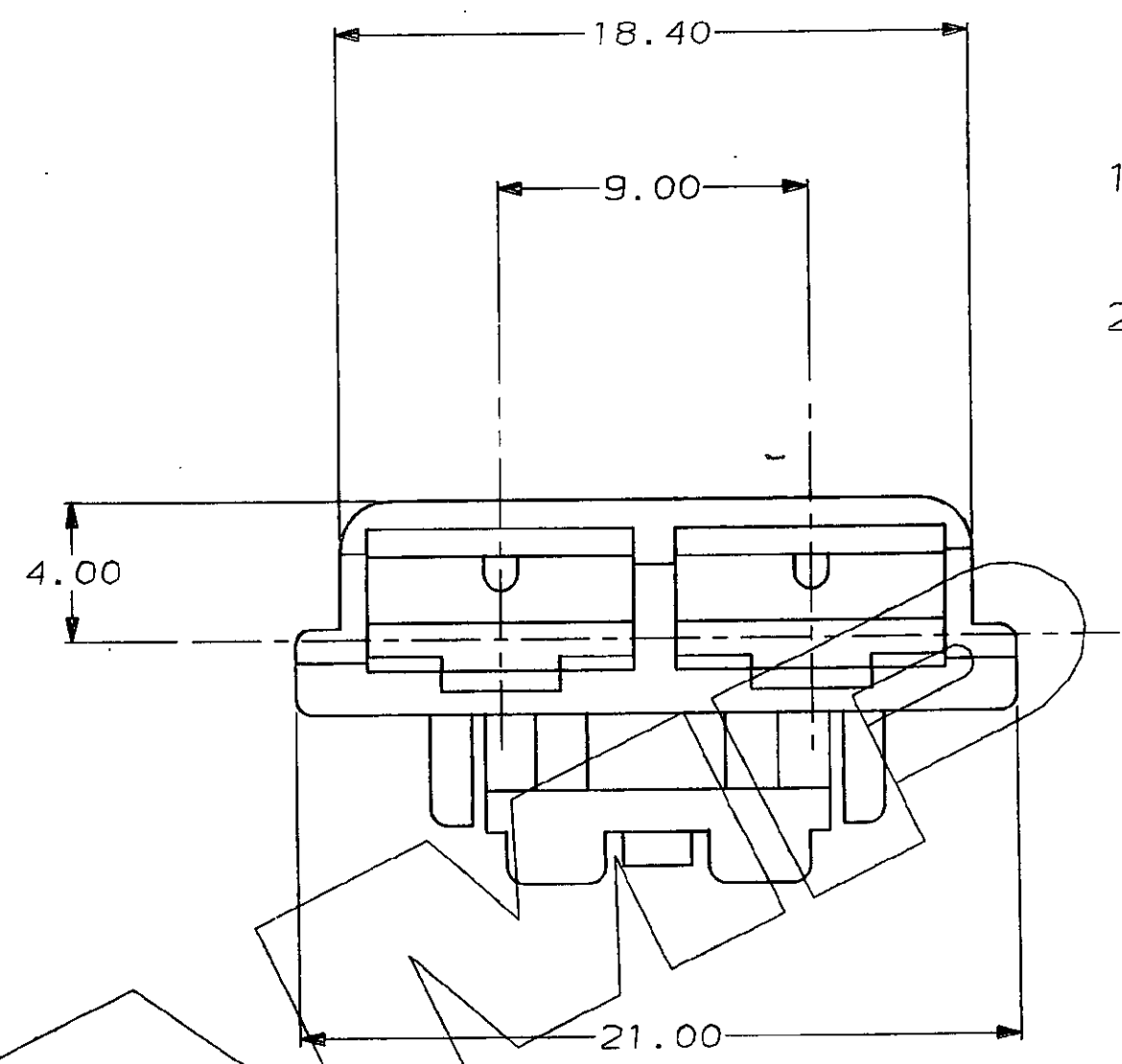


C.A.D. FILE CODE  
S. C348726.A.SH1

DO NOT SCALE DIMENSIONS IN MM.

NOTES

1. THIS HOUSING ACCOMODATES TWO FASTIN-FASTON RECEPTACLES, AMP PART No. 42100, FORD PART No. 5L 100.65
2. THIS RECEPTACLE HOUSING MATES WITH FUEL PUMP IN-MOULDED TAB HEADER ASSEMBLY, FORD PART No. F3LU-9350-DA



BLACK		ACETAL		348726-1	
FINISH		MATERIAL		PART NUMBER	
CUSTOMER DWG FOR REFERENCE ONLY			FOR CONFIDENTIALITY OR COPYRIGHT NOTICE USE FUNCTION KEY F2 OR F3		
TOLERANCES UNLESS OTHERWISE STATED		DR. J. AMBROSE		03-06-94	
DEC ± 0.5		CH. D. HAYWOOD		APP. J. AMBROSE	
ANGLES ± 1°		<b>AMP</b> of Great Britain Ltd.		TERMINAL HOUSE STANMORE MIDD.	
A J. AMBROSE EB00-0442-94 15-08-94		NAME 2 WAY RECEPTACLE HOUSING			
0 J. AMBROSE EB00-0393-94 21-07-94		FASTIN FASTON			
1 J. AMBROSE NEW ISSUE 03-06-94		SCALE	LOC	SIZE	DWG. No.
REV	APPROVED	4/1	E	A2	C348726
CHANGE No.		DATE		REV	SHEET
				A	1/1