



Chipsmall Limited consists of a professional team with an average of over 10 year of expertise in the distribution of electronic components. Based in Hongkong, we have already established firm and mutual-benefit business relationships with customers from,Europe,America and south Asia,supplying obsolete and hard-to-find components to meet their specific needs.

With the principle of “Quality Parts,Customers Priority,Honest Operation,and Considerate Service”,our business mainly focus on the distribution of electronic components. Line cards we deal with include Microchip,ALPS,ROHM,Xilinx,Pulse,ON,Everlight and Freescale. Main products comprise IC,Modules,Potentiometer,IC Socket,Relay,Connector.Our parts cover such applications as commercial,industrial, and automotives areas.

We are looking forward to setting up business relationship with you and hope to provide you with the best service and solution. Let us make a better world for our industry!



Contact us

Tel: +86-755-8981 8866 Fax: +86-755-8427 6832

Email & Skype: info@chipsmall.com Web: www.chipsmall.com

Address: A1208, Overseas Decoration Building, #122 Zhenhua RD., Futian, Shenzhen, China



4

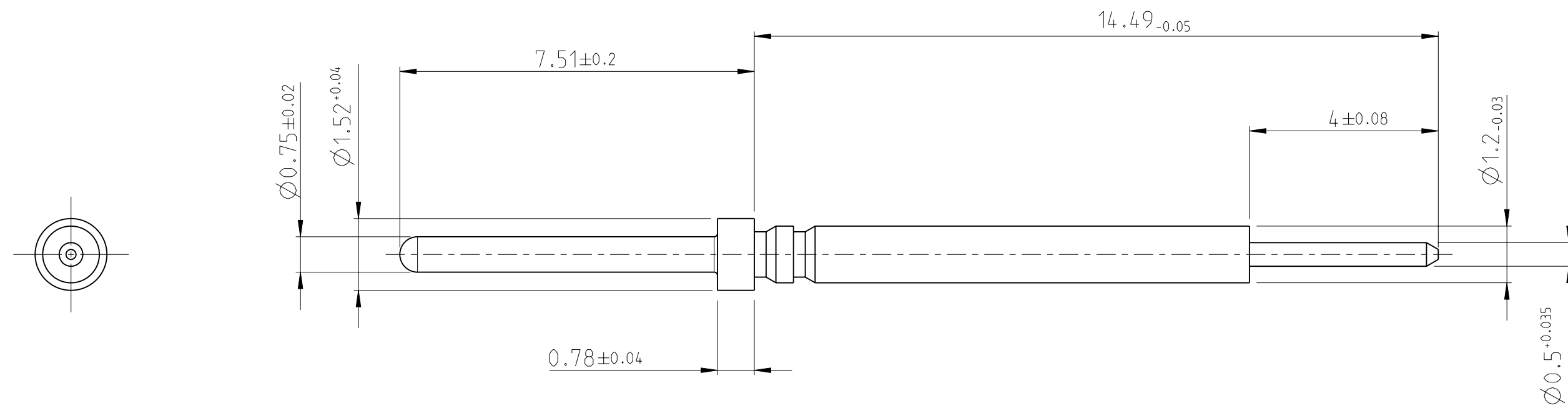
3

2

1

THIS DRAWING IS UNPUBLISHED. RELEASED FOR PUBLICATION 20
 © COPYRIGHT 20 BY TYCO ELECTRONICS CORPORATION. ALL INTERNATIONAL RIGHTS RESERVED.

LOC	DIST	REVISIONS			
P	LTR	DESCRIPTION	DATE	DWN	APVD
F	00	A	FIRST RELEASE	16 JUL 2010	TC YP



- 1 CONTACT BODY MAT'L: NICKEL COPPER ALLOY
- 2 FINISH: 0,0013 MIN THK GOLD PLATED PER MIL-G-45204 TYPE II GRADE C CLASSE I OVER 0,0013 MIN NICKEL PLATED PER QQ-N-290.
- 3. INSERTION / EXTRACTION TOOL P/N 91067-1
- 4. CONTACTS MEET ALL APLICABLE PERFORMANCE REQUIREMENTS OF MIL-C-39029.

349336-1
 PART NUMBER

<small>THIS DRAWING IS A CONTROLLED DOCUMENT FOR TYCO ELECTRONICS CORPORATION IT IS SUBJECT TO CHANGE AND THE CONTROLLING ENGINEERING ORGANIZATION SHOULD BE CONTACTED FOR THE LATEST REVISION.</small>		DWN 16 JUL 2010 Thierry CORRIOU		Tyco Electronics France SAS 95300 Pontoise, France	
DIMENSIONS: mm		TOLERANCES UNLESS OTHERWISE SPECIFIED: 0 PLC ±0.13 1 PLC ±0.13 2 PLC ±0.13 3 PLC ± 4 PLC ± ANGLES ±1		NAME CONTACT, PIN, SIZE 22, POSTED, REMOVABLE	
MATERIAL - 1		FINISH - 2		PRODUCT SPEC - APPLICATION SPEC - WEIGHT 0,15 g	
		CUSTOMER DRAWING		SIZE A3 CAGE CODE 00779 DRAWING NO C-349336 RESTRICTED TO -	
		SCALE 10:1		SHEET 1 OF 1 REV A	