



Chipsmall Limited consists of a professional team with an average of over 10 year of expertise in the distribution of electronic components. Based in Hongkong, we have already established firm and mutual-benefit business relationships with customers from,Europe,America and south Asia,supplying obsolete and hard-to-find components to meet their specific needs.

With the principle of “Quality Parts,Customers Priority,Honest Operation,and Considerate Service”,our business mainly focus on the distribution of electronic components. Line cards we deal with include Microchip,ALPS,ROHM,Xilinx,Pulse,ON,Everlight and Freescale. Main products comprise IC,Modules,Potentiometer,IC Socket,Relay,Connector.Our parts cover such applications as commercial,industrial, and automotives areas.

We are looking forward to setting up business relationship with you and hope to provide you with the best service and solution. Let us make a better world for our industry!



Contact us

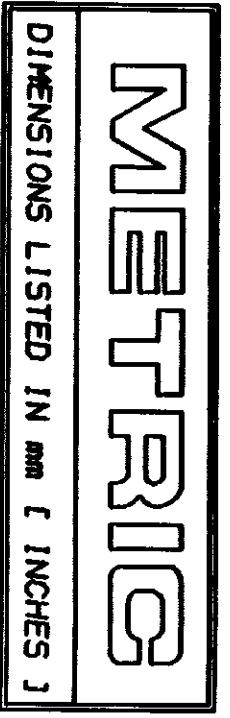
Tel: +86-755-8981 8866 Fax: +86-755-8427 6832

Email & Skype: info@chipsmall.com Web: www.chipsmall.com

Address: A1208, Overseas Decoration Building, #122 Zhenhua RD., Futian, Shenzhen, China

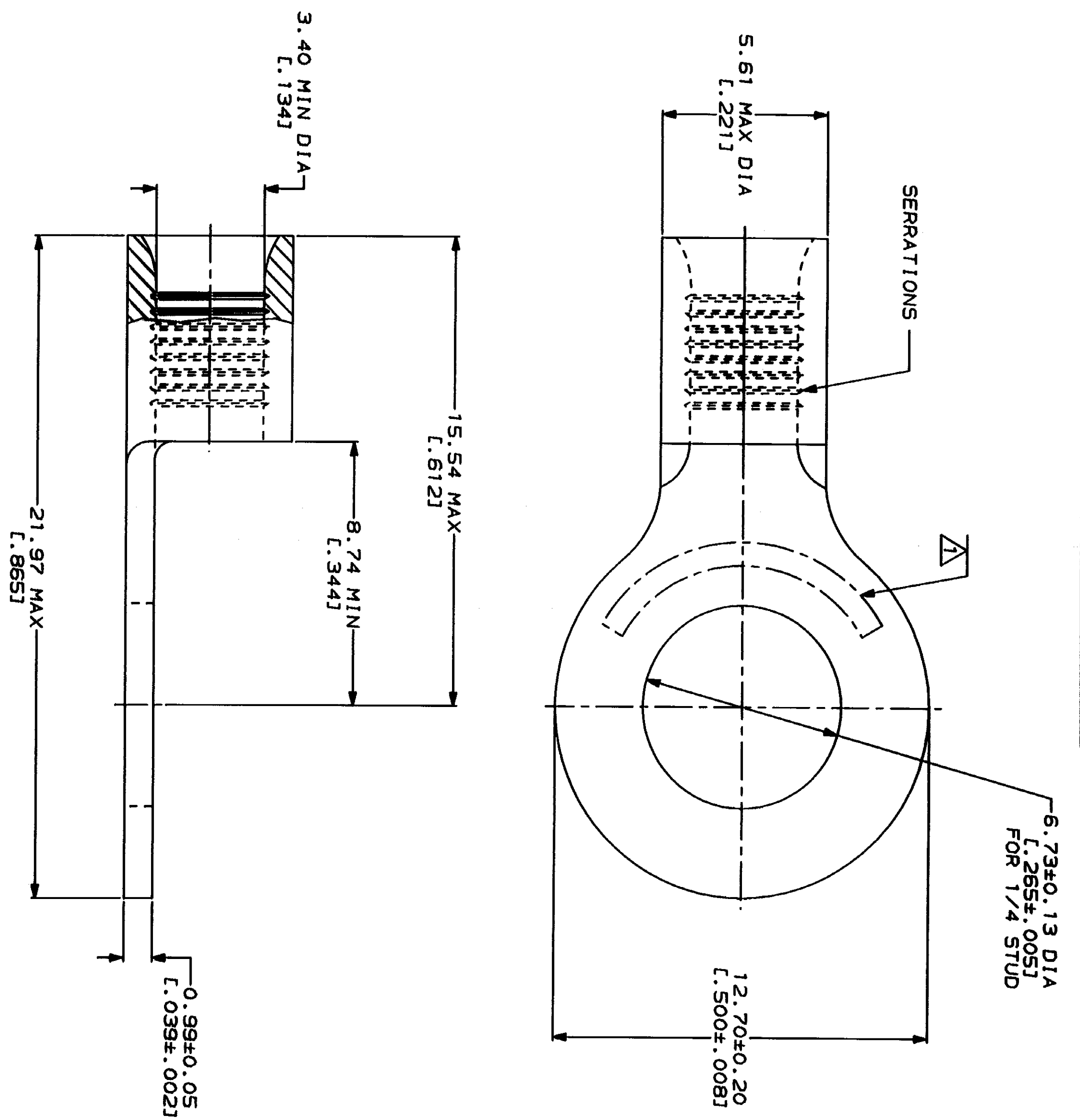


LOC	DIST	ZONE	LTN	REVISIONS	DATE	APPD
G	14		A	REVISED PER 0720-0230-93		



WIRE RANGE	12-10 AWG STRANDED	UL E13288 Listed
WIRE RANGE	12-10 AWG STRANDED	MILITARY P/N AND CLASS
NOT CERTIFIED	LR7189 Certified	NOT APPLICABLE

△ STAMP AMP 12-10* APPROX AS SHOWN



AMP INCORPORATED
CUSTOMER SERVICE SYSTEMS

FOR ADDITIONAL PRODUCT INFORMATION OR COPIES OF DRAWINGS AND TECHNICAL DOCUMENTS
1-800-522-6752

FOR APPLICATION TOOLING INFORMATION
1-800-722-1111

FOR ORDER ENTRY
1-800-526-5142

MAX RECOMMENDED OPERATING TEMPERATURE: 170°C MAX

VOLTAGE RATING: NOT APPLICABLE

WIRE CROSS SECTIONAL AREA RANGE: 2.62-6.64mm² [5,180-13,100] CIR MILS STRANDED

DO NOT SCALE PRINT. UNLESS SPECIFIED DIMENSIONS IN MILLIMETERS. TOLERANCES ON: 2 PLG DEC ± .05 ANGLES ± .5

FINISH: TIN PLATE 0.00254 [L.000100] MIN THK PER MIL-T-10727

DR 2-9-93	TA BRINKMAN
CHK 2-9-93	DA PATTERSON
APPD 2-9-93	DE MILLER
APPD 2-9-93	JL NECKLEY

DR 2-9-93	TA BRINKMAN
CHK 2-9-93	DA PATTERSON
APPD 2-9-93	DE MILLER
APPD 2-9-93	JL NECKLEY

AMP INCORPORATED
HARRISBURG, PA 17105-3608

TERMINAL, RING TONGUE, BUDGET

SIZE: 00779
CAGE CODE: 00779
DRAWING NO: 34965

SCALE: 8:1