



Chipsmall Limited consists of a professional team with an average of over 10 year of expertise in the distribution of electronic components. Based in Hongkong, we have already established firm and mutual-benefit business relationships with customers from,Europe,America and south Asia,supplying obsolete and hard-to-find components to meet their specific needs.

With the principle of “Quality Parts,Customers Priority,Honest Operation,and Considerate Service”,our business mainly focus on the distribution of electronic components. Line cards we deal with include Microchip,ALPS,ROHM,Xilinx,Pulse,ON,Everlight and Freescale. Main products comprise IC,Modules,Potentiometer,IC Socket,Relay,Connector.Our parts cover such applications as commercial,industrial, and automotives areas.

We are looking forward to setting up business relationship with you and hope to provide you with the best service and solution. Let us make a better world for our industry!



Contact us

Tel: +86-755-8981 8866 Fax: +86-755-8427 6832

Email & Skype: info@chipsmall.com Web: www.chipsmall.com

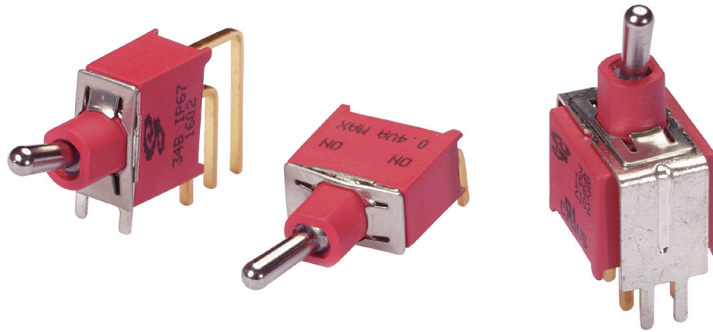
Address: A1208, Overseas Decoration Building, #122 Zhenhua RD., Futian, Shenzhen, China



SERIES 34B
Sealed Miniature Toggle Switches

FEATURES

- Save Space and Weight
- SPDT, DPDT, and 3PDT Circuitry
- Choice of Actuators, Bushings and Terminations
- Sealed per IP67



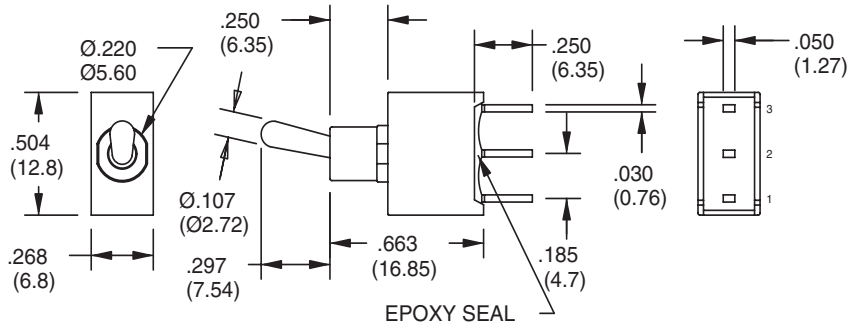
MODELS in inches (and millimeters)

SPDT

Model No.	Switching Position		
WSP1	ON	NONE	ON
WSP2	ON	NONE	(ON)
WSP3	ON	OFF	ON
WSP4	(ON)	OFF	(ON)
WSP5	ON	OFF	(ON)
Term. Comm.	2-3	OPEN	2-1

()=MOMENTARY

SCHEMATIC

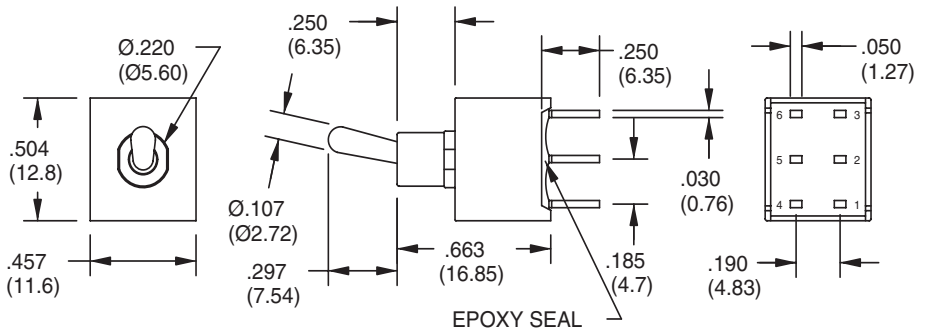
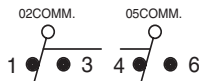


DPDT

Model No.	Switching Position		
WDP1	ON	NONE	ON
WDP2	ON	NONE	(ON)
WDP3	ON	OFF	ON
WDP4	(ON)	OFF	(ON)
WDP5	ON	OFF	(ON)
Term. Comm.	2-3 5-6	OPEN	2-1 5-4

()=MOMENTARY

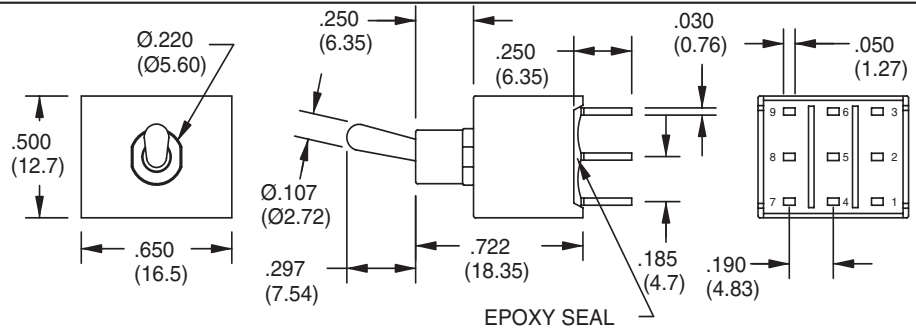
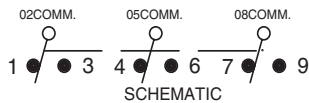
SCHEMATIC



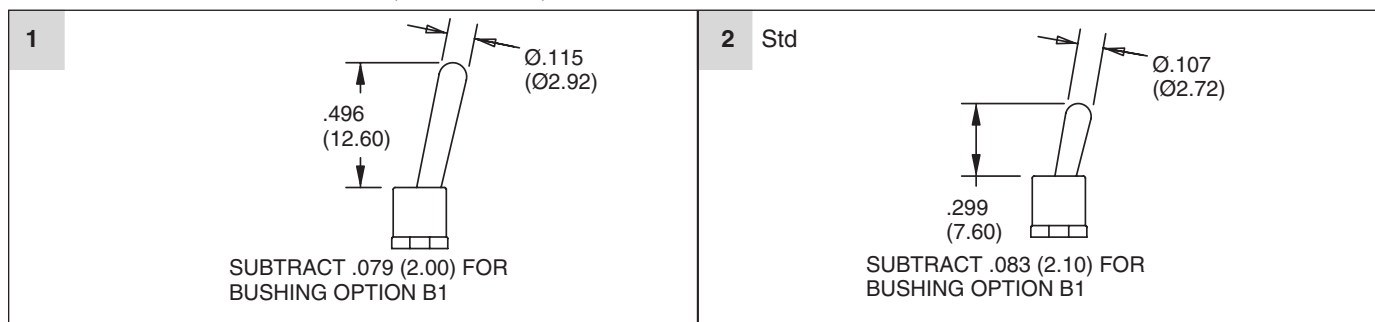
3PDT

Model No.	Switching Position		
W3P1	ON	NONE	ON
W3P2	ON	NONE	(ON)
W3P3	ON	OFF	ON
W3P4	(ON)	OFF	(ON)
W3P5	ON	OFF	(ON)
Term. Comm.	2-3 5-6	OPEN	2-1 5-4

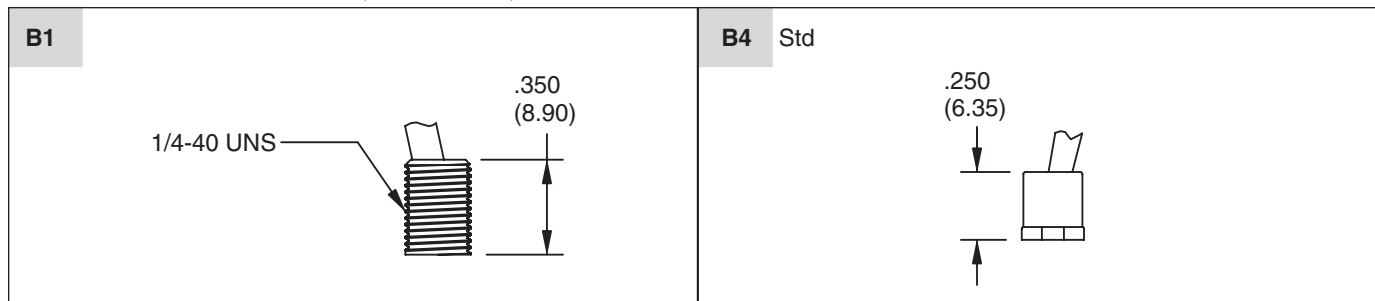
()=MOMENTARY



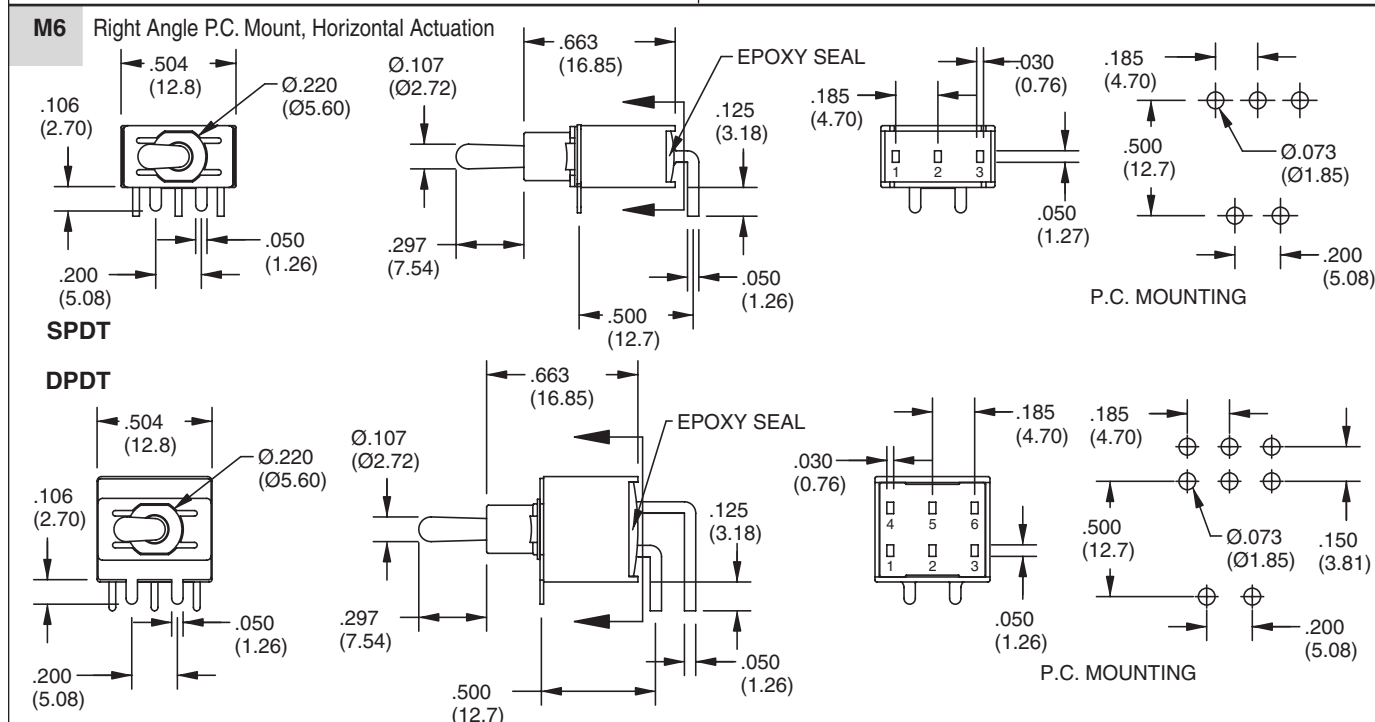
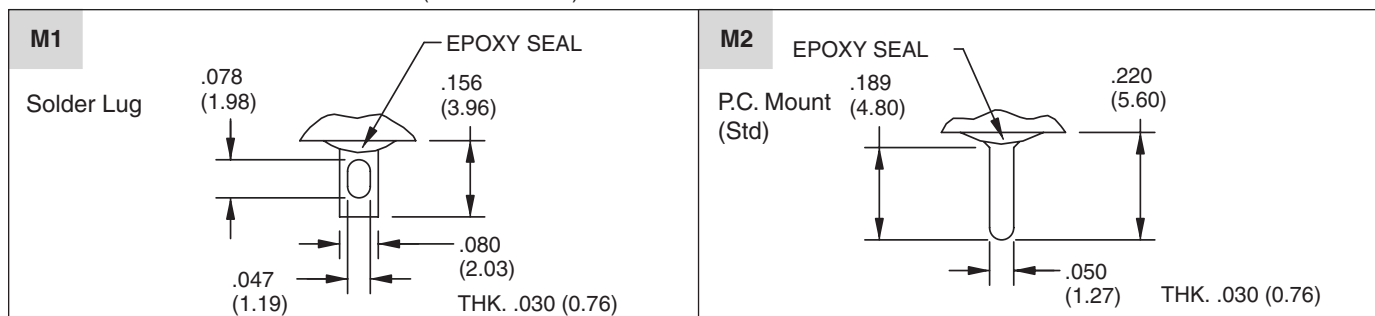
ACTUATOR OPTIONS in inches (and millimeters)



BUSHING OPTIONS in inches (and millimeters)

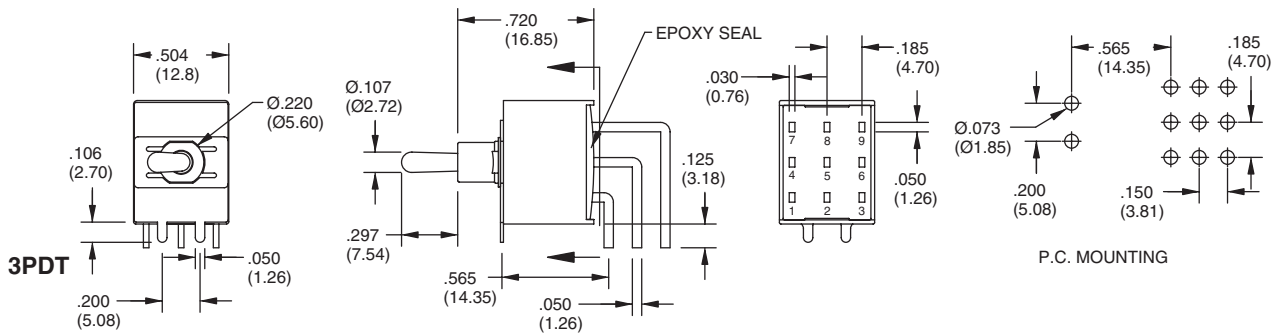


TERMINATION OPTIONS in inches (and millimeters)

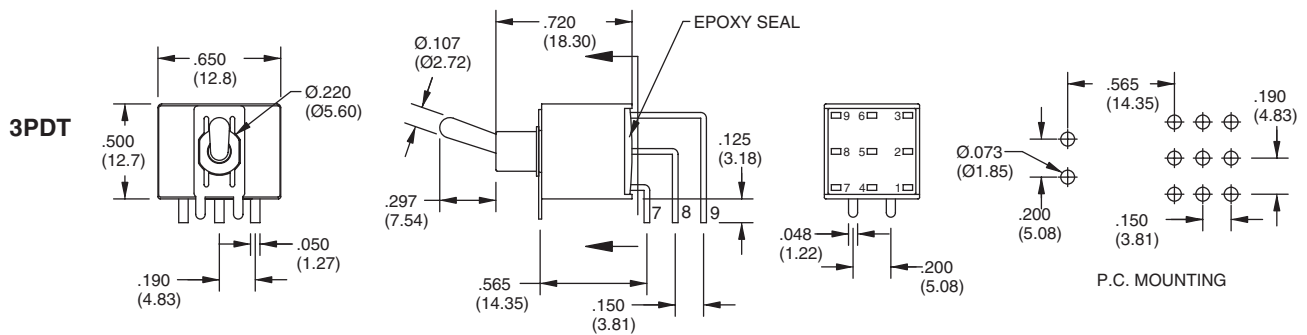
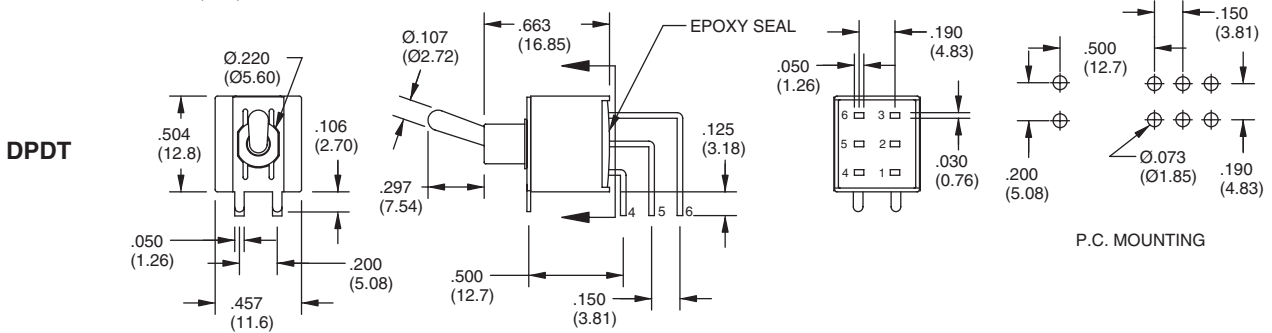
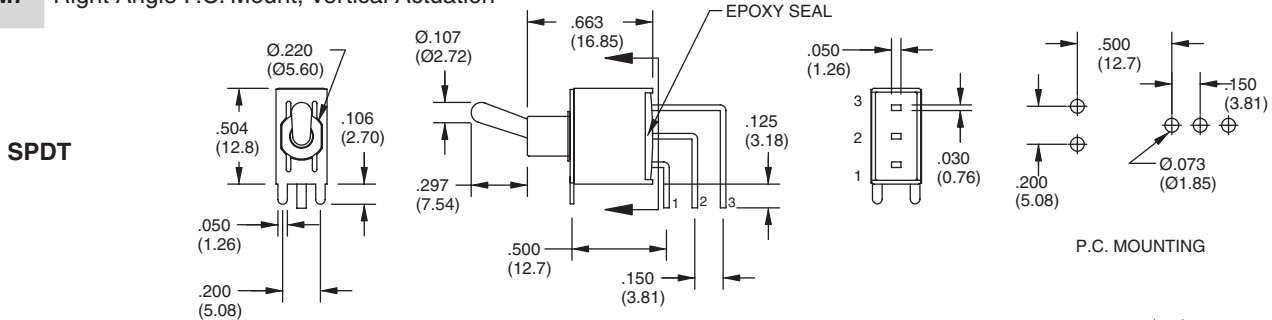


Toggle Switches

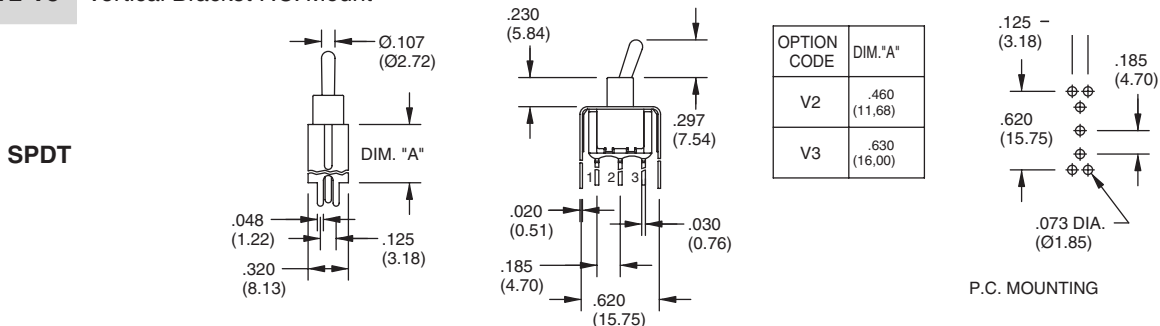
TERMINATION OPTIONS in inches (and millimeters)



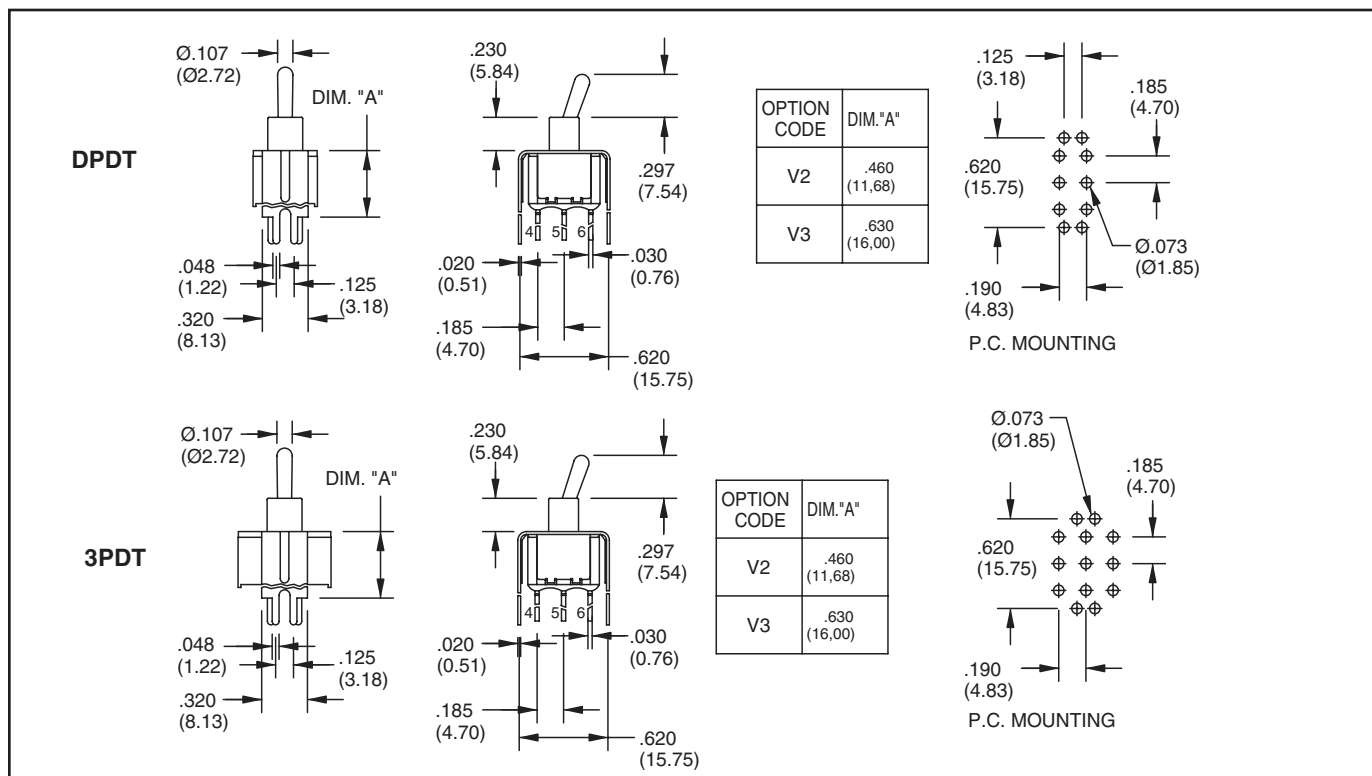
M7 Right Angle P.C. Mount, Vertical Actuation



V2-V3 Vertical Bracket P.C. Mount



TERMINATION OPTIONS in inches (and millimeters)



SPECIFICATIONS

RATINGS

Contact Rating: Q option - 5A with resistive load @ 125VAC or 28 VDC; 2A with resistive load @ 250 VAC. R option-0.4 VA max @ 20 Vmax (AC or DC)

Electrical Life: 50,000 make-and-break cycles at full load

Contact Resistance: 10 milliohms max. initial @ 2-4 VDC, 100 mA

Insulation Resistance: 1,000 megaohms min
Dielectric Strength: 1,500 V RMS @ sea level
Operating Temperature: -30°C to 85°C

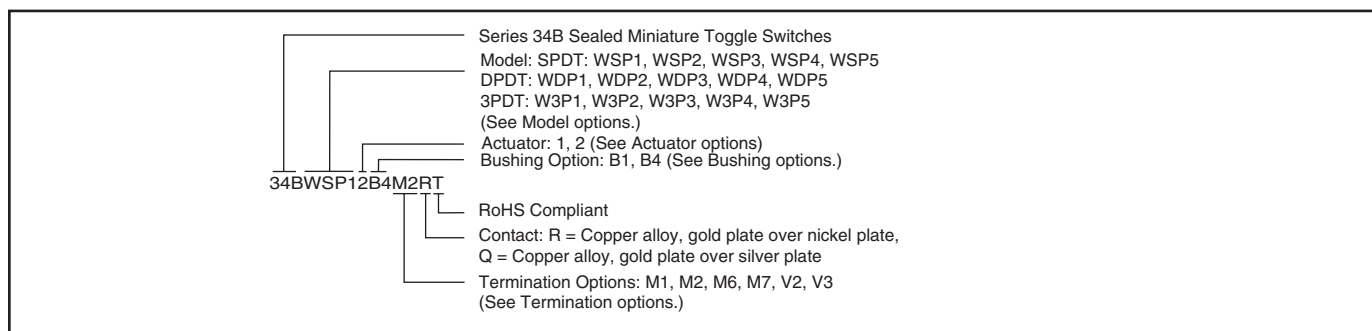
MATERIALS

Case and Bushings: Glass-filled nylon 6/6, flame retardant, heat stabilized (UL94V-0)
Frame: Spring steel

Actuator: Brass, chrome plated. Internal O-ring seal standard with all actuators.

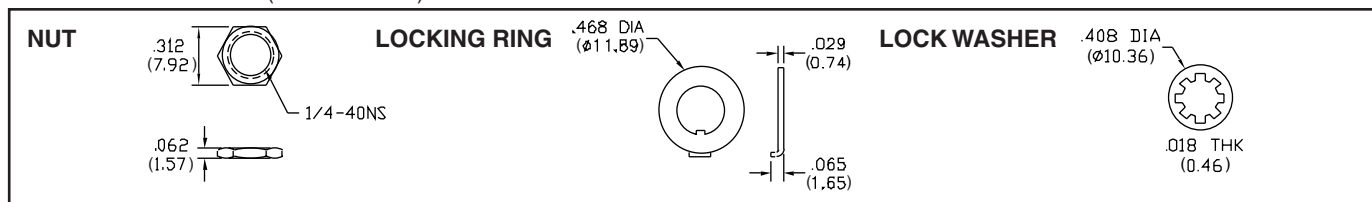
Switch Support: Brass, tin-plated
Actuator Pivot & Mounting Bracket: Nylon
Actuator Pivot Retainer: Stainless Steel
Terminal and Contacts: Copper alloy with plated over nickel or silver plate
Terminal Seal: Epoxy

ORDERING INFORMATION



Available from your local Grayhill Component Distributor.
 For prices and discounts, contact a local Sales Office, an authorized local Distributor or Grayhill.

HARDWARE In inches (and millimeters)



Toggle Switches