



Chipsmall Limited consists of a professional team with an average of over 10 year of expertise in the distribution of electronic components. Based in Hongkong, we have already established firm and mutual-benefit business relationships with customers from,Europe,America and south Asia,supplying obsolete and hard-to-find components to meet their specific needs.

With the principle of "Quality Parts,Customers Priority,Honest Operation,and Considerate Service",our business mainly focus on the distribution of electronic components. Line cards we deal with include Microchip,ALPS,ROHM,Xilinx,Pulse,ON,Everlight and Freescale. Main products comprise IC,Modules,Potentiometer,IC Socket,Relay,Connector.Our parts cover such applications as commercial,industrial, and automotives areas.

We are looking forward to setting up business relationship with you and hope to provide you with the best service and solution. Let us make a better world for our industry!



## Contact us

Tel: +86-755-8981 8866 Fax: +86-755-8427 6832

Email & Skype: info@chipsmall.com Web: www.chipsmall.com

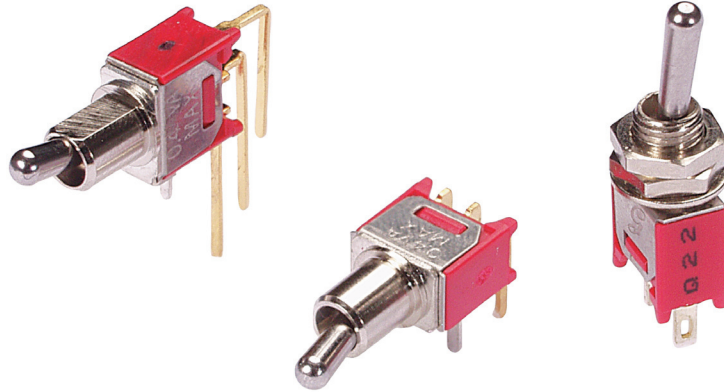
Address: A1208, Overseas Decoration Building, #122 Zhenhua RD., Futian, Shenzhen, China



**SERIES 34C**  
Sub-Miniature Toggle Switches

**FEATURES**

- Save Space and Weight
- SPDT and DPDT Circuitry
- Choice of Actuators, Bushings, and Terminations
- UL Recognized

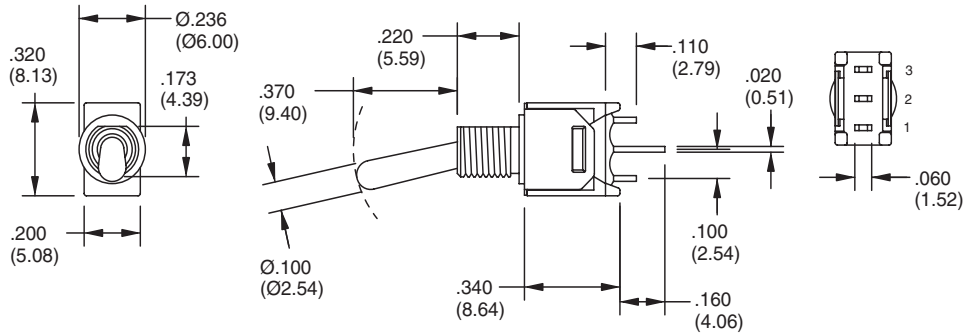


**MODELS** in inches (and millimeters)

**SPDT**

MODEL NO.	SWITCH POSITION		
MSP1	ON	NONE	ON
MSP2	ON	NONE	(ON)
MSP3	ON	OFF	ON
MSP4	(ON)	OFF	(ON)
MSP5	ON	OFF	(ON)
TERM. COMM.	2-3	OPEN	2-1

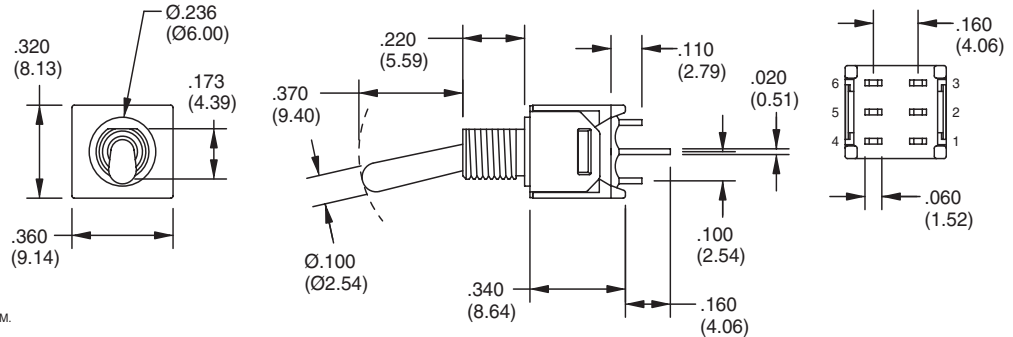
( )=MOMENTARY



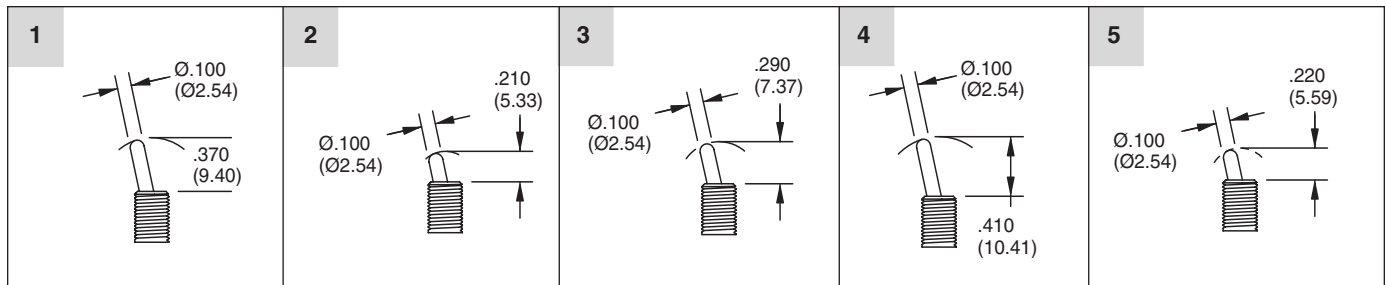
**DPDT**

MODEL NO.	SWITCH POSITION		
MDP1	ON	NONE	ON
MDP2	ON	NONE	(ON)
MDP3	ON	OFF	ON
MDP4	(ON)	OFF	(ON)
MDP5	ON	OFF	(ON)
TERM. COMM.	2-3, 5-6	OPEN	2-1, 5-4

( )=MOMENTARY

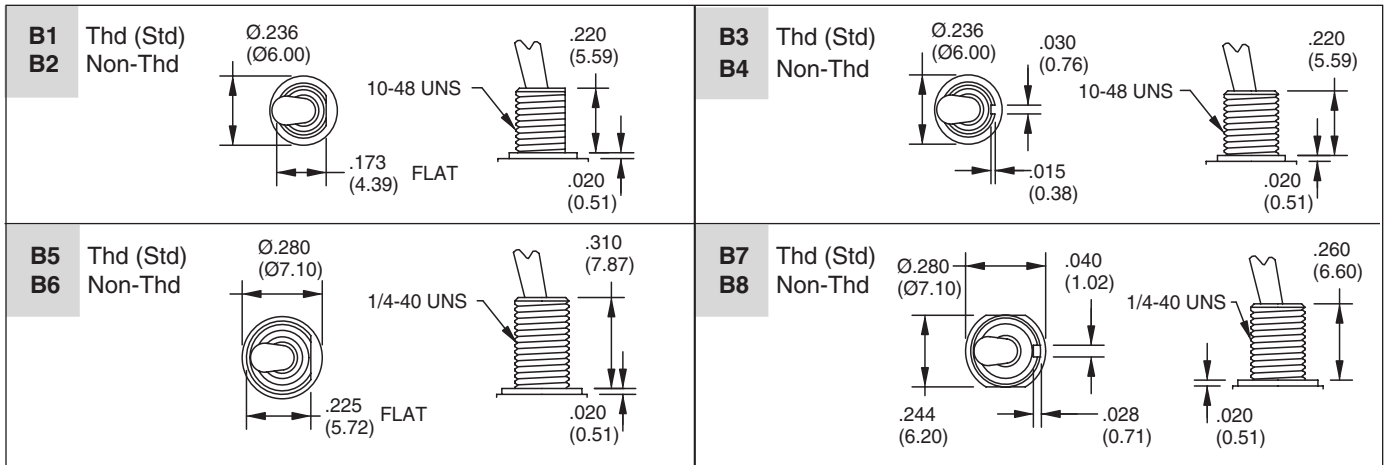


**ACTUATOR OPTIONS** in inches (and millimeters)

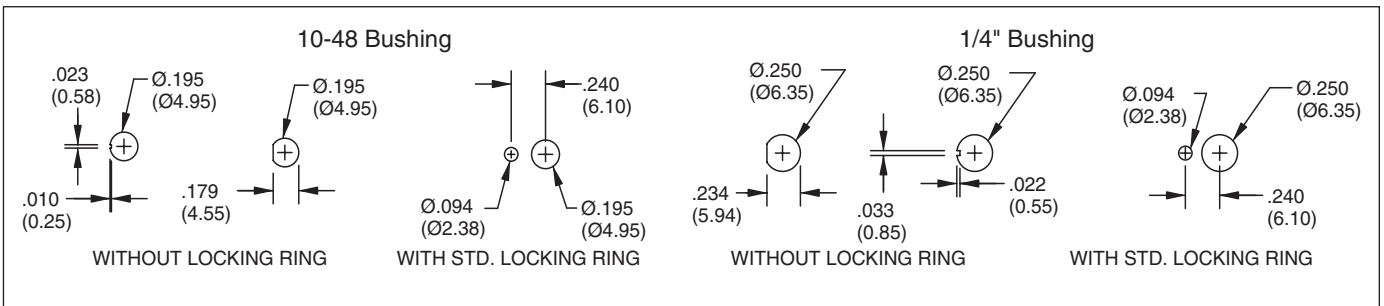


Actuator options 1, 2 and 3 shown with B1 to B4 bushing, subtract 0.90 (2.29) for bushing B5, subtract 0.40 (1.02) for bushing B7. Actuators 4 and 5 shown with B5 and B6 bushing, add 0.90 (2.29) for bushing B1 to B3, add 0.50 (1.27) for bushing B7.

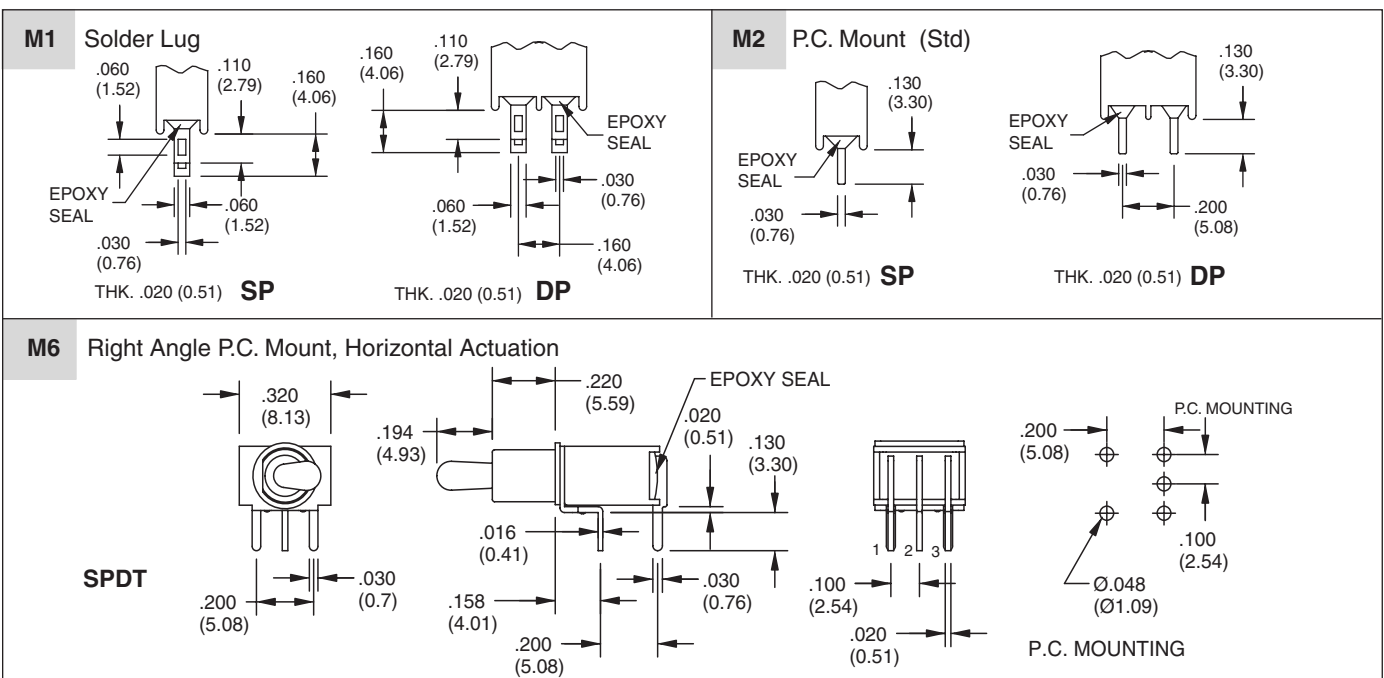
**BUSHING OPTIONS** in inches (and millimeters)



**PANEL MOUNTING** in inches (and millimeters)

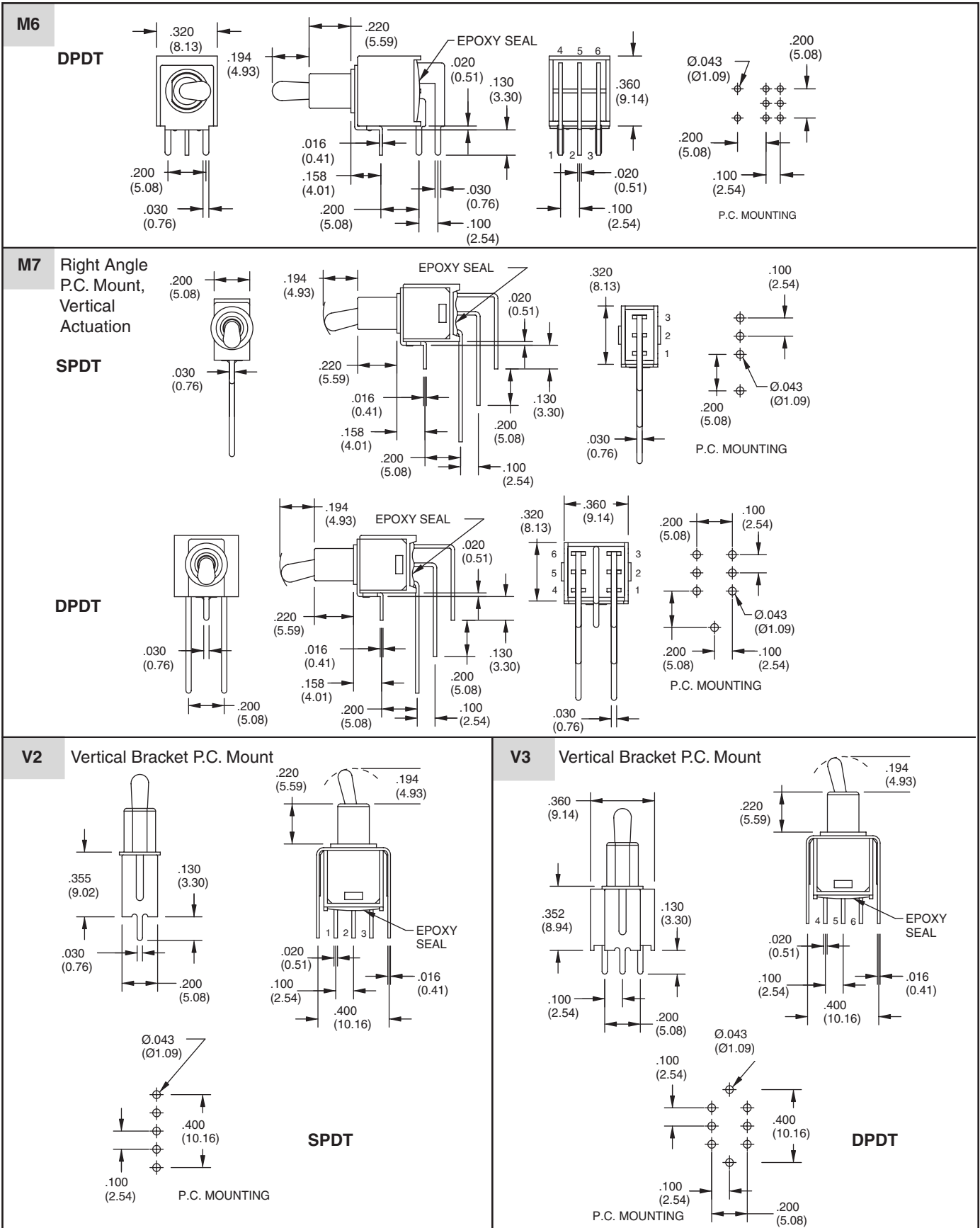


**TERMINATION OPTIONS** in inches (and millimeters)



Toggle Switches

TERMINATION OPTIONS in inches (and millimeters)



**SPECIFICATIONS**

**RATINGS**

**Contact Rating:** Q option - 3A with resistive load @ 125VAC or 28 VDC; 1.5A with resistive load @ 250 VAC. R option-0.4 VA max @ 20 Vmax (AC or DC)

**Electrical Life:** 30,000 make-and-break cycles at full load

**Contact Resistance:** 10 milliohms max. initial @ 2-4 VDC, 100 mA

**Insulation Resistance:** 1,000 megaohms minimum

**Dielectric Strength:** 1,000 V RMS @ sea level

**Operating Temperature:** -30°C to 85°C

**UL Recognition:** File number is E35289

**MATERIALS**

**Case:** Diallyl phthalate (DAP) (UL 94V-0)

**Toggle Handle:** Brass, chrome plated

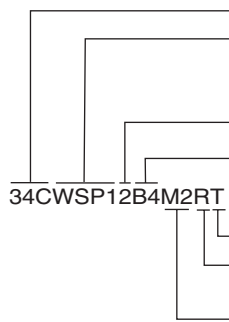
**Bushing:** Brass, nickel plated

**Housing:** Stainless steel

**Terminal/Switch Support:** Brass, electroplated

**Terminal Seal:** Epoxy

**ORDERING INFORMATION**



Series 34C Sub-Miniature Toggle Switches  
 Model: SPDT: MSP1, MSP2, MSP3, MSP4, MSP5  
 DPDT: MDP1, MDP2, MDP3, MDP4, MDP5  
 (See Model options.)  
 Actuator: 1, 2, 3, 4, 5 (See Actuator options.)  
 Bushing Option: B1, B2, B3, B4, B5, B6, B7, B8  
 (See Bushing options.)

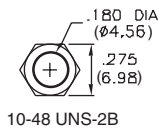
RoHS Compliant  
 Contact: R = Copper alloy, gold plate over nickel plate,  
 Q = Copper alloy over silver plate  
 Termination Options: M1, M2, M6, M7, V2, V3  
 (See Termination options.)

Available from your local Grayhill Component Distributor.

For prices and discounts, contact a local Sales Office, an authorized local Distributor or Grayhill.

**HARDWARE** in inches (and millimeters)

**NUT**

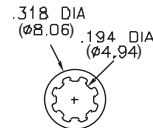


10-48 UNS-2B



HDW21

**LOCK WASHER**



THK  
(0.54) .021

HDW22