



Chipsmall Limited consists of a professional team with an average of over 10 year of expertise in the distribution of electronic components. Based in Hongkong, we have already established firm and mutual-benefit business relationships with customers from,Europe,America and south Asia,supplying obsolete and hard-to-find components to meet their specific needs.

With the principle of “Quality Parts,Customers Priority,Honest Operation,and Considerate Service”,our business mainly focus on the distribution of electronic components. Line cards we deal with include Microchip,ALPS,ROHM,Xilinx,Pulse,ON,Everlight and Freescale. Main products comprise IC,Modules,Potentiometer,IC Socket,Relay,Connector.Our parts cover such applications as commercial,industrial, and automotives areas.

We are looking forward to setting up business relationship with you and hope to provide you with the best service and solution. Let us make a better world for our industry!



Contact us

Tel: +86-755-8981 8866 Fax: +86-755-8427 6832

Email & Skype: info@chipsmall.com Web: www.chipsmall.com

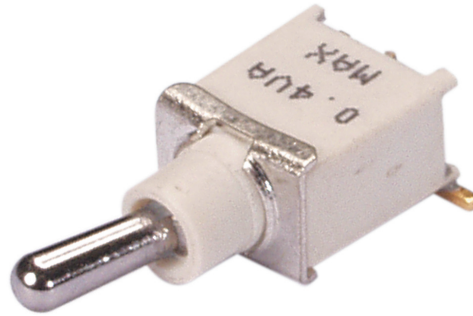
Address: A1208, Overseas Decoration Building, #122 Zhenhua RD., Futian, Shenzhen, China



SERIES 34E Sealed Surface Mount Toggle Switches

FEATURES

- Save Space and Weight
- SPDT Circuitry
- Choice of Actuators and Terminations
- Sealed per IP67



MODELS in inches (and millimeters)

M6

SPDT

MODEL NO.	SWITCH POSITION		
WMSP1	ON	NONE	ON
WMSP2	ON	NONE	(ON)
WMSP3	ON	OFF	ON
WMSP4	(ON)	OFF	(ON)
WMSP5	ON	OFF	(ON)
TERM. COMM.	2-3	OPEN	2-1

()=MOMENTARY

SCHEMATIC

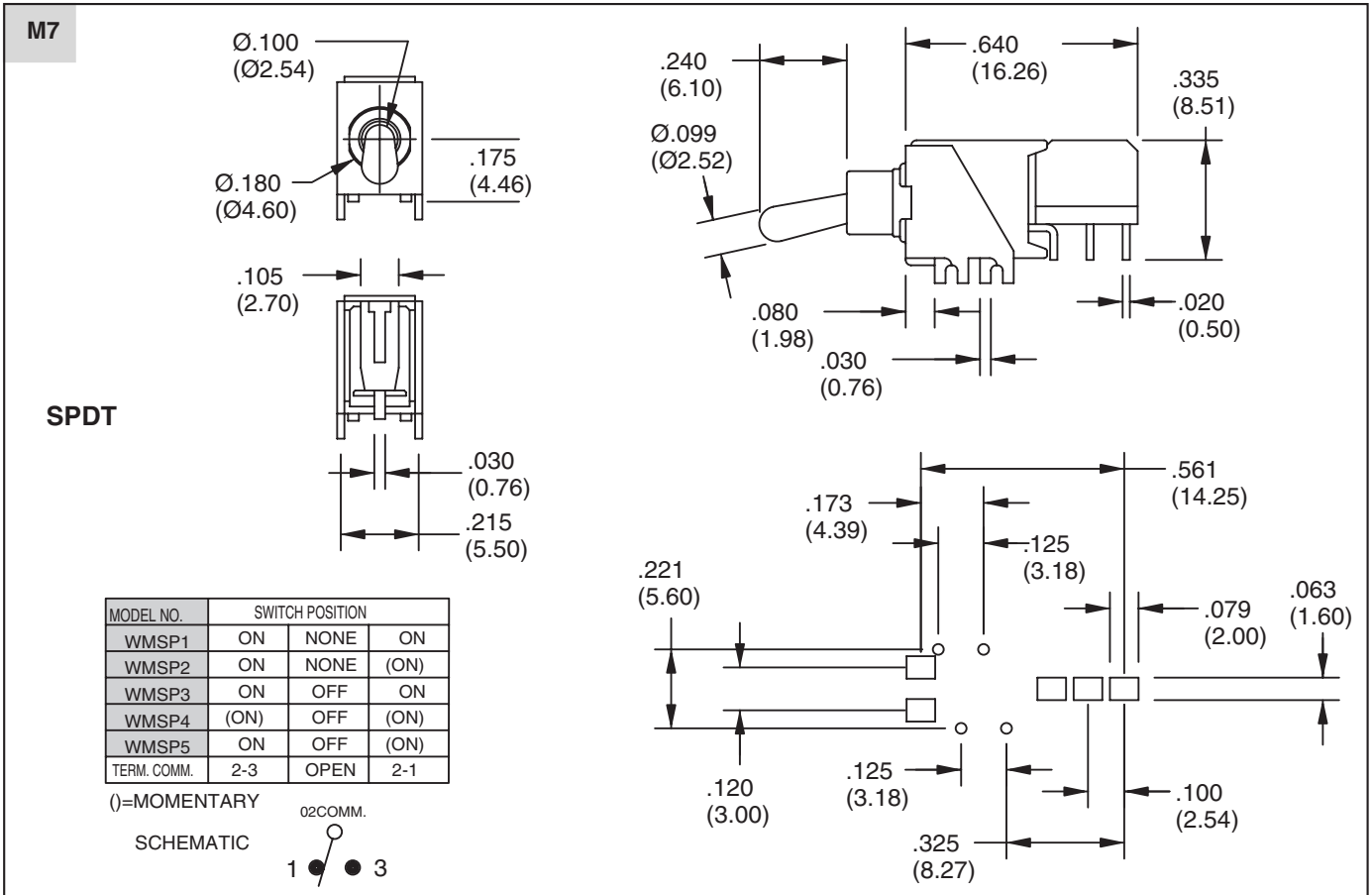
S6

SPDT

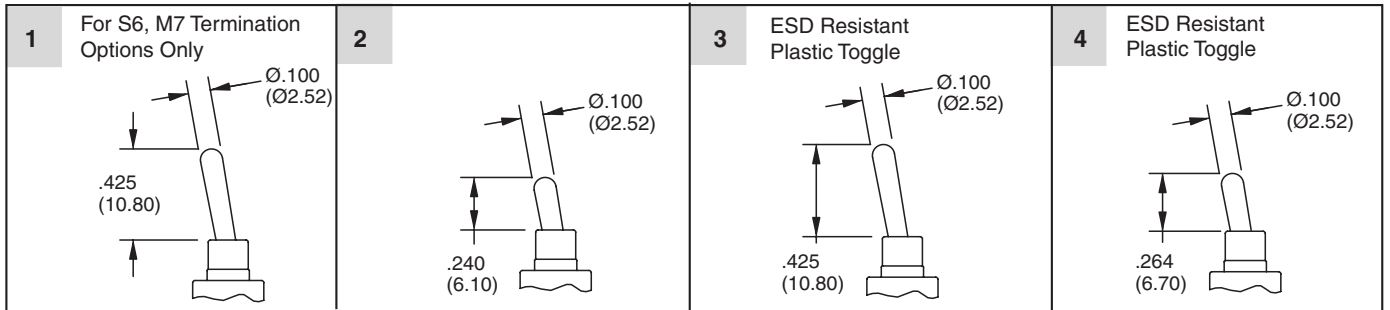
MODEL NO.	SWITCH POSITION		
WMSP1	ON	NONE	ON
WMSP2	ON	NONE	(ON)
WMSP3	ON	OFF	ON
WMSP4	(ON)	OFF	(ON)
WMSP5	ON	OFF	(ON)
TERM. COMM.	2-3	OPEN	2-1

()=MOMENTARY

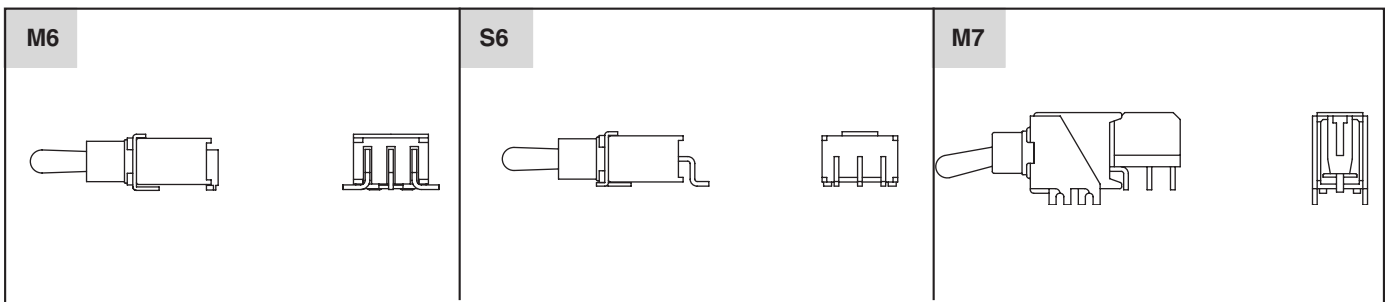
SCHEMATIC



ACTUATOR OPTIONS in inches (and millimeters)

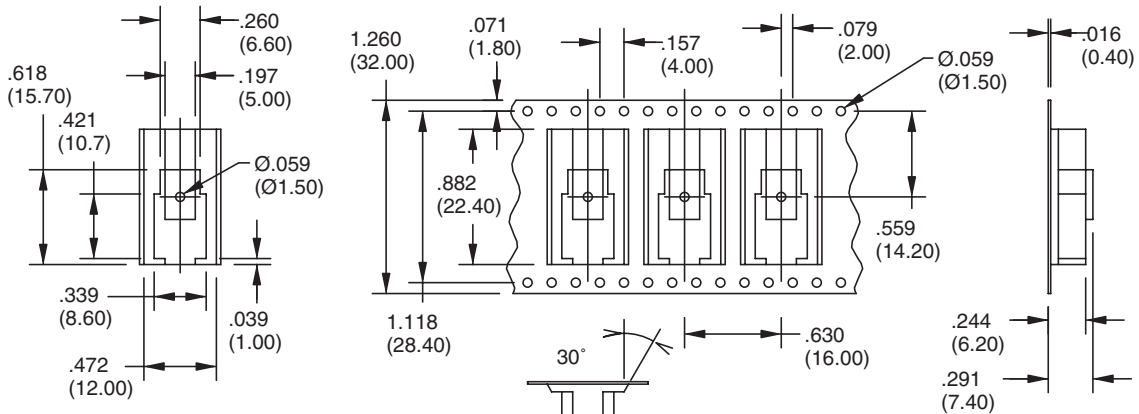


TERMINATION OPTIONS

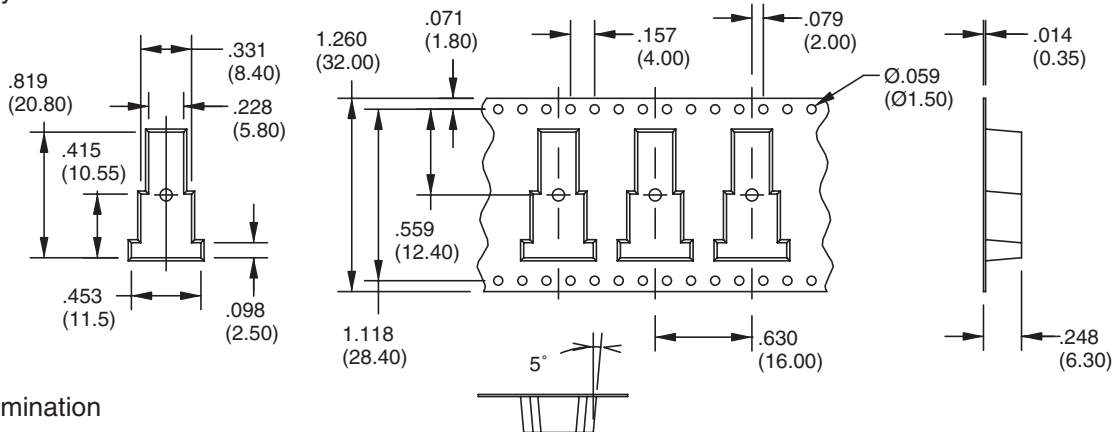


TAPE AND REEL PACKAGING in inches (and millimeters)

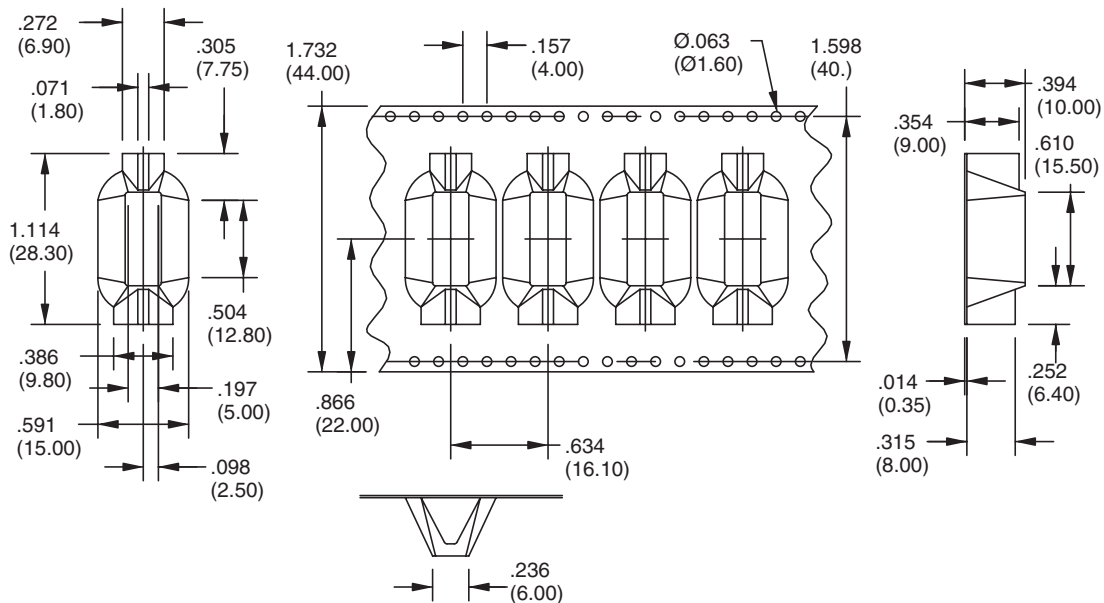
For M6 Termination
Option Only



For S6 Termination
Option Only



For M7 Termination
Option Only



Toggle Switches

SPECIFICATIONS

RATINGS

Contact Rating: 0.4 VA max. @ 20V max. (AC or DC)

Mechanical and Electrical Life: 30,000 make-and-break cycles at full load

Contact Resistance: 20 milliohms max. typ. initial @ 2-4 VDC, 100 mA

Insulation Resistance: 1,000 megaohms minimum

Dielectric Strength: 1,500 V RMS @ sea level

Operating Temperature: -30°C to 85°C

MATERIALS

Case and Bushings: Glass-filled nylon 4/6, flame retardant, heat stabilized (UL94V-0)

Actuator: Brass, chrome plated

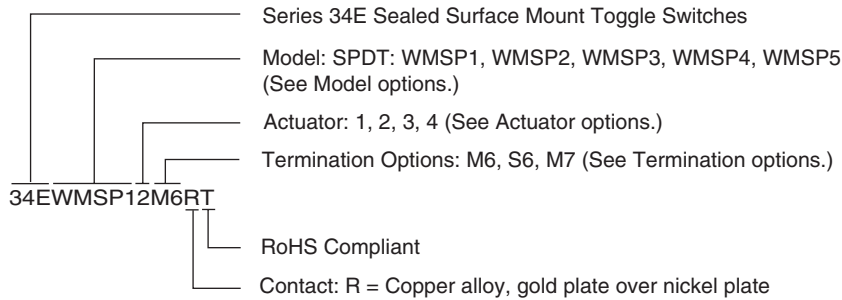
Contacts: Copper alloy, gold plate over nickel plate

Terminals: Copper alloy, tin plate over nickel plate

Terminal Seal: Epoxy

Tape and Reel: 500 pcs/per reel

ORDERING INFORMATION



Available from your local Grayhill Component Distributor.
For prices and discounts, contact a local Sales Office, an authorized local Distributor or Grayhill.