



Chipsmall Limited consists of a professional team with an average of over 10 year of expertise in the distribution of electronic components. Based in Hongkong, we have already established firm and mutual-benefit business relationships with customers from,Europe,America and south Asia,supplying obsolete and hard-to-find components to meet their specific needs.

With the principle of “Quality Parts,Customers Priority,Honest Operation,and Considerate Service”,our business mainly focus on the distribution of electronic components. Line cards we deal with include Microchip,ALPS,ROHM,Xilinx,Pulse,ON,Everlight and Freescale. Main products comprise IC,Modules,Potentiometer,IC Socket,Relay,Connector.Our parts cover such applications as commercial,industrial, and automotives areas.

We are looking forward to setting up business relationship with you and hope to provide you with the best service and solution. Let us make a better world for our industry!



Contact us

Tel: +86-755-8981 8866 Fax: +86-755-8427 6832

Email & Skype: info@chipsmall.com Web: www.chipsmall.com

Address: A1208, Overseas Decoration Building, #122 Zhenhua RD., Futian, Shenzhen, China





Series 35-1 PCB Tainer

WEIGHT

.37g/cm (.033 oz/in)

MATERIALS AND FINISH

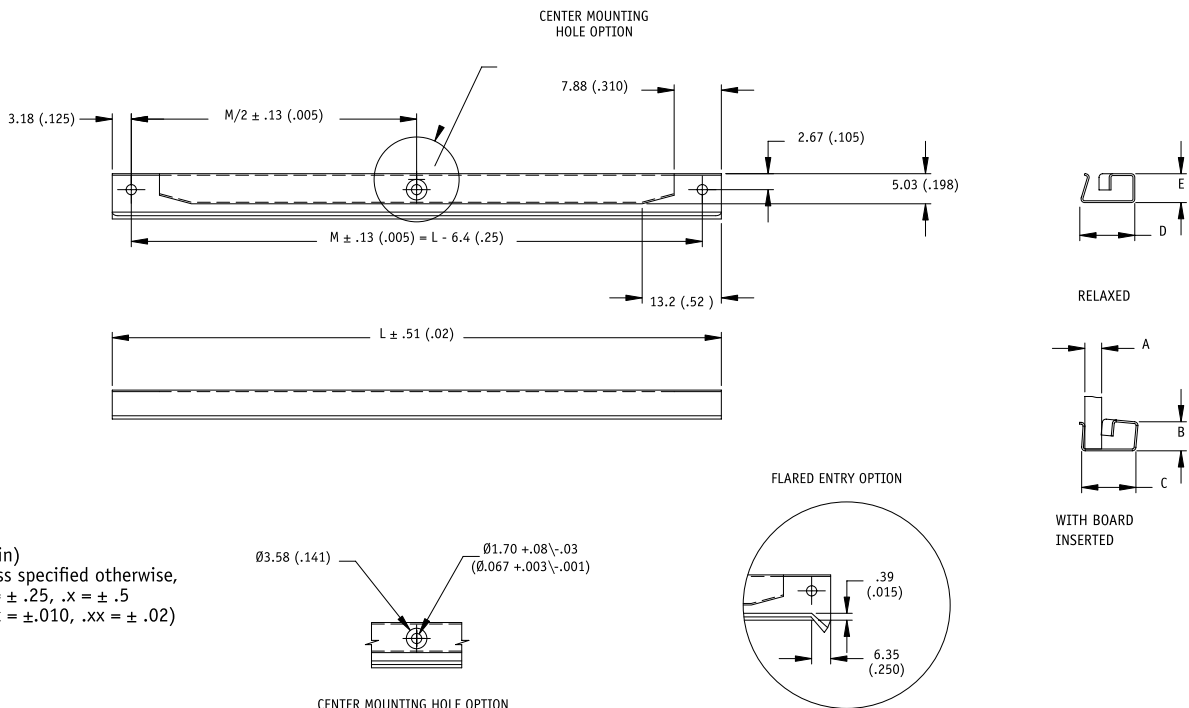
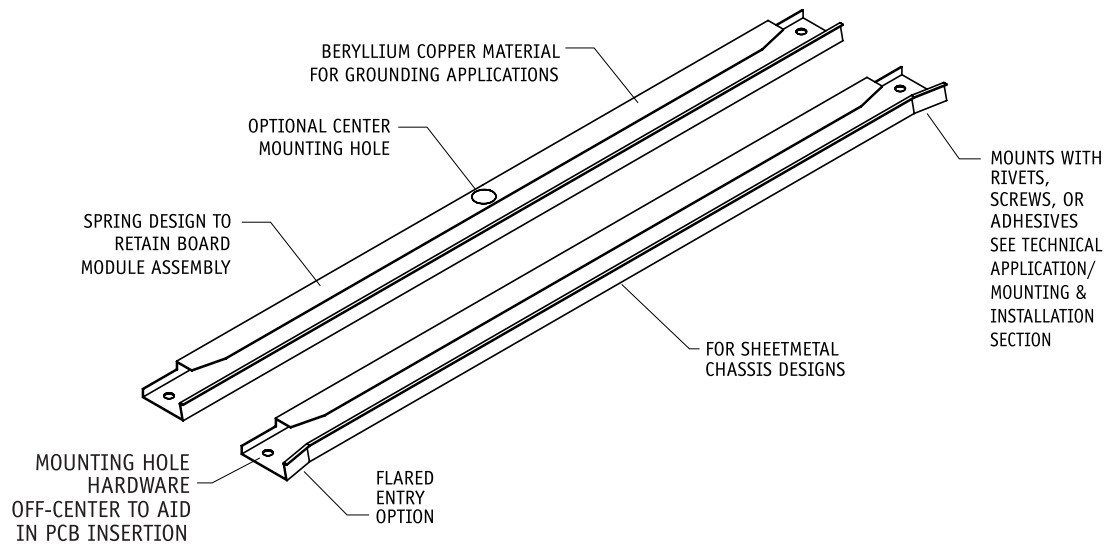
HOUSING

Material:

.008-in. (.20-mm) thick
Beryllium Copper per
ASTM B-194 or Stainless
Steel per ASTM A-366

Finish:

See finish table on
opposite page



Units: mm(in)
unless specified otherwise,
.xx = ± .25, .x = ± .5
(.xxx = ±.010, .xx = ± .02)

MATERIALS TABLE

CODE LETTER	MATERIAL
B	BERYLLIUM COPPER, 1/4H PER ASTM-B-194
BH	BERYLLIUM COPPER, 1/4HT PER QQ-C-533, HEAT TREATED
CR	STAINLESS STEEL, TYPE 301 COND 1/4 H PER AMS 5517

DIMENSION TABLE

DASH #	BOARD THICKNESS					
	A	B	C MAX		D	E
			35-1	35F-1		
-1	0.79 (.031)	4.58 (.180)	8.39 (.330)	9.15 (.360)	7.57 (.298)	3.97 (.156)
-2	1.59 (.063)	4.58 (.180)	8.39 (.330)	9.15 (.360)	7.57 (.298)	3.97 (.156)
-3	2.38 (.094)	4.58 (.180)	8.39 (.330)	9.15 (.360)	7.57 (.298)	3.97 (.156)
-4	3.18 (.125)	4.58 (.180)	9.40 (.370)	10.16 (.400)	8.39 (.330)	3.97 (.156)

FINISH TABLE

DASH #	FINISH
[blank]	SILVER PLATE PER QQ-S-365, TYPE III, GRADE A
-1	NONE
-2	EBANOL PER MIL-F-495 FOR BERYLLIUM COPPER PER MIL-C-13924 FOR STEEL
-3	CADMIUM PER QQ-P-416, TYPE 2, CLASS 2
-4	COPPER PLATE PER MIL-C-14550, CLASS 2
-5	GOLD PLATE PER MIL-G-45204, TYPE 1, GLASS 1
-6	NICKEL PLATE PER QQ-N-290, CLASS 1, GRADE G, BRIGHT
-7	ZINC PLATE CLEAR CHROMATE, PER ASTM-B-633, Fe/Zn 8
-8	ZINC PLATE YELLOW CHROMATE, PER ASTM-B-633, Fe/Zn 8

Part Number Code

Series 35-1 PCB-TAINER 35 C F - 1 B - 2 - 10 - 5

Center Mounting Hole:
 Center Mounting Hole: _____ C
 None: _____ [Blank]

Flared Entry
 Flared Entry: _____ F
 None: _____ [Blank]

Material
 Beryllium Copper _____ B
 or select from Materials Table

Board Thickness
 1.59 (.063) PCB Thickness _____ 2
 or select from Dimension Table

Length
 Length in 12.7 (.50) increments _____ 4 [50.8 (2.00)]
 _____ to 12 [152.4 (6.00)]
 Special Length _____ 15 [190.5 (7.50)]

Finish
 Gold Plate _____ 5
 or select from Finish Table

No dash number required for CR material. Stainless steel parts are passivated only.

Part Number Code example:

35C-1B-2-4-7

Series 35-1 PCB-TAINER, with center mounting hole, Beryllium Copper, for 1.59-mm (.063-in.) thick board, 50.8-mm (2.00-in.) long, zinc plate clear chromate finish