



Chipsmall Limited consists of a professional team with an average of over 10 year of expertise in the distribution of electronic components. Based in Hongkong, we have already established firm and mutual-benefit business relationships with customers from,Europe,America and south Asia,supplying obsolete and hard-to-find components to meet their specific needs.

With the principle of “Quality Parts,Customers Priority,Honest Operation,and Considerate Service”,our business mainly focus on the distribution of electronic components. Line cards we deal with include Microchip,ALPS,ROHM,Xilinx,Pulse,ON,Everlight and Freescale. Main products comprise IC,Modules,Potentiometer,IC Socket,Relay,Connector.Our parts cover such applications as commercial,industrial, and automotives areas.

We are looking forward to setting up business relationship with you and hope to provide you with the best service and solution. Let us make a better world for our industry!



Contact us

Tel: +86-755-8981 8866 Fax: +86-755-8427 6832

Email & Skype: info@chipsmall.com Web: www.chipsmall.com

Address: A1208, Overseas Decoration Building, #122 Zhenhua RD., Futian, Shenzhen, China



HEAVY DUTY TOGGLES



Fig. 1



Fig. 2



Fig. 3



Fig. 4



Fig. 5



Fig. 6



Fig. 7



Fig. 8



Fig. 9



Fig. 10



Fig. 11



Fig. 12

Retail Part No.	Bulk Part No.	Fig. No.	Circuit Function	Poles/Throws	AMPS 125VAC	AMPS 250VAC	HP 125-250VAC	Actuator Style	Actuator Material	Bushing Length	Mounting Hole	Terminal Type	Hardware	Spec. Drawing Page No.
35-078	35-078-BU	1	On Off	SPST	15	10	3/4	Bat	Metal	0.465	0.500	Solder	N, KN	277-A
35-143	35-143-BU	2	On Off On	4PDT	15	10	3/4	Bat	Metal	0.465	0.500	Screw	N, FN, Sc	277-B
35-145	35-145-BU	2	On Off	4PST	15	10	3/4	Bat	Metal	0.465	0.500	Screw	N, FN, Sc	277-B
35-3080	35-3080-BU	2	On On	4PDT	15	10	3/4	Bat	Metal	0.465	0.500	Screw	N, FN, Sc	277-B
35-3135	35-3135-BU	3	** 1On Off †	†	15	10	1/2	Bat	Brass	0.468	0.500	Screw	N, FN, Sc	277-C
35-126	35-126-BU	4	On Off	DPST	16	8	1	Bat	Metal	0.465	0.500	Screw	N, FN	277-D
35-3070	35-3070-BU	4	On Off	SPST	16	8	1	Bat	Metal	0.465	0.500	Screw	N, Sc	277-E
35-139	35-139-BU	5	On Off	3PST	17	12	1-1/2	Bat	Metal	0.465	0.500	Screw	N, FN, Sc	277-F
35-140	35-140-BU	5	On Off On	3PDT	17	12	1-1/2	Bat	Metal	0.465	0.500	Screw	N, FN, Sc	277-F
35-141	35-141-BU	5	On On	3PDT	17	12	1-1/2	Bat	Metal	0.465	0.500	Screw	N, FN, Sc	277-F
35-080	35-080-BU	6	On Off	SPST	20	10*	3/4	Bat	Metal	0.470	0.500	Screw	N, KN, Sc, ID	277-G
35-110	35-110-BU	6	On Off On	SPDT	20	10*	3/4	Bat	Metal	0.470	0.500	Screw	N, KN, Sc	277-H
35-130	35-130-BU	6	On On	SPDT	20	10*	3/4	Bat	Metal	0.470	0.500	Screw	N, KN, Sc	277-H
35-144	35-144-BU	7	On On	DPDT	20	10*	1-1/2	Bat	Metal	0.465	0.500	Solder	N, KN	277-I
35-146	35-146-BU	6	On On	DPDT	20	10*	1-1/2	Bat	Metal	0.470	0.500	Screw	N, KN, Sc	277-I
35-148	35-148-BU	6	On Off On	DPDT	20	10*	1-1/2	Bat	Metal	0.470	0.500	Screw	N, KN, Sc	277-I
35-149	35-149-BU	7	On Off On	DPDT	20	10	3/4	Bat	Metal	0.465	0.500	Solder	N, KN	277-I
35-150	35-150-BU	6	(On) Off (On)	DPDT	20	10*	1-1/2	Bat	Metal	0.470	0.500	Screw	N, KN, Sc	277-I
35-151	35-151-BU	6	On Off (On)	DPDT	20	10*	1-1/2	Bat	Metal	0.470	0.500	Screw	N, KN, Sc	277-I
35-153	35-153-BU	8	On Off (On)	SPDT	20	10*	3/4	Bat	Metal	0.470	0.500	Screw	N, KN, Sc	277-H
35-155	35-155-BU	8	(On) Off (On)	SPDT	20	10*	3/4	Bat	Brass	0.325	0.500	Screw	N, KN, Sc	277-H
35-185	35-185-BU	3	On Off	DPST	20	10*	1-1/2	Bat	Metal	0.465	0.500	QC .250"	N, KN	277-J
35-3005	35-3005-BU	10	On Off	SPST	20	10	3/4	Bat	Brass	0.325	0.500	QC .250"	N, KN	277-K
35-3010	35-3010-BU	9	On On	SPDT	20	10	3/4	Bat	Brass	0.325	0.500	QC .250"	N, KN	277-K
35-3015	35-3015-BU	9	On Off On	SPDT	20	10	3/4	Bat	Brass	0.325	0.500	QC .250"	N, KN	277-K
35-3020	35-3020-BU	7	On On	DPDT	20	10*	1-1/2	Bat	Brass	0.468	0.500	QC .250"	N, KN	277-L
35-3025	35-3025-BU	7	On Off On	DPDT	20	10*	1-1/2	Bat	Brass	0.468	0.500	QC .250"	N, KN	277-L
35-3045	35-3045-BU	10	On Off	DPST	20	10	3/4	Bat	Brass	0.468	0.500	QC .250"	N, KN	277-M
35-3055	35-3055-BU	9	Off (On)	SPST	20	10	3/4	Bat	Brass	0.468	0.500	QC .250"	N, KN	277-K
35-3056	35-3056-BU	9	On Off	SPST	20	10	3/4	Bat	Brass	0.325	0.500	Solder	N, KN	277-K
35-3060	35-3060-BU	3	On Off	DPST	20	10*	1-1/2	Bat	Brass	0.468	0.500	Screw	N, KN, Sc	277-N
35-3075	35-3075-BU	11	On Off	DPST	20	10	1-1/2	Bat	Brass	0.465	0.500	Screw	N, Sc	277-E
35-3170	35-3170-BU	12	On Off	SPST	***	***	1/2	Bat	Brass	0.500	0.438	Screw	KN, Sc	277-O

Notes: (On)/(Off)=Momentary On/Off
 *Rated @ 277VAC
 **1&2 On
 ***Rated 20A @ 12VDC
 FN=Face Nut
 †=Progressive Two Circuit

ID=ID Plate
 KN=Knurled Nut
 N=Nut
 QC=Quick Connect
 Sc=Screw

Note: All figures are for illustration purpose only, and the number/type of terminals may vary.

LIGHTED TOGGLES



Fig. 1



Fig. 2



Fig. 3



Fig. 4

Retail Part No.	Bulk Part No.	Figure No.	Circuit Function	Poles/Throws	AMPS 12 VDC	Actuator Style	Lamp Color	Terminal Type	Bushing Length	Mounting Hole	Hardware	Spec. Drawing Page/Part No.
35-3300	35-3300-BU	1	On Off	SPST	20	LED Tip	Lighted Red LED	QC .250"	0.400"	0.500"	KN	279-A
35-3301	35-3301-BU	1	On Off	SPST	20	LED Tip	Lighted Green LED	QC .250"	0.400"	0.500"	KN	279-A
35-3302	35-3302-BU	1	On Off	SPST	20	LED Tip	Lighted Amber LED	QC .250"	0.400"	0.500"	KN	279-A
35-3303	35-3303-BU	1	On Off	SPST	20	LED Tip	Lighted Blue LED	QC .250"	0.400"	0.500"	KN	279-A
35-3310	35-3310-BU	2	On Off	SPST	20	LED Duckbill	Lighted Red LED	QC .250"	0.400"	0.500"	KN	279-B
35-3311	35-3311-BU	2	On Off	SPST	20	LED Duckbill	Lighted Green LED	QC .250"	0.400"	0.500"	KN	279-B
35-3312	35-3312-BU	2	On Off	SPST	20	LED Duckbill	Lighted Amber LED	QC .250"	0.400"	0.500"	KN	279-B
35-3313	35-3313-BU	2	On Off	SPST	20	LED Duckbill	Lighted Blue LED	QC .250"	0.400"	0.500"	KN	279-B
35-3320	35-3320-BU	3	On Off	SPST	20	LED Paddle	Lighted Red LED	QC .250"	N/A	0.944"	N/A	279-C
35-3321	35-3321-BU	3	On Off	SPST	20	LED Paddle	Lighted Green LED	QC .250"	N/A	0.944"	N/A	279-C
35-3322	35-3322-BU	3	On Off	SPST	20	LED Paddle	Lighted Amber LED	QC .250"	N/A	0.944"	N/A	279-C
35-3323	35-3323-BU	3	On Off	SPST	20	LED Paddle	Lighted Blue LED	QC .250"	N/A	0.944"	N/A	279-C
35-3330	35-3330-BU	4	On Off	SPST	20	LED Tip	Lighted Red LED	QC.187"/Solder	N/A	0.866"	N/A	279-D
35-3331	35-3331-BU	4	On Off	SPST	20	LED Tip	Lighted Green LED	QC.187"/Solder	N/A	0.866"	N/A	279-D
35-3332	35-3332-BU	4	On Off	SPST	20	LED Tip	Lighted Amber LED	QC.187"/Solder	N/A	0.866"	N/A	279-D
35-3333	35-3333-BU	4	On Off	SPST	20	LED Tip	Lighted Blue LED	QC.187"/Solder	N/A	0.866"	N/A	279-D

Note: All figures are for illustration purpose only, and the number/type of terminals may vary
 QC=Quick Connect
 KN=Knurled Nut

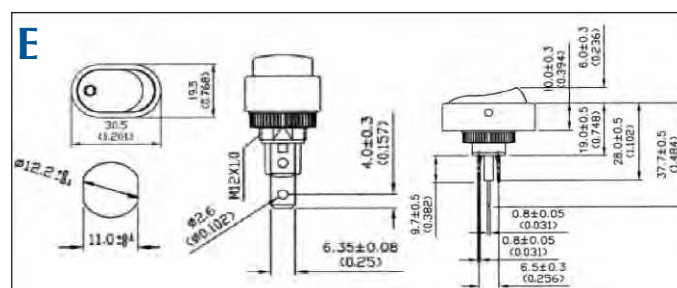
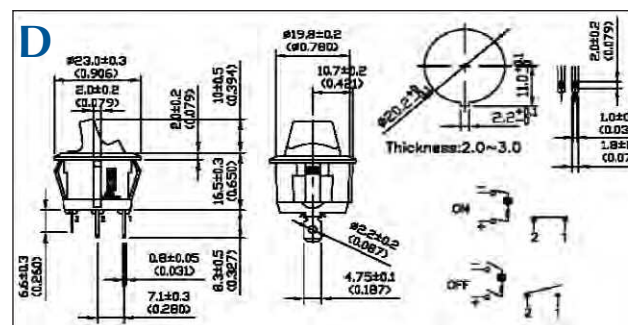
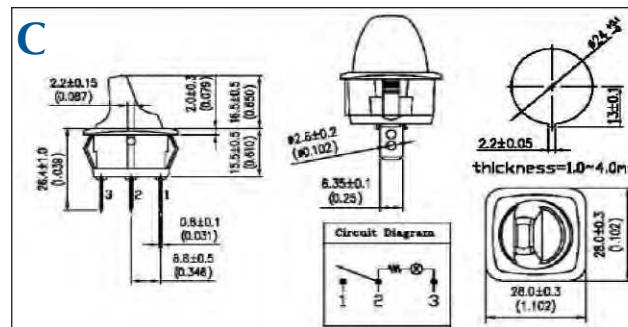
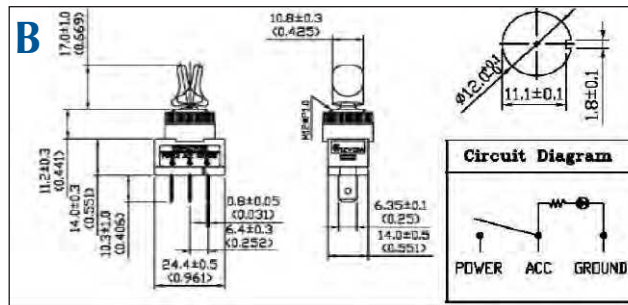
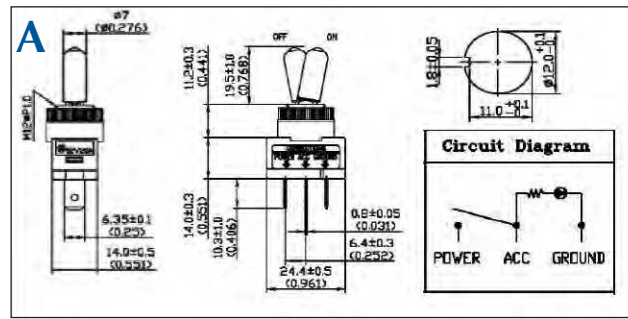
LIGHTED ROCKER



Fig. 5

Retail Part No.	Bulk Part No.	Figure No.	Circuit Function	Poles/Throws	AMPS 12 VDC	Actuator Style	Lamp Color	Terminal Type	Bushing Length	Mounting Hole	Hardware	Spec. Drawing Page/Part No.
35-3370	35-3370-BU	5	On Off	SPST	30	LED Oval Rocker	Lighted Red LED	QC .250"	0.350"	0.500"	KN	279-E
35-3371	35-3371-BU	5	On Off	SPST	30	LED Oval Rocker	Lighted Green LED	QC .250"	0.350"	0.500"	KN	279-E
35-3372	35-3372-BU	5	On Off	SPST	30	LED Oval Rocker	Lighted Amber LED	QC .250"	0.350"	0.500"	KN	279-E
35-3373	35-3373-BU	5	On Off	SPST	30	LED Oval Rocker	Lighted Blue LED	QC .250"	0.350"	0.500"	KN	279-E

Note: All figures are for illustration purpose only, and the number/type of terminals may vary
 QC=Quick Connect
 KN=Knurled Nut



Switches