



Chipsmall Limited consists of a professional team with an average of over 10 year of expertise in the distribution of electronic components. Based in Hongkong, we have already established firm and mutual-benefit business relationships with customers from,Europe,America and south Asia,supplying obsolete and hard-to-find components to meet their specific needs.

With the principle of “Quality Parts,Customers Priority,Honest Operation,and Considerate Service”,our business mainly focus on the distribution of electronic components. Line cards we deal with include Microchip,ALPS,ROHM,Xilinx,Pulse,ON,Everlight and Freescale. Main products comprise IC,Modules,Potentiometer,IC Socket,Relay,Connector.Our parts cover such applications as commercial,industrial, and automotives areas.

We are looking forward to setting up business relationship with you and hope to provide you with the best service and solution. Let us make a better world for our industry!



Contact us

Tel: +86-755-8981 8866 Fax: +86-755-8427 6832

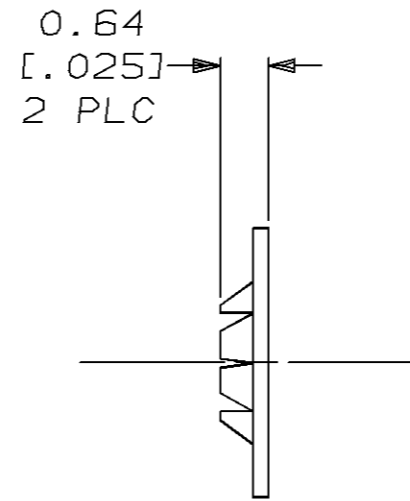
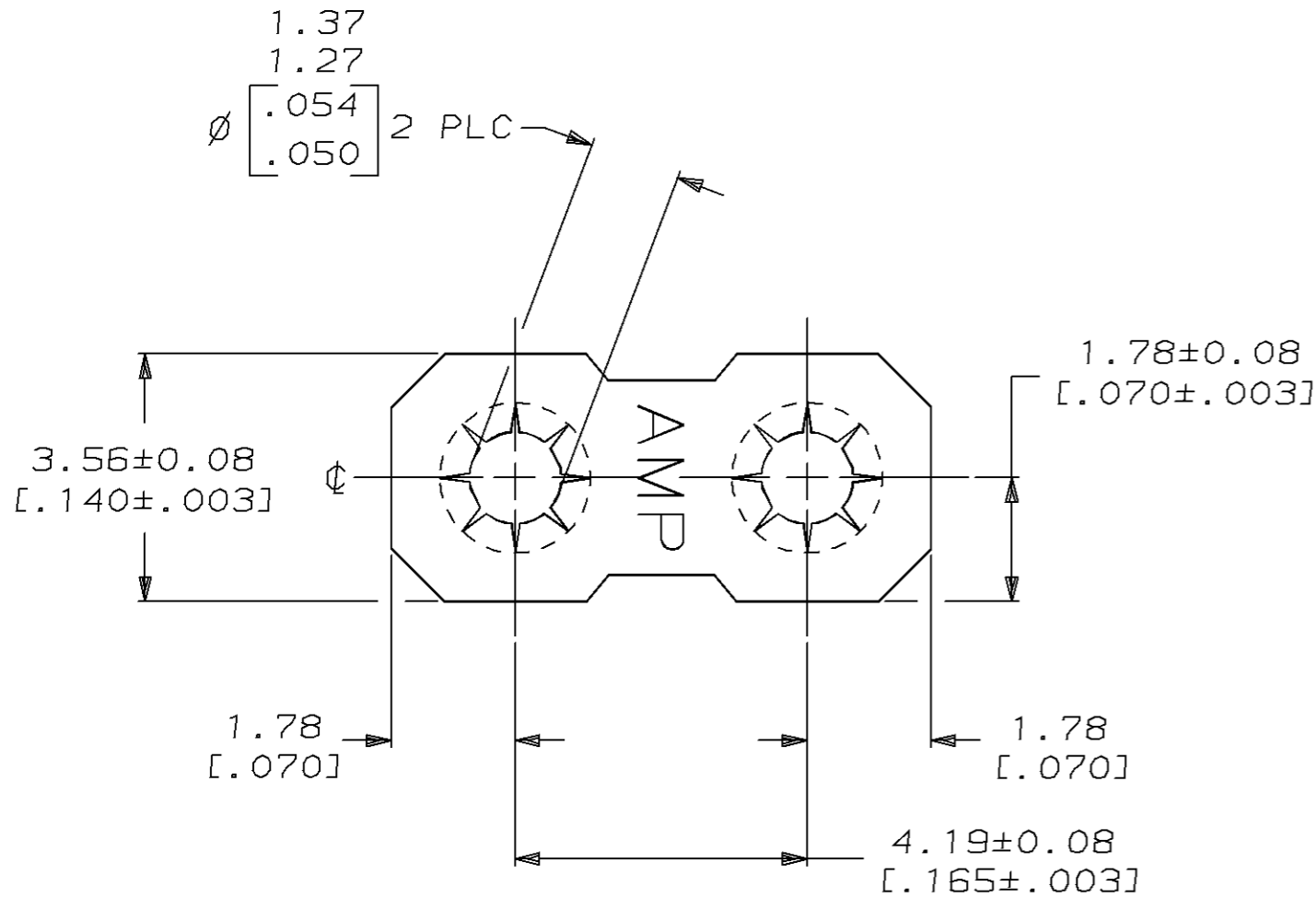
Email & Skype: info@chipsmall.com Web: www.chipsmall.com

Address: A1208, Overseas Decoration Building, #122 Zhenhua RD., Futian, Shenzhen, China



THIS DRAWING IS UNPUBLISHED. RELEASED FOR PUBLICATION, 19
 © COPYRIGHT 19 BY AMP INCORPORATED. ALL INTERNATIONAL RIGHTS RESERVED.

LOC	DIST	P	F	ZONE	LTR	REVISIONS	DATE	APPD
CM	52				E	REV & REDWN PER EC 0730-0059-95	3-21-95	KS



- 1. 0.00076 [.000030] MIN GOLD OVER
0.00127 [.000050] MIN NICKEL.
- 2. DIMENSIONS IN BRACKETS ARE IN INCHES.

GOLD ¹	0.20 [.008] BRASS	350020-2
PRE-TIN	0.20 [.008] BRASS	350020-1

FINISH	MATERIAL	PART NO
DO NOT SCALE PRINT. UNLESS SPECIFIED DIMENSIONS IN mm [INCHES] TOLERANCES ON: 2 PLC DEC ± 0.13 [.005] 3 PLC DEC ± - ANGLES ± -	DR 3-21-95 K. SALMON CHK 3-21-95 R. SWING APPD 3-21-95 W. LONG APPD 3-21-95 W. LONG PRODUCT SPEC -	AMP AMP Incorporated Harrisburg, PA 17105-3608
MATERIAL SEE TABLE	APPLICATION SPEC -	NAME COMMONING BAR, 2 POSITION
FINISH SEE TABLE	WEIGHT -	SIZE B CAGE CODE 00779 DRAWING NO C-350020
		SCALE 10:1 SHEET 1 OF 1

METRIC

THIS DRAWING IS A CONTROLLED DOCUMENT FOR AMP INCORPORATED. IT IS SUBJECT TO CHANGE AND THE CONTROLLING ENGINEERING ORGANIZATION SHOULD BE CONTACTED FOR THE LATEST REVISION.