



Chipsmall Limited consists of a professional team with an average of over 10 year of expertise in the distribution of electronic components. Based in Hongkong, we have already established firm and mutual-benefit business relationships with customers from,Europe,America and south Asia,supplying obsolete and hard-to-find components to meet their specific needs.

With the principle of “Quality Parts,Customers Priority,Honest Operation,and Considerate Service”,our business mainly focus on the distribution of electronic components. Line cards we deal with include Microchip,ALPS,ROHM,Xilinx,Pulse,ON,Everlight and Freescale. Main products comprise IC,Modules,Potentiometer,IC Socket,Relay,Connector.Our parts cover such applications as commercial,industrial, and automotives areas.

We are looking forward to setting up business relationship with you and hope to provide you with the best service and solution. Let us make a better world for our industry!



## Contact us

Tel: +86-755-8981 8866 Fax: +86-755-8427 6832

Email & Skype: info@chipsmall.com Web: www.chipsmall.com

Address: A1208, Overseas Decoration Building, #122 Zhenhua RD., Futian, Shenzhen, China



4

3

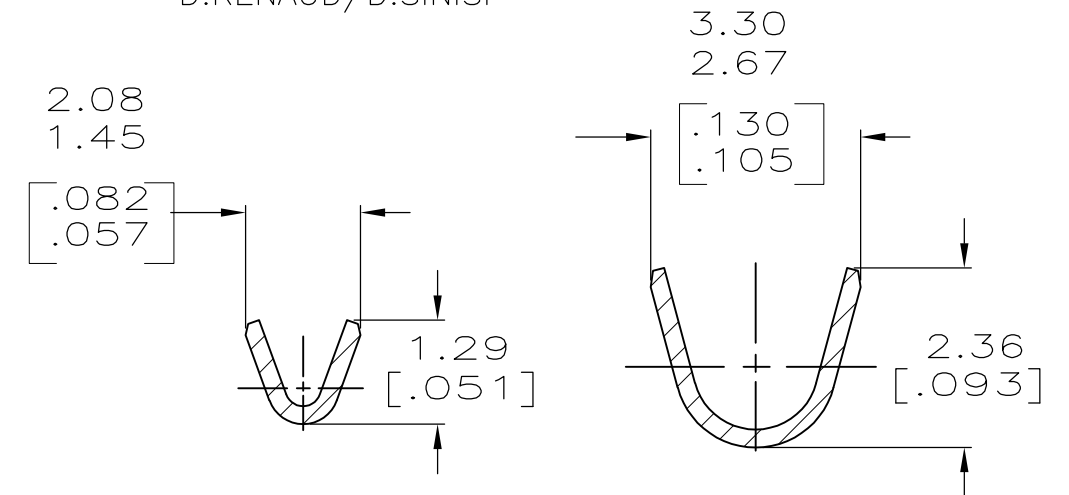
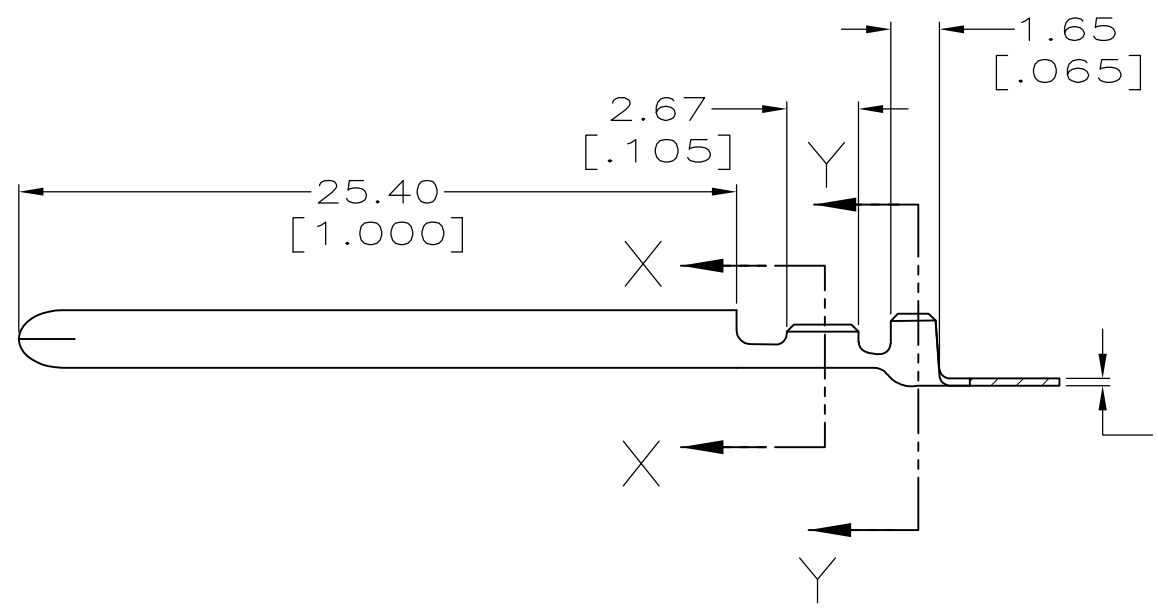
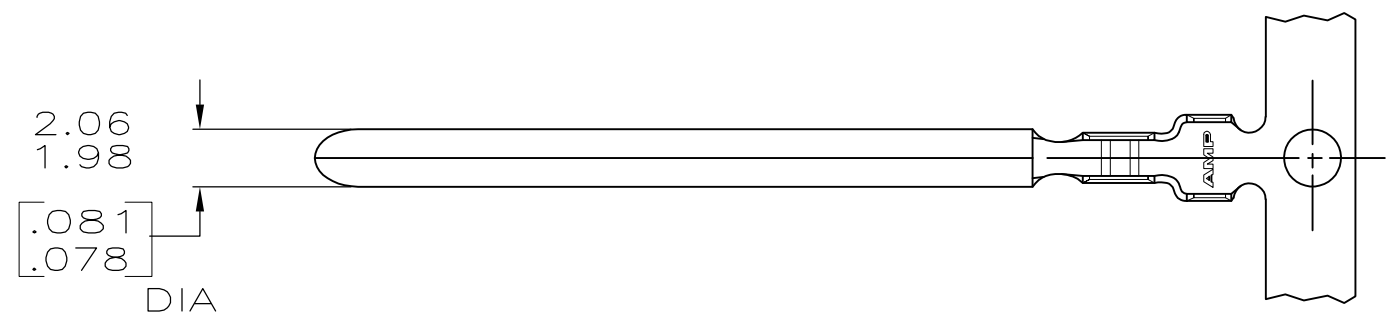
2

1

THIS DRAWING IS UNPUBLISHED. RELEASED FOR PUBLICATION .19 .  
 © COPYRIGHT 19 BY AMP INCORPORATED. ALL RIGHTS RESERVED.

LOC	DIST	REVISIONS					
		P	LTR	DESCRIPTION	DATE	DWN	APVD
AF	50		C	REDRAWN & REV ON CAD PER 0G3A-0319-99	17DEC99	JR	DD
			C1	REVISED PER ECO-09-021510	08SEP09	KK	AEG

- 1 CONTINUOUS STRIP ON REELS
- 2 WIRE SIZE #30-#26 AWG.
- 3 INSULATION DIA IS 1.07-1.85 [.042-.073] DIA.
- ⚠4 PRELIMINARY - NOT FOR PRODUCTION
- ⚠5 OBSOLETE PARTS: OBSOLETE CIS STREAMLINING PER D.RENAUD/D.SINISI



SECTION X-X SCALE 10:1  
SECTION Y-Y SCALE 10:1

⚠5 OBSOLETE	GOLD/TIN	⚠4 350053-3
	0.002032 [.000080] MIN TIN	350053-2
	FINISH	PART NO.

THIS DRAWING IS A CONTROLLED DOCUMENT.		DWN	JR RUTH	17DEC99	<b>AMP</b> AMP Incorporated Harrisburg, PA 17105-3608				
DIMENSIONS: MM [INCHES]		CHK	MS FEHER	17DEC99					
TOLERANCES UNLESS OTHERWISE SPECIFIED:		APVD	D DECKER	17DEC99	NAME				
0 PLC ±-		PRODUCT SPEC	-		PIN, 2.03 [.080] DIA				
1 PLC ±-		APPLICATION SPEC	-						
2 PLC ±0.38 [.015]		WEIGHT	-		SIZE	CAGE CODE	DRAWING NO	RESTRICTED TO	
3 PLC ±-		MATERIAL	082 BRASS	FINISH	SEE TABLE	A3	00779	C- 350053	-
4 PLC ±-									
ANGLES ±-		CUSTOMER DRAWING		SCALE	4:1	SHEET	1 OF 1	REV	C1