



Chipsmall Limited consists of a professional team with an average of over 10 year of expertise in the distribution of electronic components. Based in Hongkong, we have already established firm and mutual-benefit business relationships with customers from,Europe,America and south Asia,supplying obsolete and hard-to-find components to meet their specific needs.

With the principle of "Quality Parts,Customers Priority,Honest Operation,and Considerate Service",our business mainly focus on the distribution of electronic components. Line cards we deal with include Microchip,ALPS,ROHM,Xilinx,Pulse,ON,Everlight and Freescale. Main products comprise IC,Modules,Potentiometer,IC Socket,Relay,Connector.Our parts cover such applications as commercial,industrial, and automotives areas.

We are looking forward to setting up business relationship with you and hope to provide you with the best service and solution. Let us make a better world for our industry!



Contact us

Tel: +86-755-8981 8866 Fax: +86-755-8427 6832

Email & Skype: info@chipsmall.com Web: www.chipsmall.com

Address: A1208, Overseas Decoration Building, #122 Zhenhua RD., Futian, Shenzhen, China



4

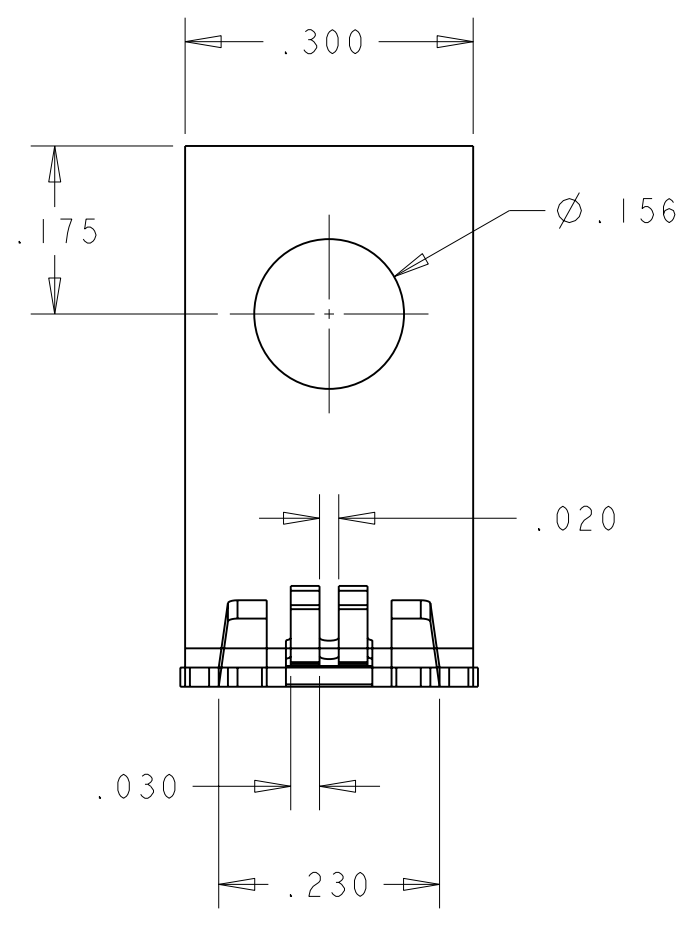
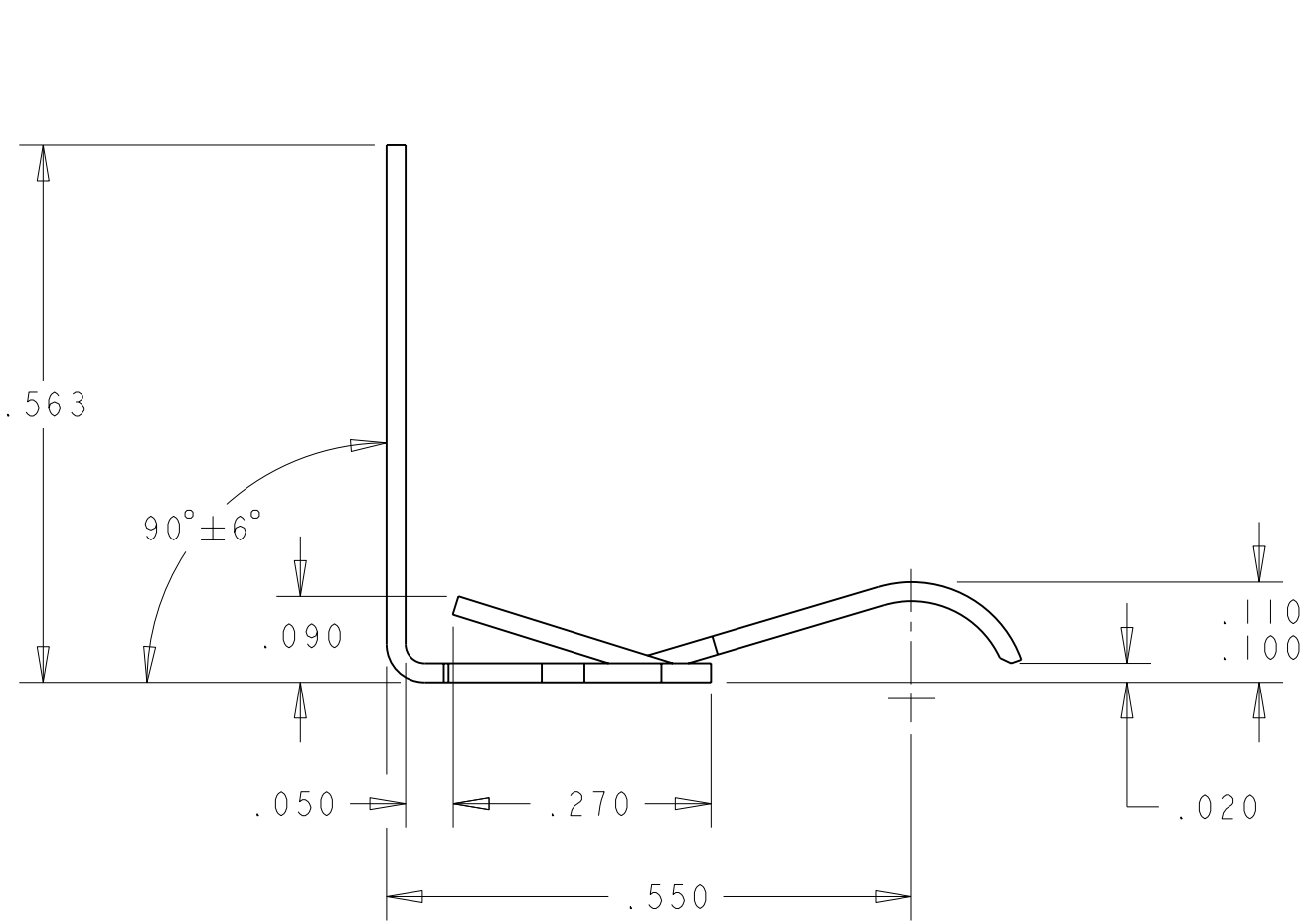
3

2

1

THIS DRAWING IS UNPUBLISHED. RELEASED FOR PUBLICATION 20
 © COPYRIGHT 20 BY TYCO ELECTRONICS CORPORATION. ALL RIGHTS RESERVED.

LOC	DIST	REVISIONS			
P	LTR	DESCRIPTION	DATE	DWN	APVD
FT	0				
	J	REVISED ECO-06-000922	01FEB2006	SW	SH
	K	REVISED ECO-06-003313	27FEB2006	SW	SH
	L	REVISED ECO-06-004693	01MAR2006	SW	DC



FINISH	PART NUMBER
TIN OVER NICKEL	1-350056-2
OBSOLETE .000015 GOLD OVER NICKEL	350056-4
.000030 GOLD OVER NICKEL	350056-3
TIN-LEAD OVER NICKEL	350056-2
GOLD FLASH OVER NICKEL	350056-1

<small>THIS DRAWING IS A CONTROLLED DOCUMENT FOR TYCO ELECTRONICS CORPORATION IT IS SUBJECT TO CHANGE AND THE CONTROLLING ENGINEERING ORGANIZATION SHOULD BE CONTACTED FOR THE LATEST REVISION.</small>		DWN S. WELDON 31 JAN 2006 CHK S. HEADER 31 JAN 2006 APVD S. HEADER 31 JAN 2006	AMP Tyco Electronics Harrisburg, PA 17105-3608
DIMENSIONS: INCHES	TOLERANCES UNLESS OTHERWISE SPECIFIED: 0 PLC ±0 1 PLC ±0 2 PLC ±.02 3 PLC ±.005 4 PLC ±.0005 ANGLES ±0° 30'	PRODUCT SPEC - APPLICATION SPEC - WEIGHT -	NAME CONTACT, LOOSE PIECE, MULTIPLE TAP SIZE A3 CAGE CODE 00779 DRAWING NO C-350056 RESTRICTED TO -
MATERIAL -	FINISH -	CUSTOMER DRAWING SCALE 5:1 SHEET 1 OF 1 REV L	