



Chipsmall Limited consists of a professional team with an average of over 10 year of expertise in the distribution of electronic components. Based in Hongkong, we have already established firm and mutual-benefit business relationships with customers from,Europe,America and south Asia,supplying obsolete and hard-to-find components to meet their specific needs.

With the principle of “Quality Parts,Customers Priority,Honest Operation,and Considerate Service”,our business mainly focus on the distribution of electronic components. Line cards we deal with include Microchip,ALPS,ROHM,Xilinx,Pulse,ON,Everlight and Freescale. Main products comprise IC,Modules,Potentiometer,IC Socket,Relay,Connector.Our parts cover such applications as commercial,industrial, and automotives areas.

We are looking forward to setting up business relationship with you and hope to provide you with the best service and solution. Let us make a better world for our industry!



## Contact us

Tel: +86-755-8981 8866 Fax: +86-755-8427 6832

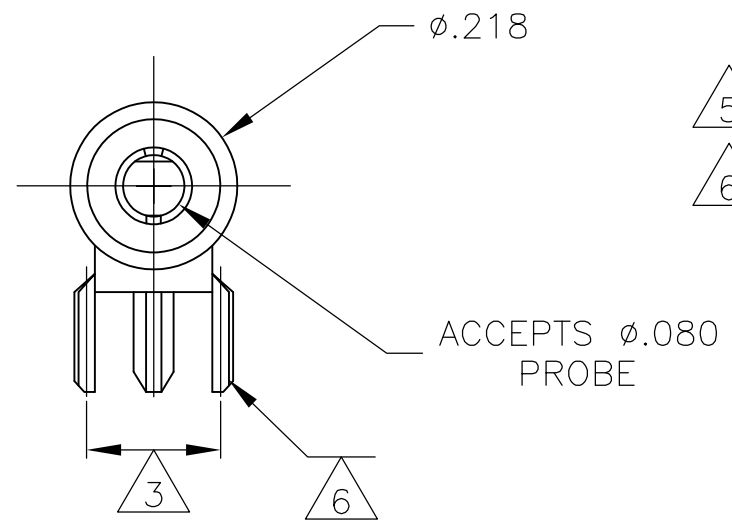
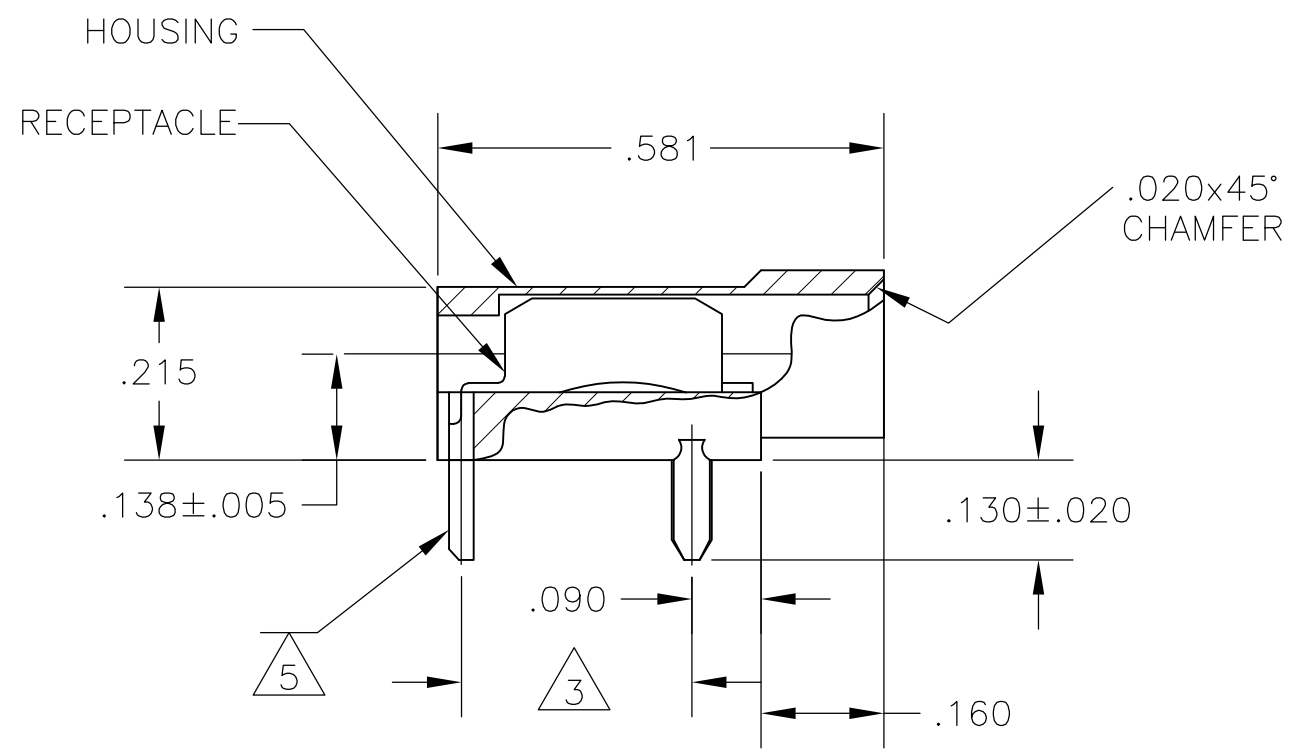
Email & Skype: info@chipsmall.com Web: www.chipsmall.com

Address: A1208, Overseas Decoration Building, #122 Zhenhua RD., Futian, Shenzhen, China

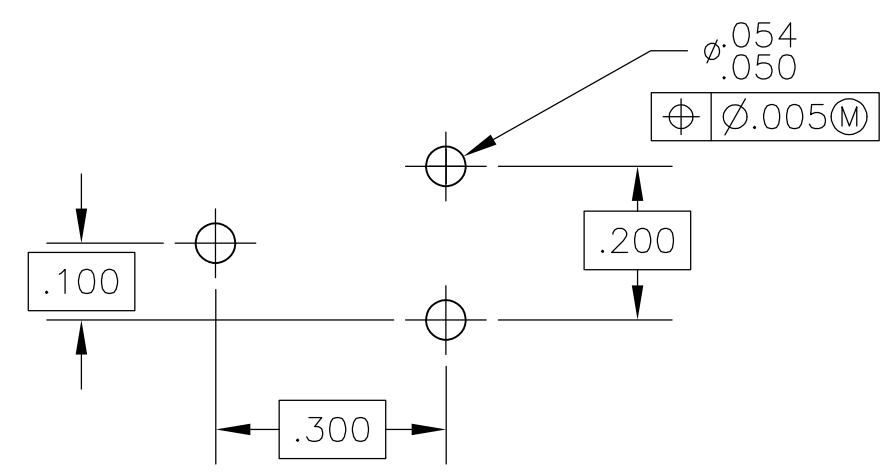


THIS DRAWING IS UNPUBLISHED. RELEASED FOR PUBLICATION  
 © COPYRIGHT - By - ALL RIGHTS RESERVED.

LOC	DIST	REVISIONS					
AF	50	P	LTR	DESCRIPTION	DATE	DWN	APVD
		L2		REVISED PER ECO-11-004587	11MAR11	RK	HMR



- 1 OPERATING TEMPERATURE, 105°C MAX
- 2 RETENTION FORCE-16 OZ MIN INITIALLY, 6 OZ MIN AFTER 500 CYCLES.
- 3 REFER TO MOUNTING HOLE PATTERN.
- 5 SINGLE LEG IS LIVE CIRCUIT
- 6 DOUBLE LEGS FOR MECHANICAL MOUNTING ONLY.



RECOMMENDED MOUNTING HOLE PATTERN

	GOLD	WHITE	350180-9
OBSOLETE	GOLD	GRAY	350180-8
	GOLD	VIOLET	350180-7
	GOLD	BLUE	350180-6
	GOLD	GREEN	350180-5
	GOLD	YELLOW	350180-4
	GOLD	ORANGE	350180-3
	GOLD	RED	350180-2
OBSOLETE	GOLD	BROWN	350180-1
	GOLD	BLACK	350180-0
	RECEPTACLE & LEGS FINISH	HOUSING COLOR	ASSY NO.

THIS DRAWING IS A CONTROLLED DOCUMENT.		DWN RAGHAVENDRA 11JUL2008	<b>STE</b> TE Connectivity	
DIMENSIONS: INCHES		CHK JEFF RUTH 11JUL2008		
TOLERANCES UNLESS OTHERWISE SPECIFIED:		APVD ED HOWARD 11JUL2008	NAME	
0 PLC ± -		PRODUCT SPEC		
1 PLC ± -		APPLICATION SPEC		
2 PLC ± .015		SIZE CAGE CODE DRAWING NO RESTRICTED TO		
3 PLC ± -		A3 00779 C-350180		
4 PLC ± -		SCALE 4:1 SHEET 1 OF 1 REV L2		
ANGLES ± 1° 0'		CUSTOMER DRAWING		
MATERIAL HOUSING, NYLON TYPE 6/6 RECEPTACLE & LEGS, ASTM-B36 ALLOY6		FINISH		