



Chipsmall Limited consists of a professional team with an average of over 10 year of expertise in the distribution of electronic components. Based in Hongkong, we have already established firm and mutual-benefit business relationships with customers from,Europe,America and south Asia,supplying obsolete and hard-to-find components to meet their specific needs.

With the principle of “Quality Parts,Customers Priority,Honest Operation,and Considerate Service”,our business mainly focus on the distribution of electronic components. Line cards we deal with include Microchip,ALPS,ROHM,Xilinx,Pulse,ON,Everlight and Freescale. Main products comprise IC,Modules,Potentiometer,IC Socket,Relay,Connector.Our parts cover such applications as commercial,industrial, and automotives areas.

We are looking forward to setting up business relationship with you and hope to provide you with the best service and solution. Let us make a better world for our industry!



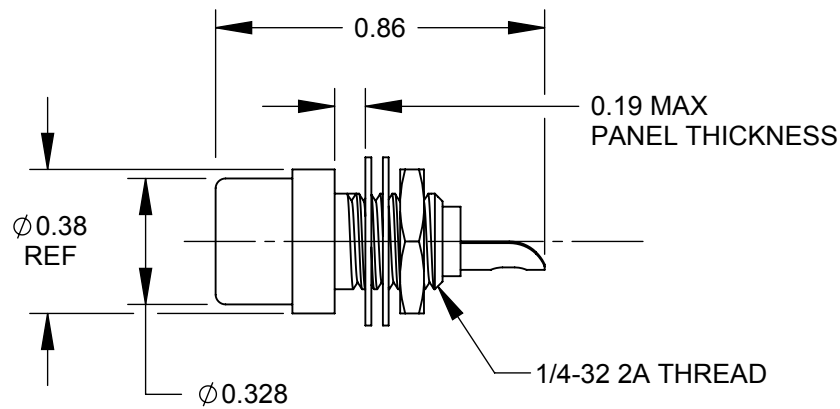
## Contact us

Tel: +86-755-8981 8866 Fax: +86-755-8427 6832

Email & Skype: info@chipsmall.com Web: www.chipsmall.com

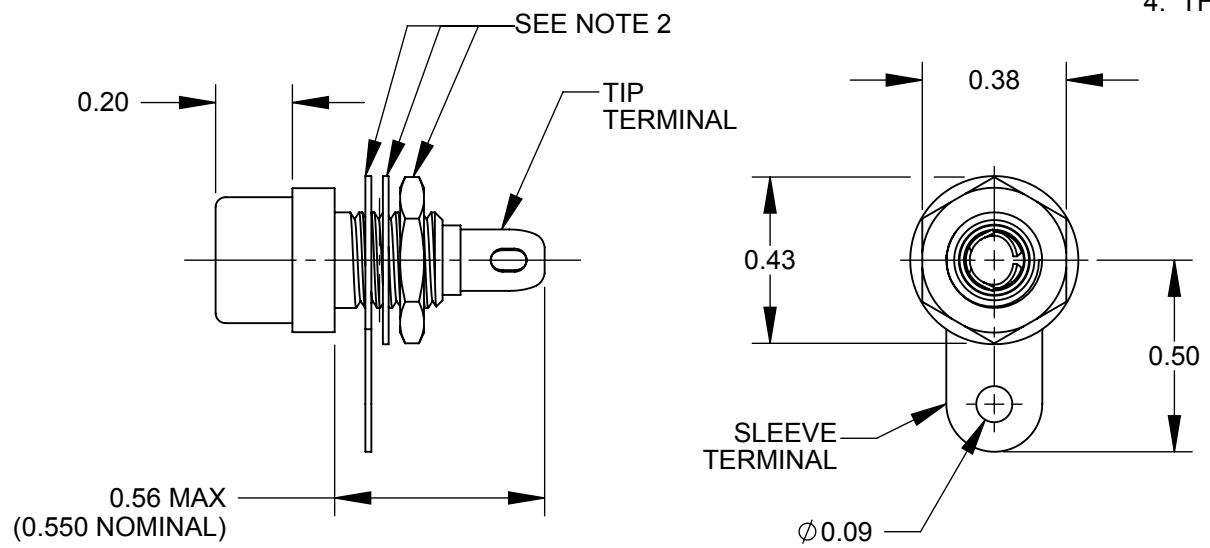
Address: A1208, Overseas Decoration Building, #122 Zhenhua RD., Futian, Shenzhen, China





**NOTES:**

1. MATES WITH STANDARD  $\varnothing$  1/8 PHONO PLUG.
2. SLEEVE TERMINAL, WASHER, AND HEX NUT PACKAGED UNASSEMBLED.
3. MATERIALS  
 HOUSING - COPPER ALLOY, TIN PLATED  
 INSULATORS - THERMOPLASTIC  
 TIP TERMINAL - COPPER ALLOY, MATTE TIN PLATED  
 SOLDER TERMINAL - STEEL, NICKEL PLATED  
 WASHER - STEEL, NICKEL PLATED  
 HEX NUT - COPPER ALLOY, NICKEL PLATED
4. THIS PRODUCT IS RoHS COMPLIANT.



**CUSTOMER DRAWING**

					THIS DRAWING DESCRIBES A DESIGN CONSIDERED PROPRIETARY IN NATURE, DEVELOPED AND MANUFACTURED BY SWITCHCRAFT INC. AND IS RELEASED ON A CONFIDENTIAL BASIS FOR IDENTIFICATION PURPOSES ONLY.					
					SIZE	WIDTH	MULT	LBS/M	TEMPER	
					FINISH			MATERIAL		
					SPEC No.			SPEC No.		
					FIRST USED ON		SCALE 4:1			
B	25504	12/8/06	RS	TJK	DATE DRAWN	BY	CHKD	APVD	<b>Switchcraft®</b>	
A	26172	10/20/06	RS	TJK	12/16/08	RS	RS	TJK		
REV	ECO NUMBER	DATE	BY	APVD	NAME			PART No.		
REVISIONS					DO NOT SCALE DRAWING					SHEET 1 OF 1
					PHONO JAX FRONT PANEL MOUNT, RoHS					3501FPX
										REV B