



Chipsmall Limited consists of a professional team with an average of over 10 year of expertise in the distribution of electronic components. Based in Hongkong, we have already established firm and mutual-benefit business relationships with customers from,Europe,America and south Asia,supplying obsolete and hard-to-find components to meet their specific needs.

With the principle of “Quality Parts,Customers Priority,Honest Operation,and Considerate Service”,our business mainly focus on the distribution of electronic components. Line cards we deal with include Microchip,ALPS,ROHM,Xilinx,Pulse,ON,Everlight and Freescale. Main products comprise IC,Modules,Potentiometer,IC Socket,Relay,Connector.Our parts cover such applications as commercial,industrial, and automotives areas.

We are looking forward to setting up business relationship with you and hope to provide you with the best service and solution. Let us make a better world for our industry!



## Contact us

Tel: +86-755-8981 8866 Fax: +86-755-8427 6832

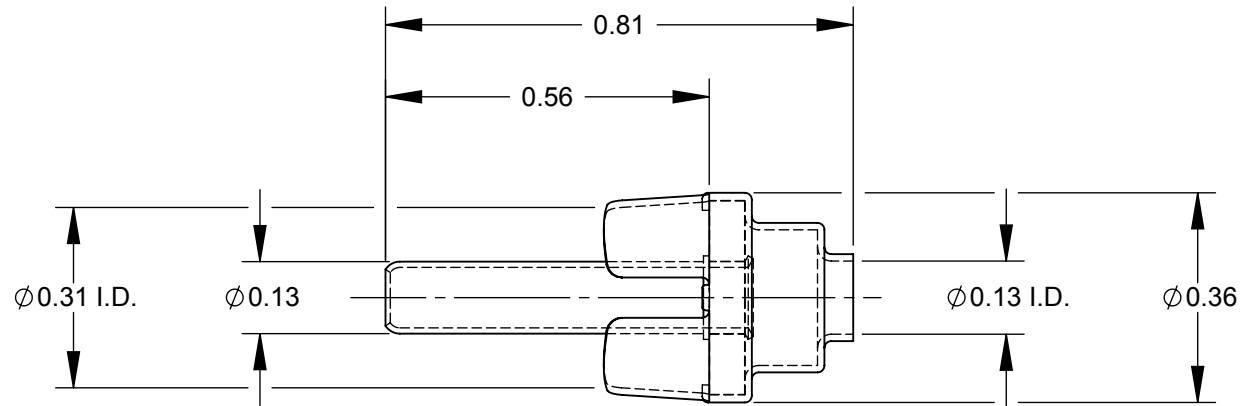
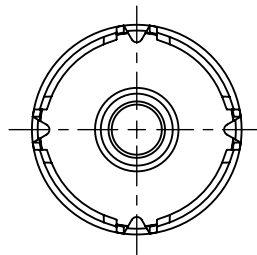
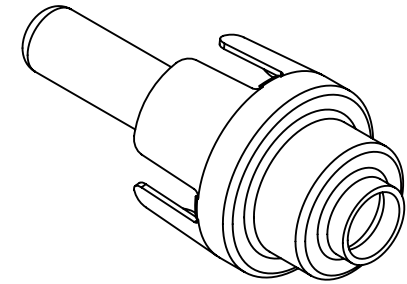
Email & Skype: info@chipsmall.com Web: www.chipsmall.com

Address: A1208, Overseas Decoration Building, #122 Zhenhua RD., Futian, Shenzhen, China



NOTES:

1. MATERIALS:  
 PIN - BRASS, NICKEL PLATED  
 INSULATION WAFER, XXXP  
 SLEEVE - BRASS, NICKEL PLATED
2. THIS PRODUCT IS RoHS COMPLIANT.



**CUSTOMER DRAWING**

					THIS DRAWING DESCRIBES A DESIGN CONSIDERED PROPRIETARY IN NATURE, DEVELOPED AND MANUFACTURED BY SWITCHCRAFT INC. AND IS RELEASED ON A CONFIDENTIAL BASIS FOR IDENTIFICATION PURPOSES ONLY.				
					SIZE	WIDTH	MULT	LBS/M	TEMPER
UNLESS OTHERWISE SPECIFIED					FINISH			MATERIAL	
1. ALL DIMENSIONS IN INCHES					SEE NOTES			SEE NOTES	
- TWO PLACE DECIMALS ±0.02					SPEC No.			SPEC No.	
- THREE PLACE DECIMALS ±0.005					FIRST USED ON		SCALE		
							3:1		
A	25259	8-17-06	RF	TJK	DATE DRAWN	BY	CHKD	APVD	<b>Switchcraft®</b>
REV	ECO NUMBER	DATE	BY	APVD	8-17-06	RF	RF	TJK	
REVISIONS					NAME			PART No.	
DO NOT SCALE DRAWING					PHONO PLUG			3501MX	
					TWO CONDUCTOR, RoHS			REV	
								A	

