



Chipsmall Limited consists of a professional team with an average of over 10 year of expertise in the distribution of electronic components. Based in Hongkong, we have already established firm and mutual-benefit business relationships with customers from,Europe,America and south Asia,supplying obsolete and hard-to-find components to meet their specific needs.

With the principle of “Quality Parts,Customers Priority,Honest Operation,and Considerate Service”,our business mainly focus on the distribution of electronic components. Line cards we deal with include Microchip,ALPS,ROHM,Xilinx,Pulse,ON,Everlight and Freescale. Main products comprise IC,Modules,Potentiometer,IC Socket,Relay,Connector.Our parts cover such applications as commercial,industrial, and automotives areas.

We are looking forward to setting up business relationship with you and hope to provide you with the best service and solution. Let us make a better world for our industry!



Contact us

Tel: +86-755-8981 8866 Fax: +86-755-8427 6832

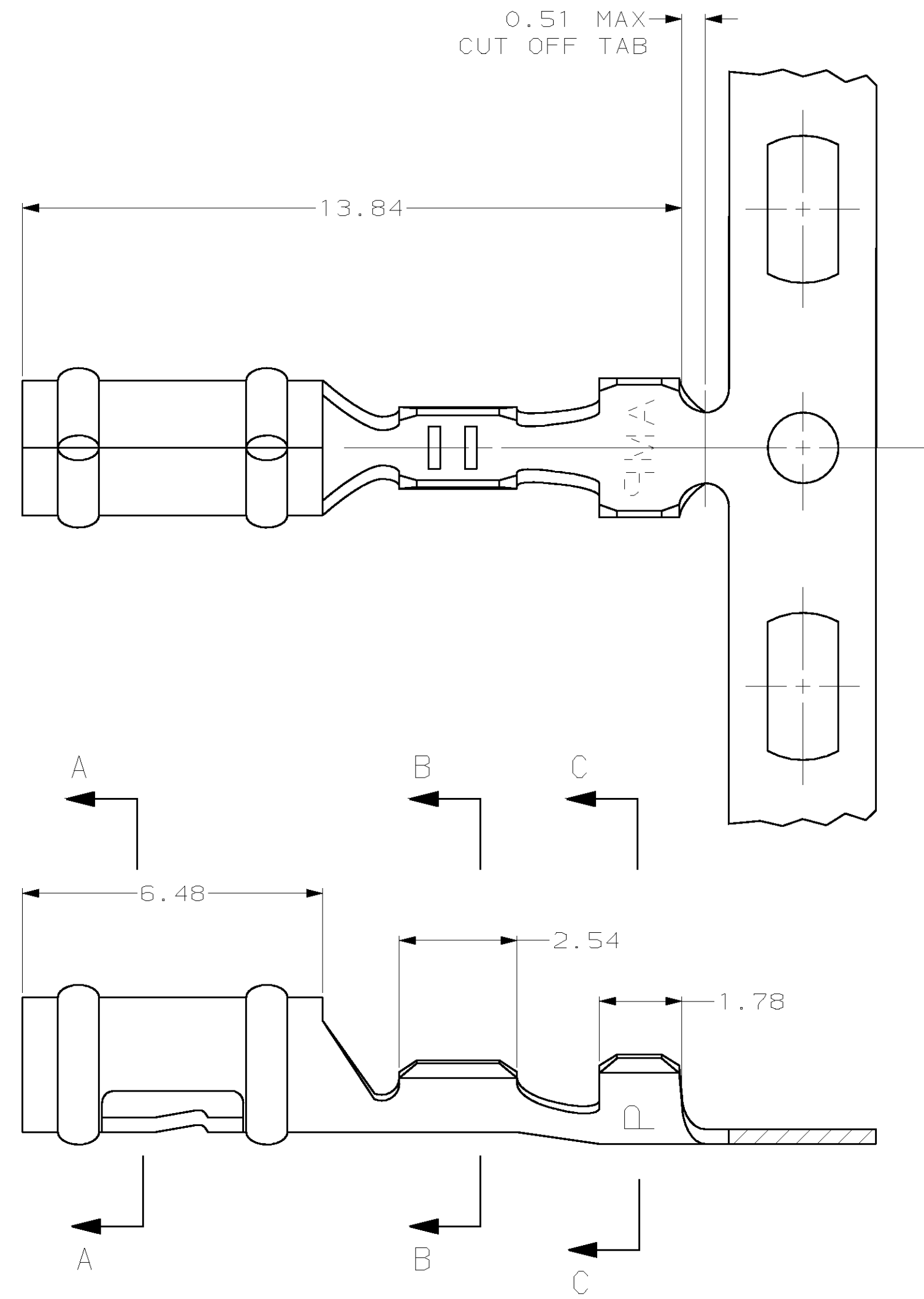
Email & Skype: info@chipsmall.com Web: www.chipsmall.com

Address: A1208, Overseas Decoration Building, #122 Zhenhua RD., Futian, Shenzhen, China

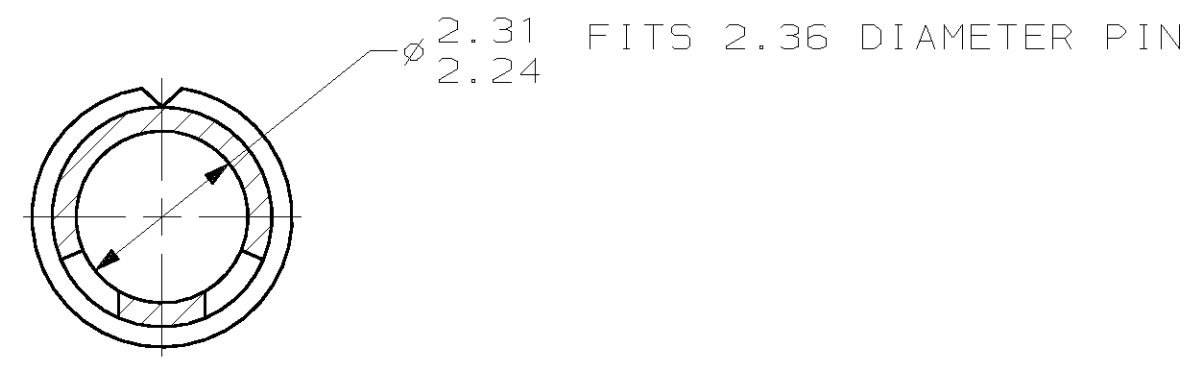


THIS DRAWING IS UNPUBLISHED. RELEASED FOR PUBLICATION .19
 (C) COPYRIGHT 19 BY AMP INCORPORATED. ALL RIGHTS RESERVED.

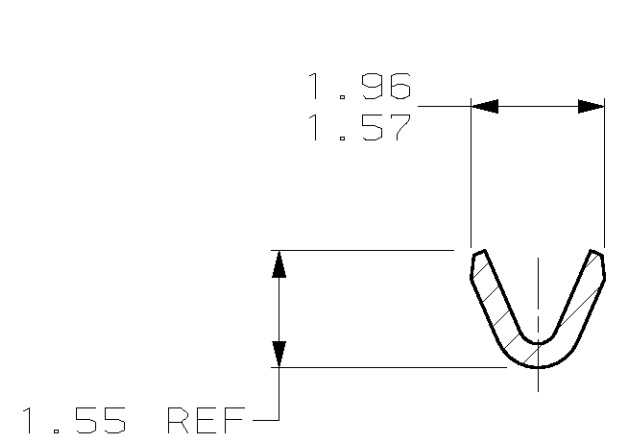
LOC		DIST		REVISIONS			
P	LTR	DESCRIPTION	DATE	DWN	APVD		
CM	52	F	REVISD PER EC 0G1B-0065-99	17-JUN-99	KW	JE	



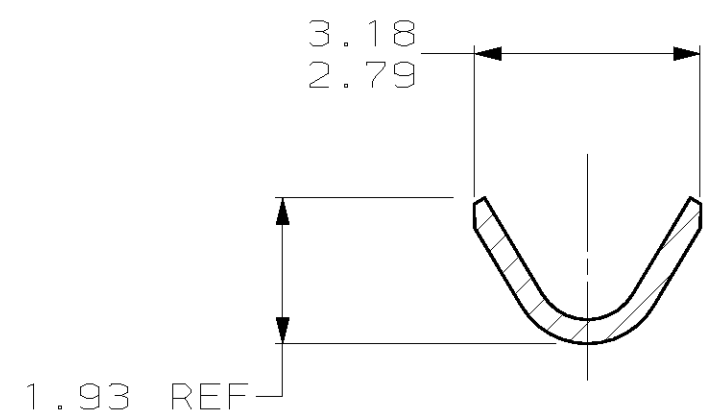
1. WIRE RANGE: 0.08 - 0.15 MM² (28 - 26 AWG)
2. INSULATION RANGE: 0.81 - 1.45



SECTION A-A



SECTION B-B

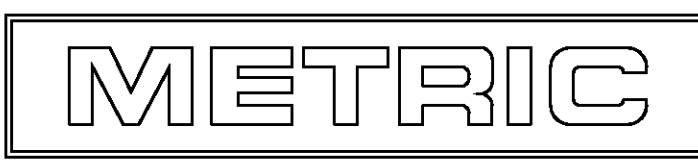


SECTION C-C

MINI APPLICATOR	350221-1 PART NUMBER
-----------------	----------------------

MM	IN	MM	IN	MM	IN	MM	IN
1.45	.057	1.96	.077	2.79	.110	-	-
0.81	.032	1.93	.076	2.54	.100	-	-
0.51	.020	1.78	.070	2.36	.093	13.84	.545
0.32	.013	1.57	.062	2.31	.091	6.48	.255
0.13	.005	1.55	.061	2.24	.088	3.18	.125
MM	IN	MM	IN	MM	IN	MM	IN

CONVERSION TABLE



THIS DRAWING IS A CONTROLLED DOCUMENT.		DWN	T. BECK	6-16-97	AMP Incorporated Harrisburg, PA 17105-3608		
DIMENSIONS: mm		CHK	R. SWING	6-16-97			
TOLERANCES UNLESS OTHERWISE SPECIFIED:		APVD	A. BEDDICK	8-22-97			
0 PLC ±- 1 PLC ±- 2 PLC ±0.13 3 PLC ±- 4 PLC ANGLES ±-		PRODUCT SPEC	108-1025				
MATERIAL		APPLICATION SPEC	114-1008		NAME	RECEPTACLE, .093 DIAMETER, 28-26 AWG, .032-.057 INSULATION, P.C. CONTACT	
0.32 PH BRZ		FINISH	PRE TIN		SIZE	A2	
CUSTOMER DRAWING		WEIGHT	-		CAGE CODE	00779	
SCALE		10:1		SHEET	1 OF 1	REV	F

350221