



Chipsmall Limited consists of a professional team with an average of over 10 year of expertise in the distribution of electronic components. Based in Hongkong, we have already established firm and mutual-benefit business relationships with customers from,Europe,America and south Asia,supplying obsolete and hard-to-find components to meet their specific needs.

With the principle of “Quality Parts,Customers Priority,Honest Operation,and Considerate Service”,our business mainly focus on the distribution of electronic components. Line cards we deal with include Microchip,ALPS,ROHM,Xilinx,Pulse,ON,Everlight and Freescale. Main products comprise IC,Modules,Potentiometer,IC Socket,Relay,Connector.Our parts cover such applications as commercial,industrial, and automotives areas.

We are looking forward to setting up business relationship with you and hope to provide you with the best service and solution. Let us make a better world for our industry!



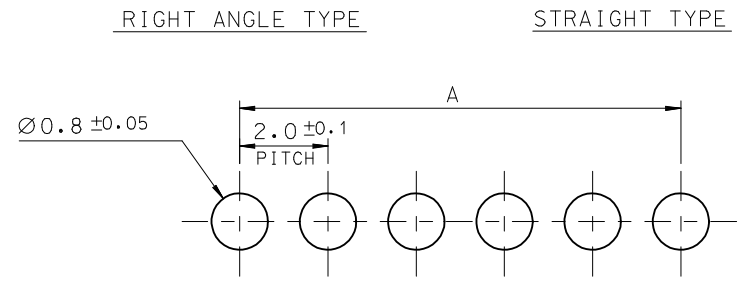
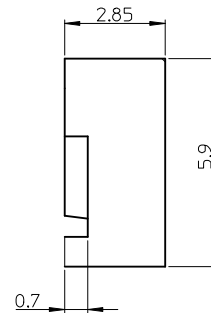
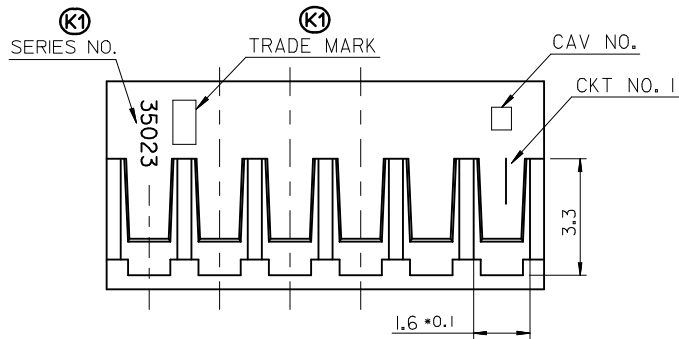
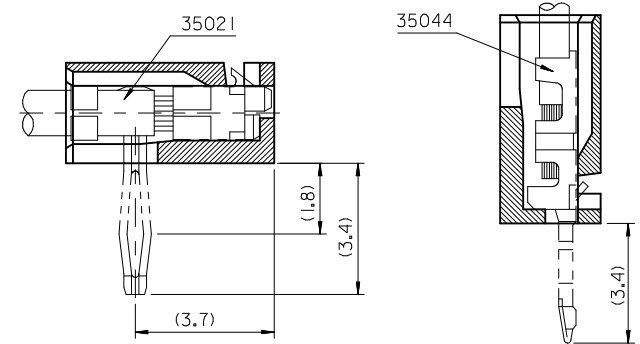
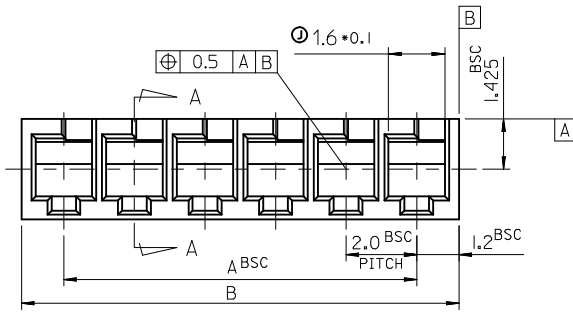
Contact us

Tel: +86-755-8981 8866 Fax: +86-755-8427 6832

Email & Skype: info@chipsmall.com Web: www.chipsmall.com

Address: A1208, Overseas Decoration Building, #122 Zhenhua RD., Futian, Shenzhen, China





(K1)* LEGEND

35023 - 00**

CKT NO.(02,03,04...)

B	A	ENG NO.	CKT NO.	B	A	ENG NO.	CKT NO.
32.4	30.0	35023- 00**	16	18.4	16.0	- 00**	9
30.4	28.0	- 00**	15	16.4	14.0	- 00**	8
28.4	26.0	- 00**	14	14.4	12.0	- 00**	7
26.4	24.0	- 00**	13	12.4	10.0	- 00**	6
24.4	22.0	- 00**	12	10.4	8.0	- 00**	5
22.4	20.0	- 00**	11	8.4	6.0	- 00**	4
20.4	18.0	- 00**	10	6.4	4.0	- 00**	3
B	A	ENG NO.	CKT NO.	B	A	ENG NO.	CKT NO.

NOTE

1. MATERIAL : POLYAMIDE 66(PA66), UNFILLED, UL94V-0; COLOR: IVORY
2. PRODUCT SPECIFICATION : PS-35023-001
3. PACKAGING SPECIFICATION : PK-35023-001
4. APPLICABLE TERMINAL :

R/A: 35021-1201/1301/1310/1360
 ST.: 35044-9101/9102/9110/9210
 35044-9160/9260

REVISED EC NO: KOR2013-0030 DRWN:SKCHO 2012/09/04 CHKD: APPR:YSKIM02 2012/09/17 K1	QUALITY SYMBOLS 	GENERAL TOLERANCES (UNLESS SPECIFIED) <table border="1"> <thead> <tr> <th></th> <th>mm</th> <th>INCH</th> </tr> </thead> <tbody> <tr> <td>4 PLACES</td> <td>± ---</td> <td>± ---</td> </tr> <tr> <td>3 PLACES</td> <td>± ---</td> <td>± ---</td> </tr> <tr> <td>2 PLACES</td> <td>± 0.2</td> <td>± ---</td> </tr> <tr> <td>1 PLACE</td> <td>± 0.3</td> <td>± ---</td> </tr> <tr> <td>0 PLACE</td> <td>±</td> <td>±</td> </tr> </tbody> </table>		mm	INCH	4 PLACES	± ---	± ---	3 PLACES	± ---	± ---	2 PLACES	± 0.2	± ---	1 PLACE	± 0.3	± ---	0 PLACE	±	±	DIMENSION STYLE MM ONLY DRAWN BY: HS.SHIN DATE: 1993/10/26 CHECKED BY: JK.OH DATE: 1993/10/26 APPROVED BY: CW.LEE DATE: 1993/10/26 MATERIAL NO.	SCALE 1/1 DESIGN UNITS METRIC 	TITLE 2.0 PITCH B-IN CONN. HOUSING(S/T) DOCUMENT NO. SD-35023-001 SHEET NO. 1 OF 1
		mm	INCH																				
	4 PLACES	± ---	± ---																				
	3 PLACES	± ---	± ---																				
2 PLACES	± 0.2	± ---																					
1 PLACE	± 0.3	± ---																					
0 PLACE	±	±																					
DRAFT WHERE APPLICABLE MUST REMAIN WITHIN DIMENSIONS		SIZE A3	THIS DRAWING CONTAINS INFORMATION THAT IS PROPRIETARY TO MOLEX INCORPORATED AND SHOULD NOT BE USED WITHOUT WRITTEN PERMISSION																				