



Chipsmall Limited consists of a professional team with an average of over 10 year of expertise in the distribution of electronic components. Based in Hongkong, we have already established firm and mutual-benefit business relationships with customers from,Europe,America and south Asia,supplying obsolete and hard-to-find components to meet their specific needs.

With the principle of “Quality Parts,Customers Priority,Honest Operation,and Considerate Service”,our business mainly focus on the distribution of electronic components. Line cards we deal with include Microchip,ALPS,ROHM,Xilinx,Pulse,ON,Everlight and Freescale. Main products comprise IC,Modules,Potentiometer,IC Socket,Relay,Connector.Our parts cover such applications as commercial,industrial, and automotives areas.

We are looking forward to setting up business relationship with you and hope to provide you with the best service and solution. Let us make a better world for our industry!



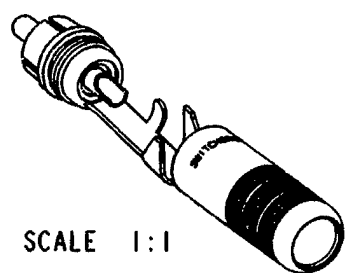
Contact us

Tel: +86-755-8981 8866 Fax: +86-755-8427 6832

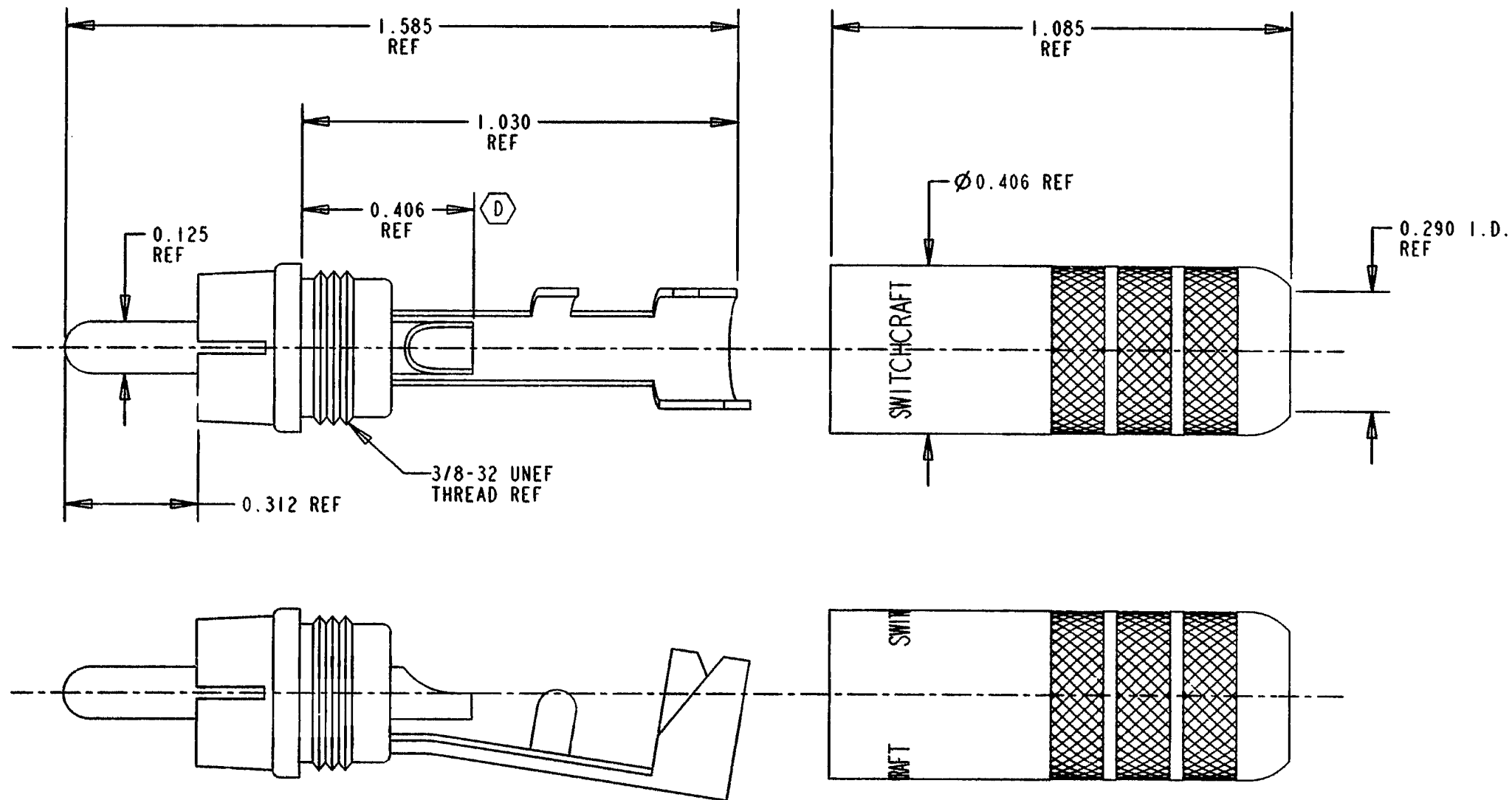
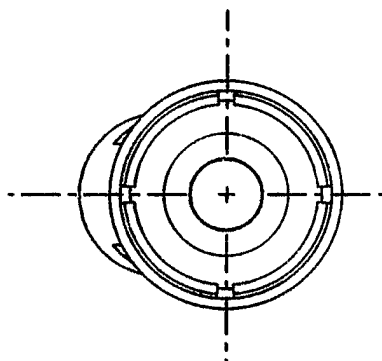
Email & Skype: info@chipsmall.com Web: www.chipsmall.com

Address: A1208, Overseas Decoration Building, #122 Zhenhua RD., Futian, Shenzhen, China





SCALE 1:1



MATERIALS:

WASHER: G10 EPOXY-GLASS LAMINATE

CENTER PIN: BRASS, SEE TABLE

PLUG HOUSING: BRASS, SEE TABLE

CLAMP TERMINAL: CRS, ELECTRO-TINNED

HANDLE: BRASS, SEE TABLE

CUSTOMER DRAWING

(F)

PART NUMBER	PART REV.	CENTER PIN AND PLUG HOUSING	HANDLE
3502A	E	NICKEL PLATED	NICKEL PLATED
3502AAU	C	GOLD PLATED	
3502AB	A	NICKEL PLATED	BLACK EPOXY PAINT
3502ABAU	D	GOLD PLATED	
3502AR	A	NICKEL PLATED	RED EPOXY PAINT
3502ARAU	A	GOLD PLATED	

REV	ECO NUMBER	DATE	BY	APVD
F	ECO #22304	4-23-98	MM	EB
E	UP REVISION ONLY ECO #19952	7-12-95	ES	TJK
D	ECO #19796	4-11-95	SG	GHJ
C	ECO #19684	4-11-95	SG	GHJ
B	ECO #18851	3-24-94	SG	TO
A	REL. TO PROD.	1-4-94	LR	TO

REVISIONS

★ STAR SYMBOL DEMOTES CRITICAL DIMENSION

UNLESS OTHERWISE SPECIFIED

- ALL DIMENSIONS IN INCHES
- TWO PLACE DECIMALS ±0.01
- THREE PLACE DECIMALS ±0.005
- ANGLES ±1°
- ALL DIA. CONCENTRIC WITHIN 0.005 T.I.R.
- FEATURES ON THE SAME CENTERLINE MUST BE ALIGNED WITHIN ±0.002
- REMOVE ALL BURRS

DO NOT SCALE DRAWING

THIS DRAWING DESCRIBES A DESIGN CONSIDERED PROPRIETARY IN NATURE, DEVELOPED AND MANUFACTURED BY SWITCHCRAFT INC. AND IS RELEASED ON A CONFIDENTIAL BASIS FOR IDENTIFICATION PURPOSES ONLY.

SIZE	WIDTH	MULT	LBS/M	TEMPER
FINISH		MATERIAL		
SPEC No.		SPEC No.		
FIRST USED ON		SCALE		
DATE DRAWN	BY	CHKD	APVD	Switchcraft®
11-NOV-93	LR	LR 1-4-94	TO 1-4-94	
NAME		PART No.		REV
PLUG ASSEMBLY 3502A		3502A SERIES		F

(B)