



Chipsmall Limited consists of a professional team with an average of over 10 year of expertise in the distribution of electronic components. Based in Hongkong, we have already established firm and mutual-benefit business relationships with customers from,Europe,America and south Asia,supplying obsolete and hard-to-find components to meet their specific needs.

With the principle of “Quality Parts,Customers Priority,Honest Operation,and Considerate Service”,our business mainly focus on the distribution of electronic components. Line cards we deal with include Microchip,ALPS,ROHM,Xilinx,Pulse,ON,Everlight and Freescale. Main products comprise IC,Modules,Potentiometer,IC Socket,Relay,Connector.Our parts cover such applications as commercial,industrial, and automotives areas.

We are looking forward to setting up business relationship with you and hope to provide you with the best service and solution. Let us make a better world for our industry!



## Contact us

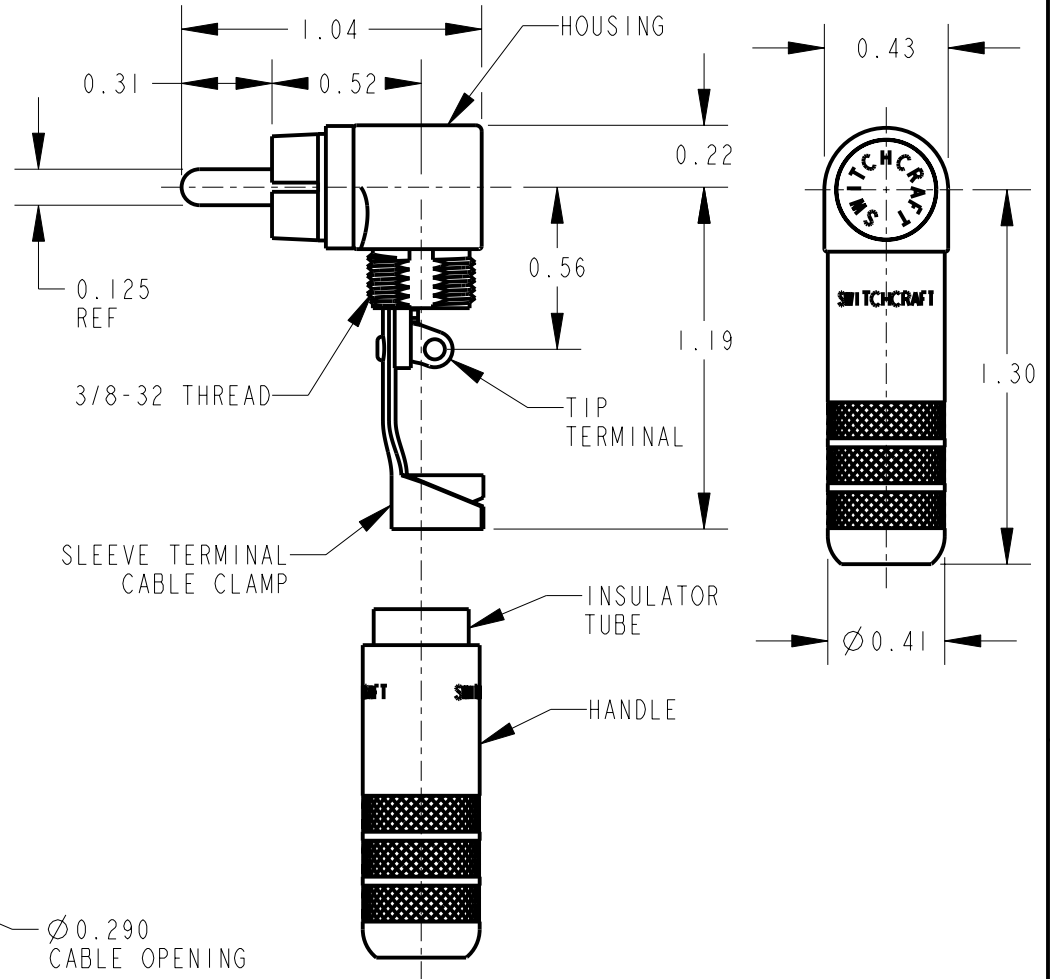
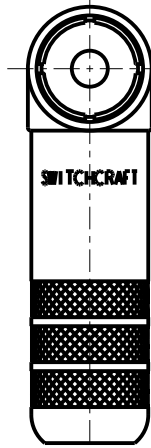
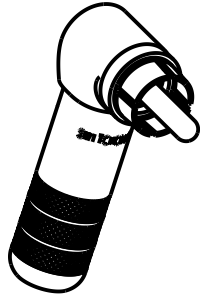
Tel: +86-755-8981 8866 Fax: +86-755-8427 6832

Email & Skype: info@chipsmall.com Web: www.chipsmall.com

Address: A1208, Overseas Decoration Building, #122 Zhenhua RD., Futian, Shenzhen, China



PART NUMBER	PHONO PLUG FINISH	HANDLE & HOUSING FINISH
3502RA	NICKEL PLATED	NICKEL PLATED
3502RAAU	GOLD PLATED	NICKEL PLATED
3502RABAU	GOLD PLATED	BLACK CHROME



NOTES:  
1. HANDLE AND INSULATOR SHIPPED UNASSEMBLED.

2. MATERIALS:  
HOUSING - ZINC ALLOY, SEE TABLE FOR FINISH  
PHONO PLUG - BRASS, SEE TABLE FOR FINISH  
PHONO PLUG INSULATOR - PHENOLIC  
SLEEVE TERMINAL - CRS, TIN PLATED  
TIP TERMINAL - BRASS, TIN PLATED  
TERMINAL INSULATOR - THERMOPLASTIC, BLACK  
HOUSING END CAP - BRASS, NICKEL PLATED  
GOLD PLATED ON P/N 3502RABAU  
INSULATOR TUBE - MYLAR  
HANDLE - BRASS, SEE TABLE FOR FINISH

3. THIS PRODUCT IS RoHS COMPLIANT.

CUSTOMER DRAWING

					★ STAR SYMBOL DENOTES CRITICAL DIMENSION	THIS DRAWING DESCRIBES A DESIGN CONSIDERED PROPRIETARY IN NATURE, DEVELOPED AND MANUFACTURED BY SWITCHCRAFT INC. AND IS RELEASED ON A CONFIDENTIAL BASIS FOR IDENTIFICATION PURPOSES ONLY.					
					UNLESS OTHERWISE SPECIFIED	SIZE	WIDTH	MULT	LBS/M	TEMPER	
					1. ALL DIMENSIONS IN INCHES - TWO PLACE DECIMALS ±0.01 - THREE PLACE DECIMALS ±0.005 - ANGLES ±1° - ALL DIA. CONCENTRIC WITHIN 0.005 T.I.R.	FINISH		MATERIAL			
					2. FEATURES ON THE SAME CENTERLINE MUST BE ALIGNED WITHIN ±0.002	SPEC No.		SPEC No.			
					3. REMOVE ALL BURRS	FIRST USED ON		SCALE 3:2		<b>Switchcraft®</b>	
B	24344	11-24-09	TJK	TJK	DATE DRAWN	BY	CHKD	APVD			
REV	ECO NUMBER	DATE	BY	APVD		24-Nov-09	TJK	TJK	TJK	SHEET   OF	
REVISIONS					DO NOT SCALE DRAWING	NAME		PART No.		REV	
						RIGHT ANGLE PHONO PLUG, RoHS		3502RA SERIES		B	