



Chipsmall Limited consists of a professional team with an average of over 10 year of expertise in the distribution of electronic components. Based in Hongkong, we have already established firm and mutual-benefit business relationships with customers from,Europe,America and south Asia,supplying obsolete and hard-to-find components to meet their specific needs.

With the principle of "Quality Parts,Customers Priority,Honest Operation,and Considerate Service",our business mainly focus on the distribution of electronic components. Line cards we deal with include Microchip,ALPS,ROHM,Xilinx,Pulse,ON,Everlight and Freescale. Main products comprise IC,Modules,Potentiometer,IC Socket,Relay,Connector.Our parts cover such applications as commercial,industrial, and automotives areas.

We are looking forward to setting up business relationship with you and hope to provide you with the best service and solution. Let us make a better world for our industry!



Contact us

Tel: +86-755-8981 8866 Fax: +86-755-8427 6832

Email & Skype: info@chipsmall.com Web: www.chipsmall.com

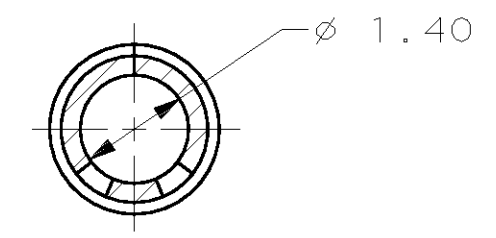
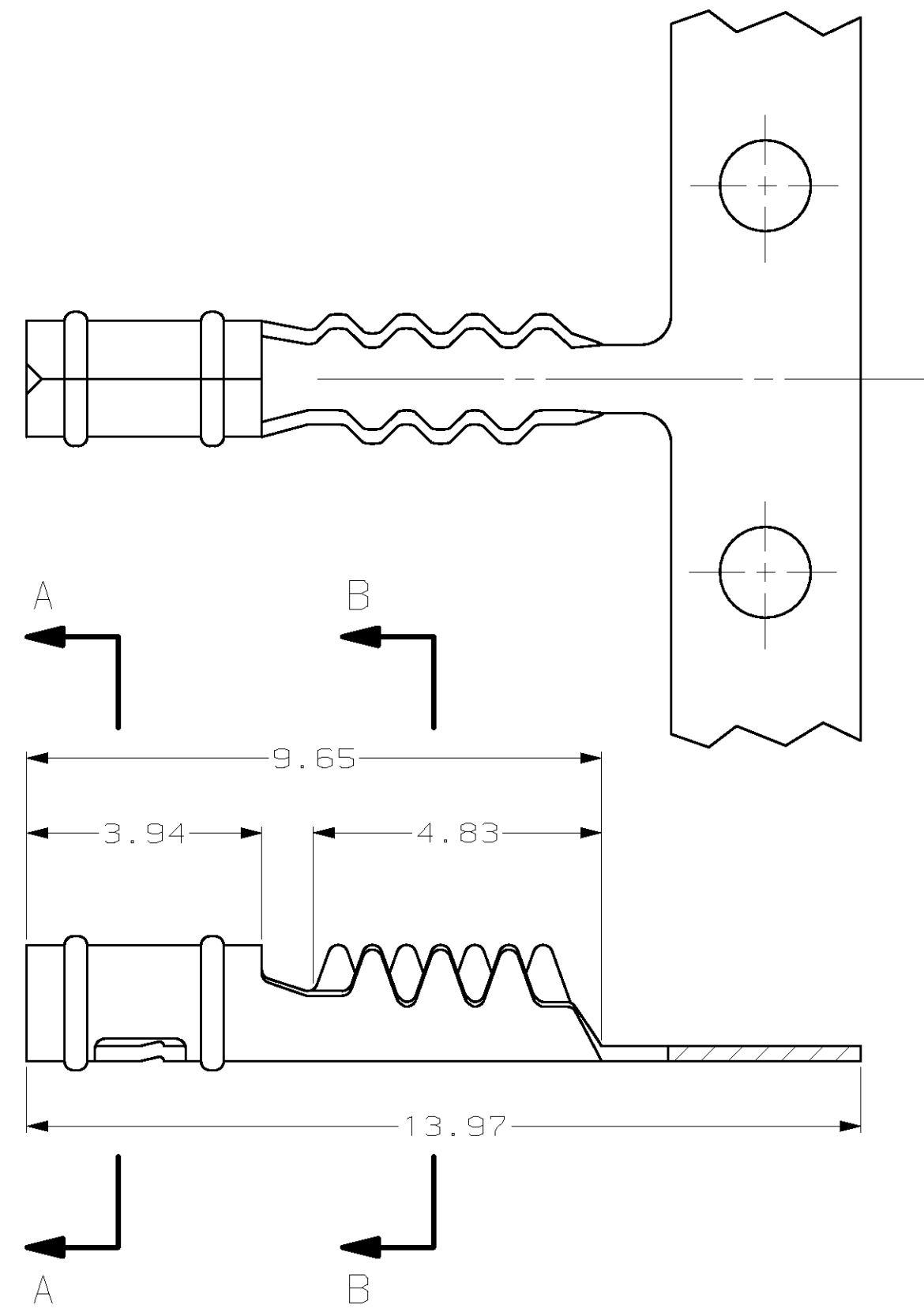
Address: A1208, Overseas Decoration Building, #122 Zhenhua RD., Futian, Shenzhen, China



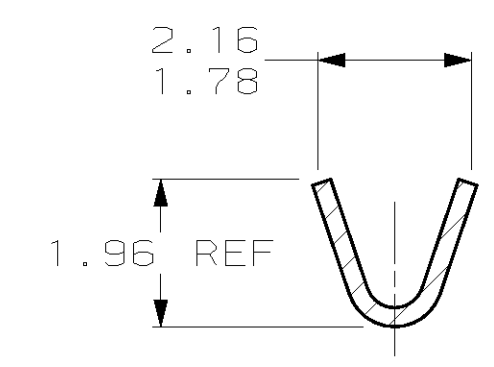
THIS DRAWING IS UNPUBLISHED. RELEASED FOR PUBLICATION .19
 (C) COPYRIGHT 19 BY AMP INCORPORATED. ALL RIGHTS RESERVED.

LOC	DIST	REVISIONS			
P	LTR	DESCRIPTION	DATE	DWN	APVD
CM	52	B	REV & REDWN PER EC 0L30-0125-97	6-9-97	TB RS

1. WIRE RANGE: TINSEL WIRE
2. INSULATION RANGE: 0.76 - 1.02



SECTION A-A



SECTION B-B

350393-1
PART NUMBER

MM	IN	MM	IN	MM	IN	MM	IN
1.02	.040	1.96	.077	9.65	.380	-	-
0.76	.030	1.78	.070	4.83	.190	-	-
0.25	.010	1.47	.058	3.94	.155	-	-
0.13	.005	1.40	.055	2.16	.085	13.97	.550

CONVERSION TABLE

METRIC

THIS DRAWING IS A CONTROLLED DOCUMENT.		DWN	T. BECK	6-09-97
DIMENSIONS:		CHK	R. SWING	6-09-97
mm		APVD	A. BEDDICK	6-17-97
TOLERANCES UNLESS OTHERWISE SPECIFIED:		PRODUCT SPEC	108-1025	
0 PLC ±-		APPLICATION SPEC	114-1008	
1 PLC ±-		WEIGHT	-	
2 PLC ±0.13		SCALE	10:1	
3 PLC ±-		SHEET	1 OF 1	
4 PLC ±-		REV	B	
ANGLES ±-		CUSTOMER DRAWING		
MATERIAL	0.25 PH BRZ	FINISH	PRE TIN	

AMP Incorporated Harrisburg, PA 17105-3608	
NAME	RECEPTACLE, .058 DIAMETER, INSULATION PIERCING, P.C. CONTACT
SIZE	A2
CAGE CODE	00779
DRAWING NO	C-350393
RESTRICTED TO	-

350393