



Chipsmall Limited consists of a professional team with an average of over 10 year of expertise in the distribution of electronic components. Based in Hongkong, we have already established firm and mutual-benefit business relationships with customers from,Europe,America and south Asia,supplying obsolete and hard-to-find components to meet their specific needs.

With the principle of “Quality Parts,Customers Priority,Honest Operation,and Considerate Service”,our business mainly focus on the distribution of electronic components. Line cards we deal with include Microchip,ALPS,ROHM,Xilinx,Pulse,ON,Everlight and Freescale. Main products comprise IC,Modules,Potentiometer,IC Socket,Relay,Connector.Our parts cover such applications as commercial,industrial, and automotives areas.

We are looking forward to setting up business relationship with you and hope to provide you with the best service and solution. Let us make a better world for our industry!



## Contact us

Tel: +86-755-8981 8866 Fax: +86-755-8427 6832

Email & Skype: info@chipsmall.com Web: www.chipsmall.com

Address: A1208, Overseas Decoration Building, #122 Zhenhua RD., Futian, Shenzhen, China





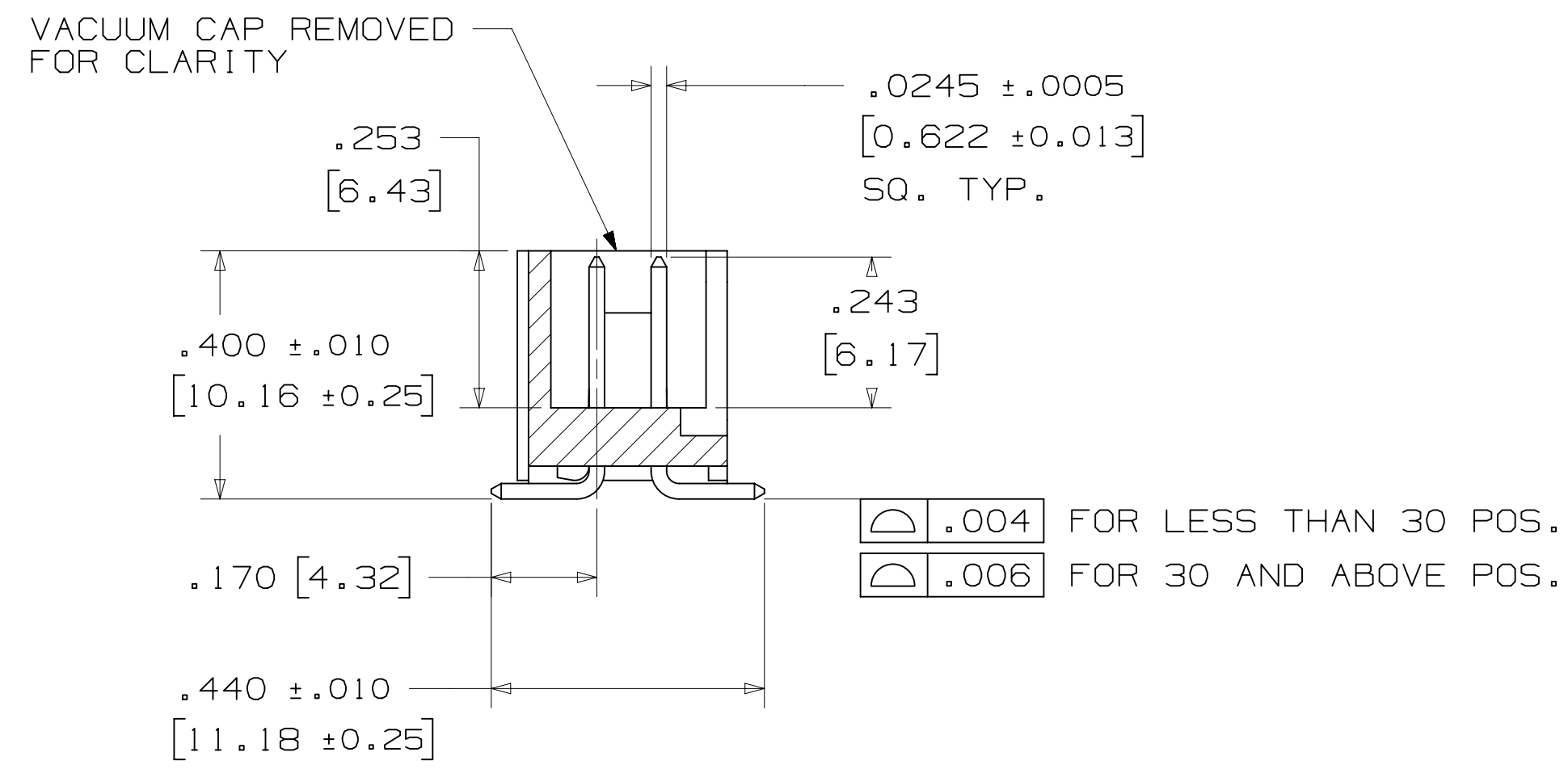






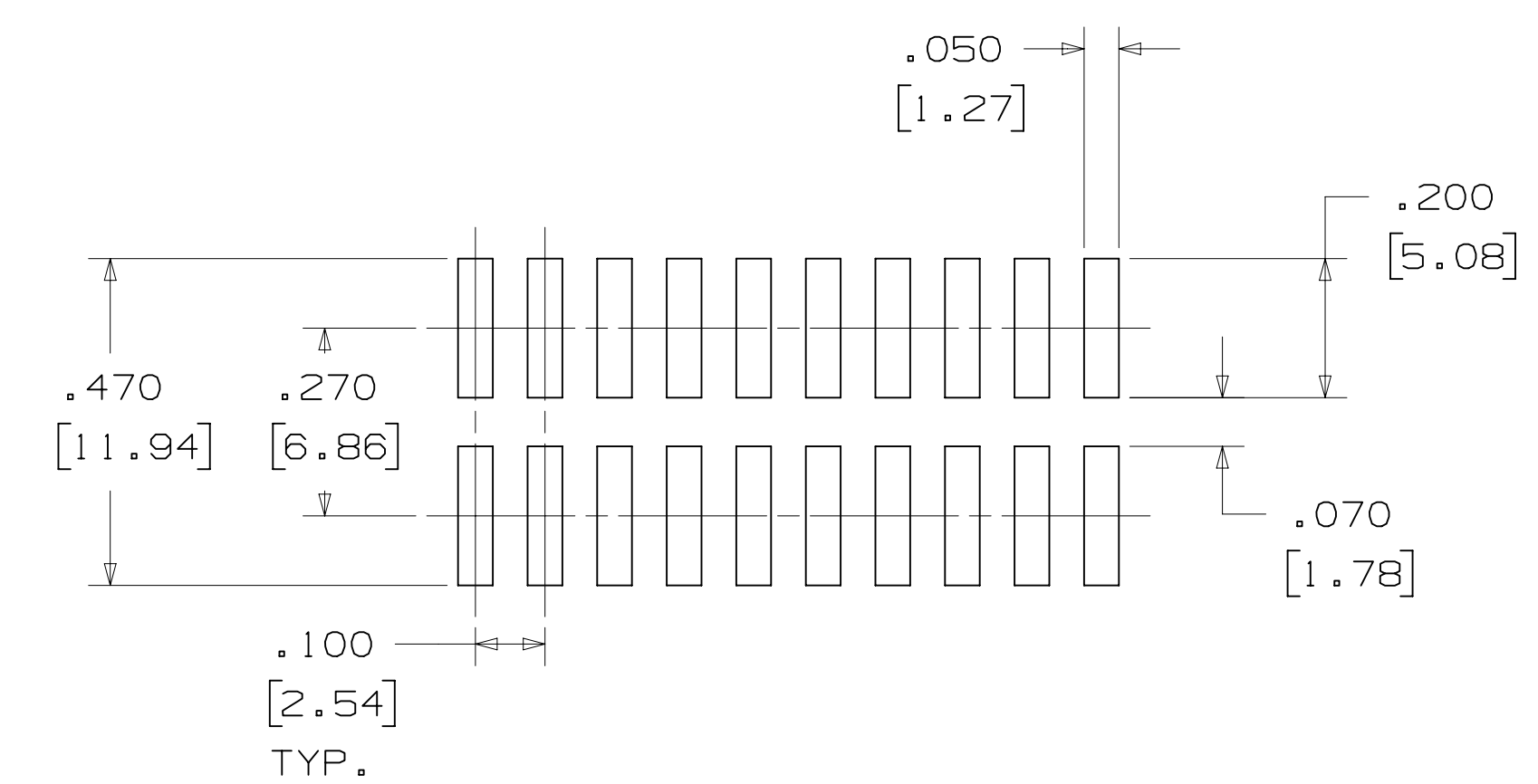
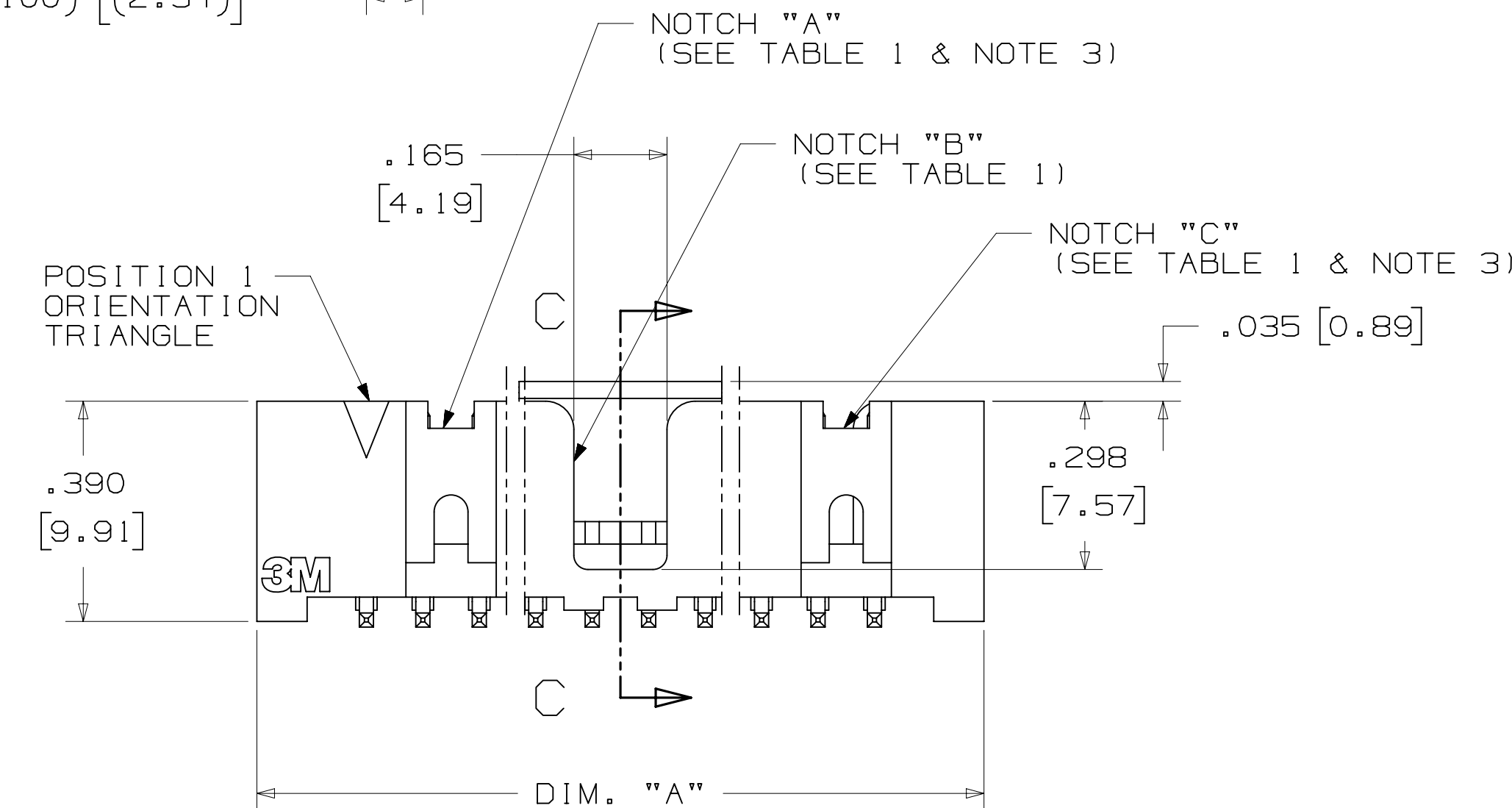
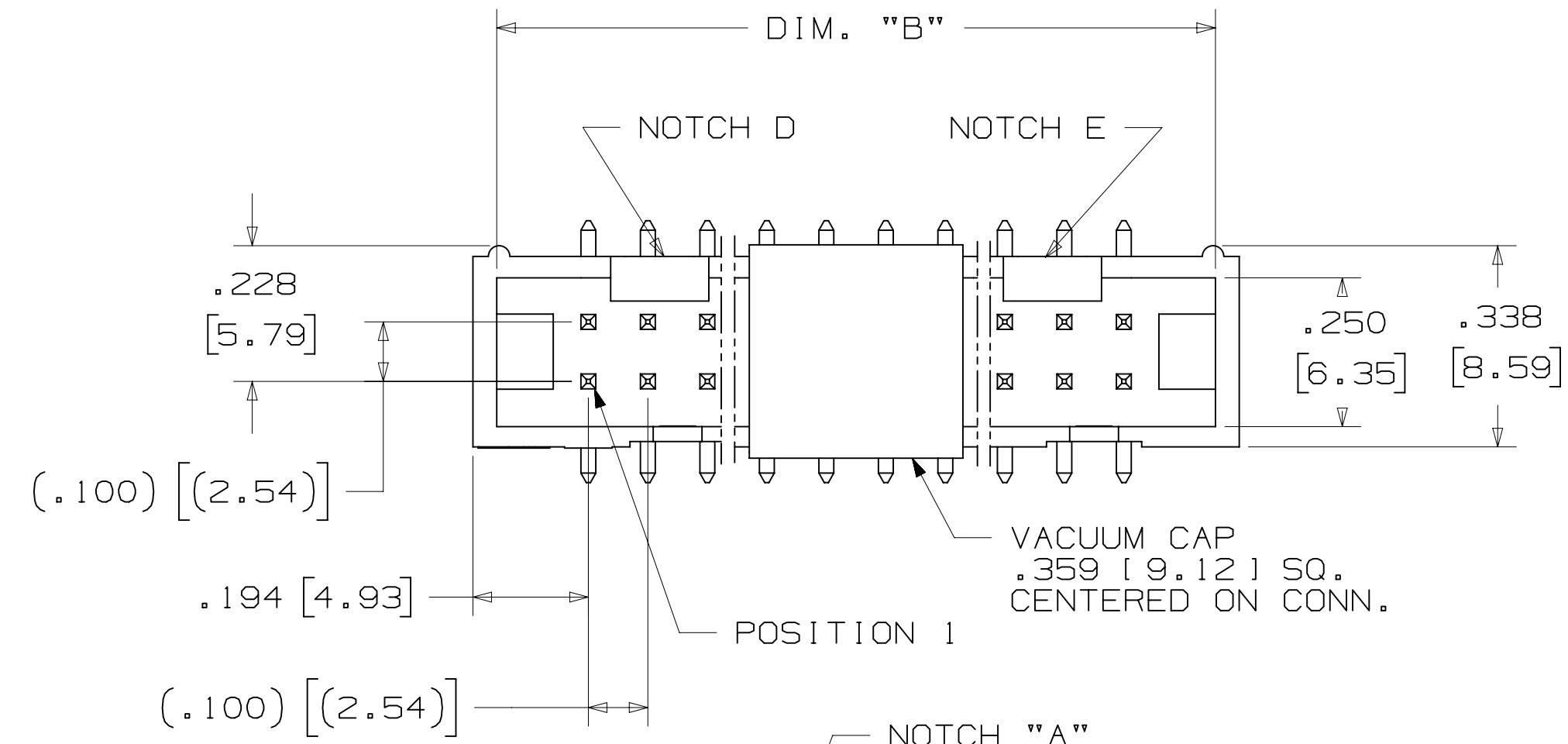
# 3M™ FOUR-WALL HEADER, 2500 SERIES

.100" X .100" LOW PROFILE, SURFACE MOUNT, STRAIGHT AND RIGHT ANGLE THROUGH-HOLE



SECTION C - C

| TABLE 1  |               |               |                    |                        |          |
|----------|---------------|---------------|--------------------|------------------------|----------|
| PIN QTY. | DIM. "A"      | DIM. "B"      | POLARIZING NOTCHES | TAPE AND REEL PKG CODE | PIN QTY. |
| 06       | .588 [14.94]  | .508 [12.90]  | B                  | WD (44 MM)             | 06       |
| 08       | .688 [17.48]  | .608 [15.44]  | B                  | WD (44 MM)             | 08       |
| 10       | .788 [20.02]  | .708 [17.98]  | BC                 | WD (44 MM)             | 10       |
| 14       | .988 [25.10]  | .908 [23.06]  | BCDE               | WD (44 MM)             | 14       |
| 16       | 1.088 [27.64] | 1.008 [25.60] | ABCDE              | WD (44 MM)             | 16       |
| 20       | 1.288 [32.72] | 1.208 [30.68] | ABCDE              | WE (56 MM)             | 20       |
| 24       | 1.488 [37.80] | 1.408 [35.76] | ABCDE              | WE (56 MM)             | 24       |
| 26       | 1.588 [40.34] | 1.508 [38.30] | ABCDE              | WE (56 MM)             | 26       |
| 30       | 1.788 [45.42] | 1.708 [43.38] | ABCDE              | WF (72 MM)             | 30       |
| 34       | 1.988 [50.50] | 1.908 [48.46] | ABCDE              | WF (72 MM)             | 34       |
| 36       | 2.088 [53.04] | 2.008 [51.00] | ABCDE              | WG (88 MM)             | 36       |
| 40       | 2.288 [58.12] | 2.208 [56.08] | ABCDE              | WG (88 MM)             | 40       |
| 50       | 2.788 [70.82] | 2.708 [68.78] | ABCDE              | WG (88 MM)             | 50       |
| 60       | 3.288 [83.52] | 3.208 [81.48] | ABCDE              | WH (120 MM)            | 60       |
| 64       | 3.488 [88.60] | 3.408 [86.56] | ABCDE              | WH (120 MM)            | 64       |



RECOMMENDED PAD LAYOUT

## ORDERING INFORMATION SURFACE MOUNT VERSION

N25XX-6VOC-XX-XX

N = HIGH TEMP BLACK (PCT) (RB PLATING REQ'D)

PIN QUANTITY: (SEE TABLE 1)

PACKAGING OPTIONS:  
WX = TAPE & REEL PACKAGING (SEE TABLE 1)

PLATING:  
RB = 30µ" [0.76µm] AVG. GOLD  
200µ" [5.08µm] MATTE TIN (RIA, E1 & C1 APPLY)

|                                  |               |                        |              |                              |      |      |
|----------------------------------|---------------|------------------------|--------------|------------------------------|------|------|
| DESIGN REFERENCE                 | NEXT ASSEMBLY | REV                    | ECO          | ISSUE DATE AND DESCRIPTION   | DRFT | CHKD |
| 3M Center St. Paul, MN 55144     | EMSD          | CASTIGLIONE            | AUG 11, 2014 | REVISED AND REDRAWN          | JNC  | RS   |
| DIVISION: Interconnect Solutions |               | SCALE: 4/1             |              | TOLERANCES EXCEPT AS NOTED   |      |      |
| DO NOT SCALE DRAWING             |               | THIRD ANGLE PROJECTION |              | MILLIMETERS                  |      |      |
| INTERPRET PER ASME Y14.5 - 2009  |               | MAX SURFACE ROUGHNESS  |              | CAGE NUMBER: D78-5100-0770-7 |      |      |
| MARKED ONLY                      |               | ANGLES                 |              | REV. N                       |      |      |

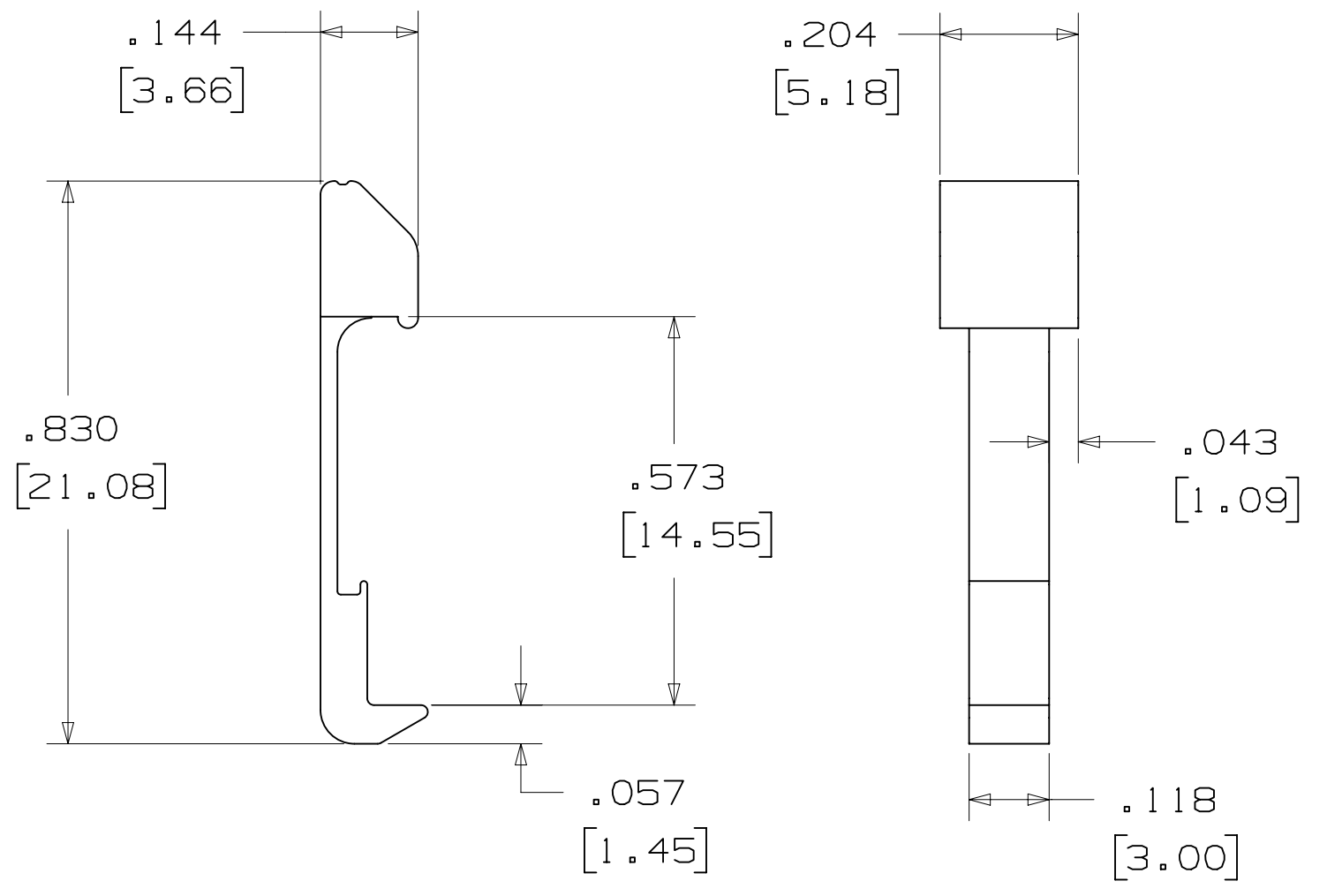
DRAWING NUMBER: 78-5100-0770-7

3M™ FOUR-WALL HEADER, 2500 SERIES  
 .100" X .100" LOW PROFILE, SURFACE MOUNT, STRAIGHT AND RIGHT ANGLE THROUGH-HOLE

PART CUSTOMIZATION

THIS SPEC SHEET DETAILS OUR STANDARD OFFERING.  
 3M HAS SEVERAL CAPABILITIES THAT CAN PROVIDE A PART TAILORED TO YOUR SPECIFIC NEEDS. ASK YOUR 3M SALES REPRESENTATIVE OR CUSTOMER SERVICE FOR MORE DETAILS.  
 \* SELECTIVE PIN REMOVAL (FOR BOARD ASSEMBLY POLARIZATION).  
 \* DIFFERENT PIN LENGTHS.

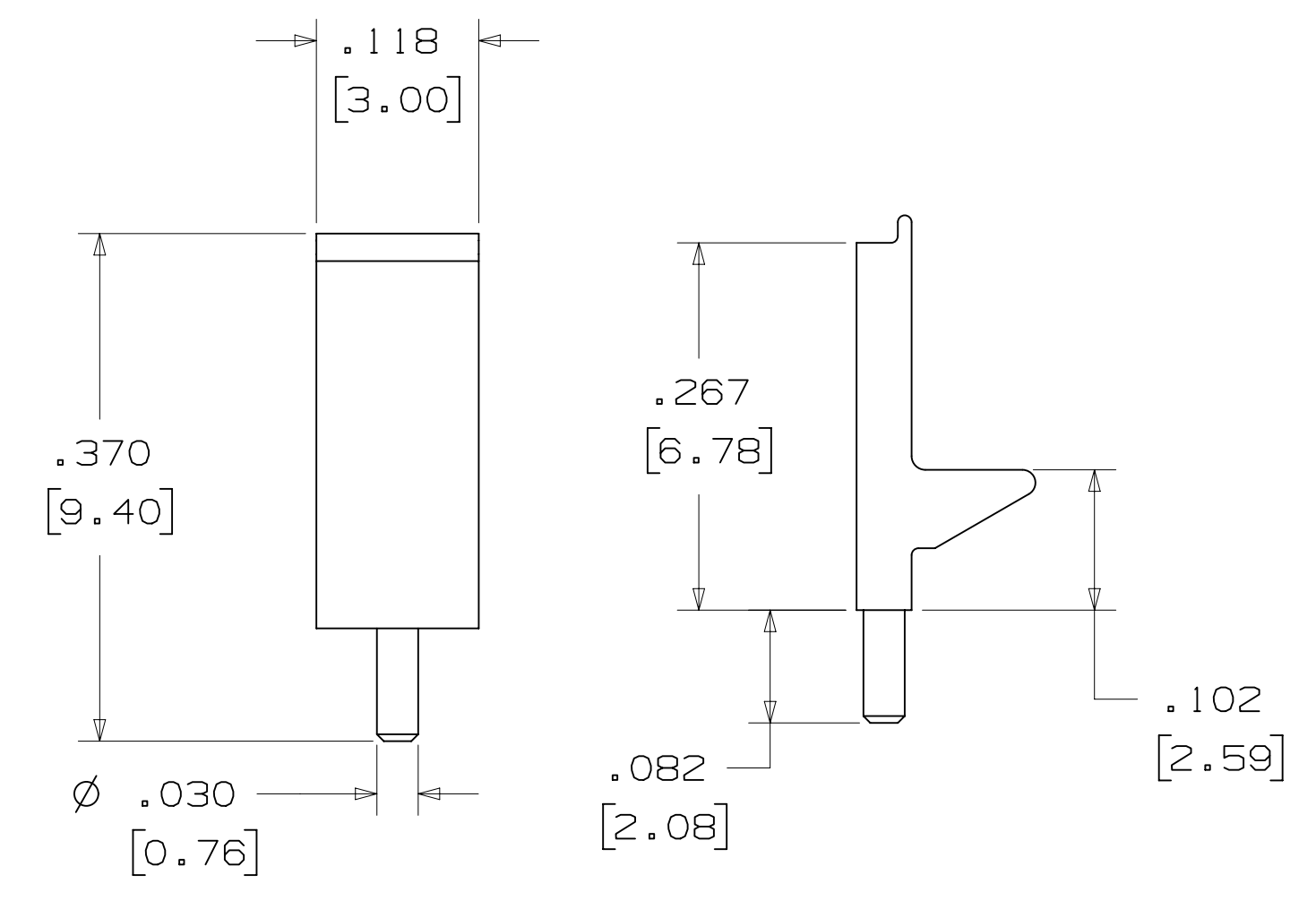
LOW PROFILE LATCH



| PART NO. | MATERIAL | COLOR |
|----------|----------|-------|
| 3505-33B | NYLON    | BLACK |

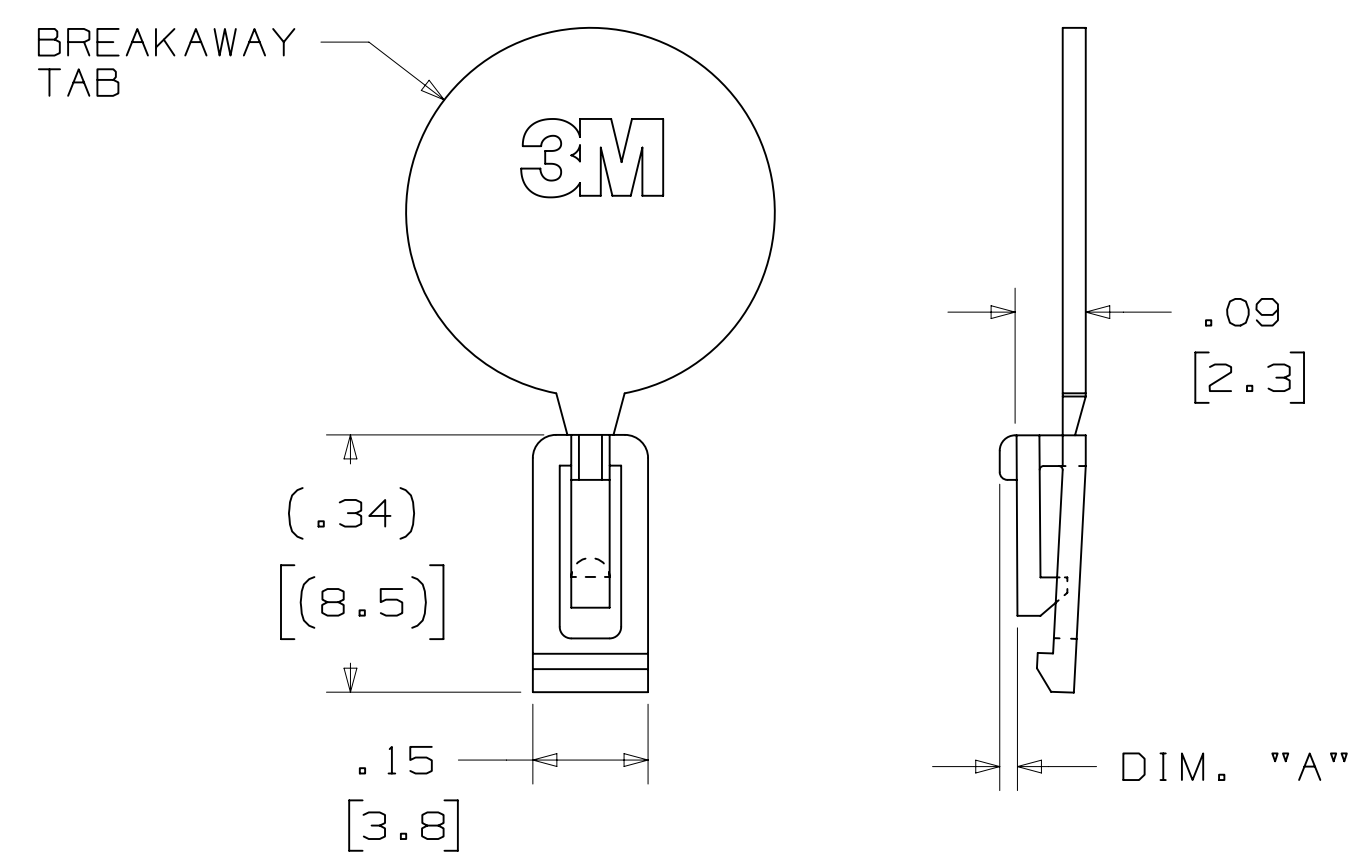
NOTE:  
 LATCHES NOT COMPATIBLE WITH REFLOW SOLDERING.  
 ATTACH LATCHES AFTER SOLDERING.

POLARIZING POST



| PART NO. | MATERIAL | COLOR |
|----------|----------|-------|
| 3201-3   | PCT      | BLACK |

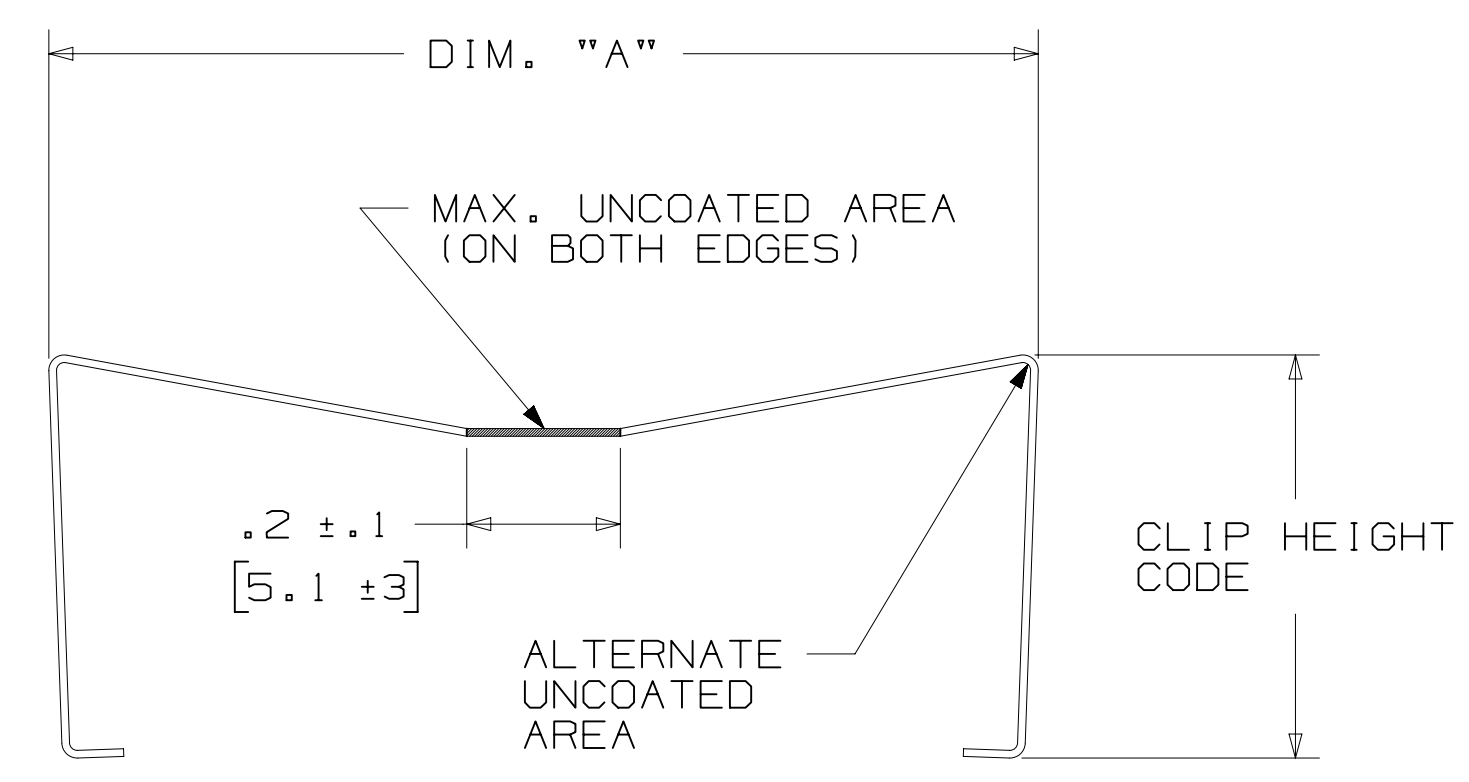
POLARIZING KEY



| 3M PART NO. | MATERIAL | COLOR | DIM. "A" |
|-------------|----------|-------|----------|
| N3518       | LCP      | BLACK | .02      |

NOTE:  
 #2216 B/A SCOTCHWELD CAN BE USED TO ADHERE KEYS.

SHORT/LONG SOCKET RETAINER CLIP



| PIN QTY. | DIM. "A"    |
|----------|-------------|
| 06       | N/A         |
| 08       | N/A         |
| 10       | .81 [20.6]  |
| 14       | 1.02 [25.9] |
| 16       | 1.12 [28.4] |
| 20       | 1.32 [33.5] |
| 24       | 1.52 [38.7] |
| 26       | 1.63 [41.4] |
| 30       | 1.83 [46.4] |
| 34       | 2.03 [51.6] |
| 36       | N/A         |
| 40       | 2.33 [59.2] |
| 50       | 2.83 [71.9] |
| 60       | 3.33 [84.6] |
| 64       | 3.53 [89.7] |

NOTE:  
 STAINLESS STEEL WITH GRAY POLYURETHANE COATING.

3505-8XXX  
 CLIP HEIGHT CODE \_\_\_\_\_ PIN COUNT (SEE TABLE)  
 0 = .31 [7.9] FOR SOCKETS WITHOUT STRAIN RELIEF  
 1 = .53 [13.5] FOR SOCKETS WITH STRAIN RELIEF

NOTE:  
 1) THE FOLLOWING RETAINER CLIPS HAVE BEEN DISCONTINUED:  
 3505-8064  
 3505-8124  
 3505-8150

|                                    |                                 |  |     |   |      |      |
|------------------------------------|---------------------------------|--|-----|---|------|------|
| DESIGN REFERENCE                   | NEXT ASSEMBLY                   | REV  | ECO | ISSUE DATE AND DESCRIPTION  | DRFT | CHKD |
|                                    |                                 |  |     | AUG 11, 2014  |      |      |
| DO NOT SCALE DRAWING               | SCALE 4/1                       | TOLERANCES EXCEPT AS NOTED   |     | INCHES<br>.00 ± .01<br>.000 ± .005<br>.0000 ±<br>MILLIMETERS<br>0 ± .3<br>.00 ± .13<br>.000 ± |      |      |
| THIRD ANGLE PROJECTION             | INTERPRET PER ASME Y14.5 - 2009 | MAX SURFACE ROUGHNESS<br>SURFACES<br><input checked="" type="checkbox"/> MARKED ONLY |     | TITLE<br>HEADER, 4-WALL, LO-PRO, .100 X .100, SMT, STRAIGHT & RA                              |      |      |
| DIVISION<br>Interconnect Solutions |                                 | DIVISION CODE<br>EMSD  |     | CAGE NUMBER<br>D78-5100-0770-7  |      |      |
| DATE<br>AUG 11, 2014               |                                 | DATE<br>SEP 05, 2014   |     | MODEL<br>2500 SERIES  |      |      |

78-5100-0770-7  
 N  
 REVISION  
 11:10 AM UTC-05:00  
 05/16/2016 8:11 AM