



Chipsmall Limited consists of a professional team with an average of over 10 year of expertise in the distribution of electronic components. Based in Hongkong, we have already established firm and mutual-benefit business relationships with customers from,Europe,America and south Asia,supplying obsolete and hard-to-find components to meet their specific needs.

With the principle of "Quality Parts,Customers Priority,Honest Operation,and Considerate Service",our business mainly focus on the distribution of electronic components. Line cards we deal with include Microchip,ALPS,ROHM,Xilinx,Pulse,ON,Everlight and Freescale. Main products comprise IC,Modules,Potentiometer,IC Socket,Relay,Connector.Our parts cover such applications as commercial,industrial, and automotives areas.

We are looking forward to setting up business relationship with you and hope to provide you with the best service and solution. Let us make a better world for our industry!



Contact us

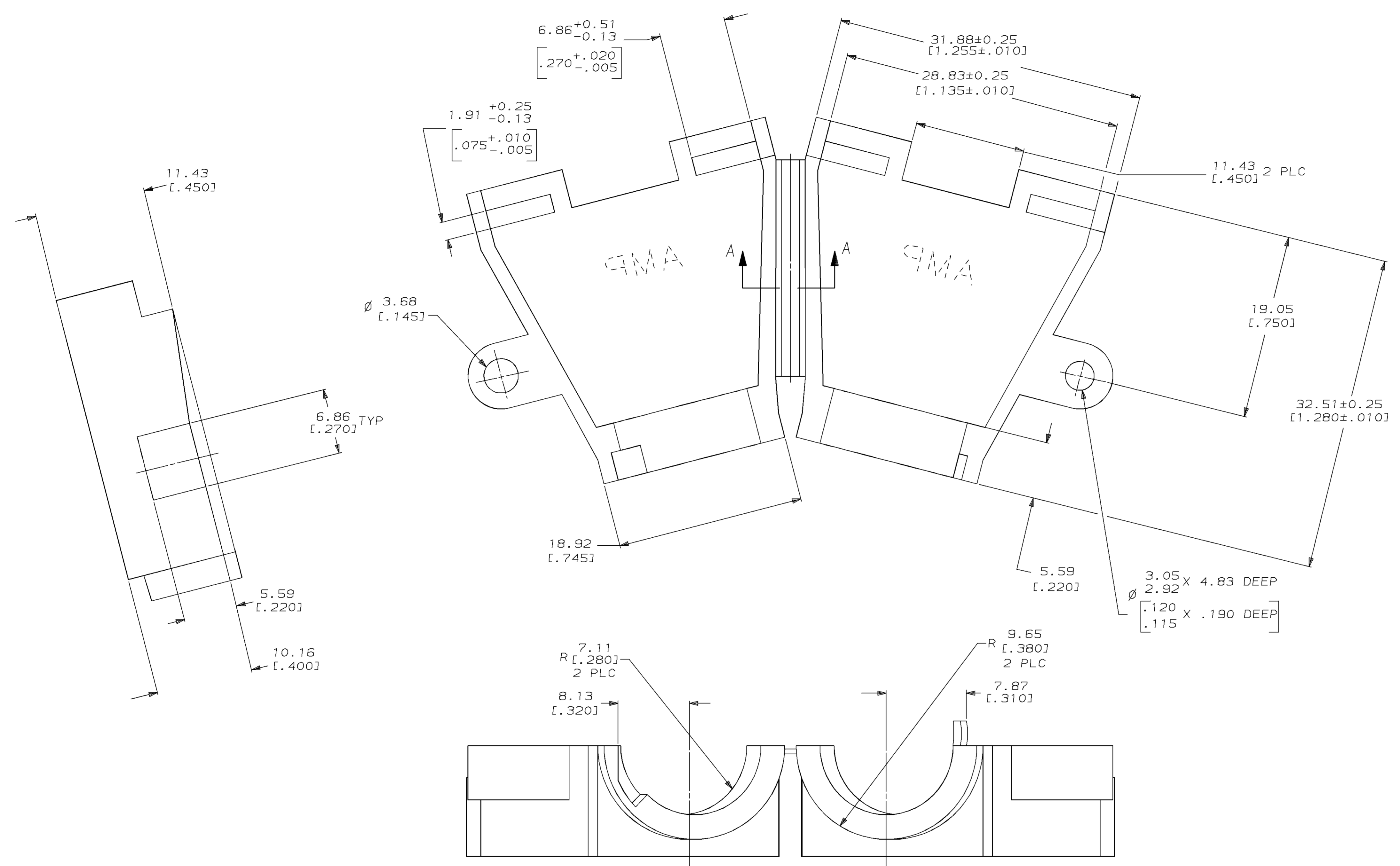
Tel: +86-755-8981 8866 Fax: +86-755-8427 6832

Email & Skype: info@chipsmall.com Web: www.chipsmall.com

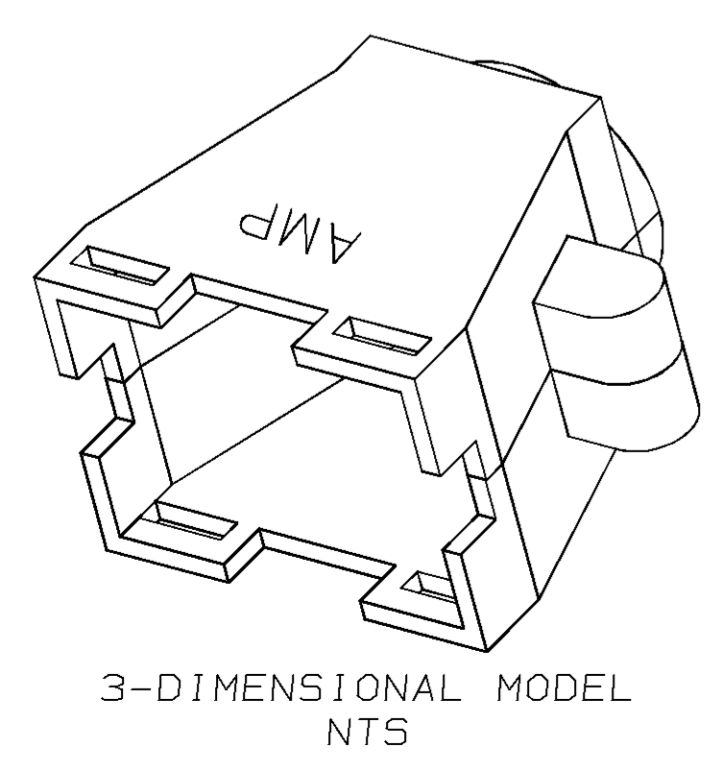
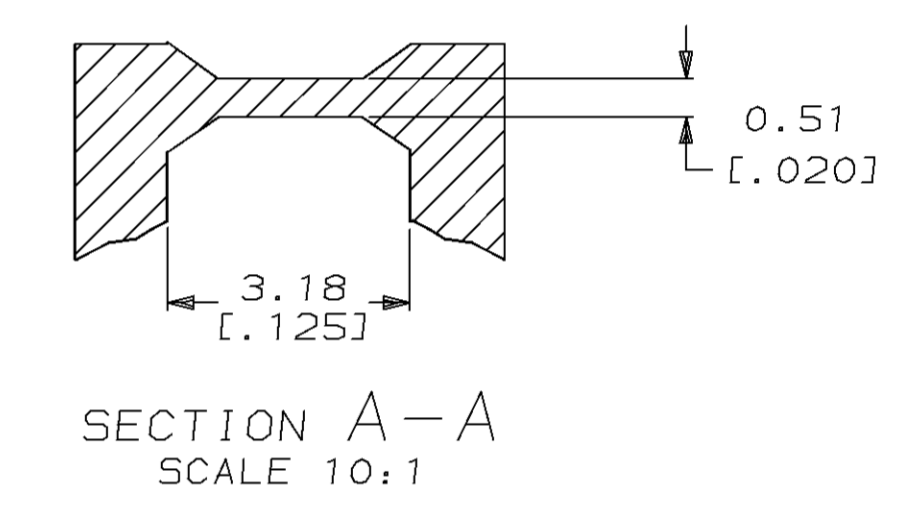
Address: A1208, Overseas Decoration Building, #122 Zhenhua RD., Futian, Shenzhen, China



LOC		DIST		P		F		ZONE		LTR		REVISIONS		DATE	APPD	
CM	52												H	REV & REDWN PER EC 0730-0072-94	9-17-93	KS



1. REQUIRES A #6 PAN HEAD TYPE "B" SELF TAPPING PAN HEAD SCREW, 9.53 [.375] LONG.
2. DIMENSIONS IN BRACKETS ARE IN INCHES.



BLACK	1-350524-9
BRICK RED	350524-1
COLOR	PART NO

DO NOT SCALE PRINT. UNLESS SPECIFIED DIMENSIONS IN mm [INCHES] TOLERANCES: ON + 2 PLC DEC ± 0.13 [.005] 3 PLC DEC ± - ANGLES ± -	DR 9-17-93 K. SALMON	AMP Incorporated Harrisburg, PA 17105-3608
MATERIAL NYLON	CHK 9-17-93 R. SWING	
FINISH COLOR, SEE TABLE	APPD - W. LONG	NAME STRAIN RELIEF, HINGED, 24 POSITION
	APPD - W. LONG	SIZE D 00779
	PRODUCT SPEC -	CAGE CODE C=350524
	APPLICATION SPEC -	DRAWING NO C=350524
	WEIGHT -	SCALE 4:1
		SHEET 1 OF 1



THIS DRAWING IS A CONTROLLED DOCUMENT FOR AMP INCORPORATED. IT IS SUBJECT TO CHANGE AND THE CONTROLLING ENGINEERING ORGANIZATION SHOULD BE CONTACTED FOR THE LATEST REVISION.