



Chipsmall Limited consists of a professional team with an average of over 10 year of expertise in the distribution of electronic components. Based in Hongkong, we have already established firm and mutual-benefit business relationships with customers from,Europe,America and south Asia,supplying obsolete and hard-to-find components to meet their specific needs.

With the principle of “Quality Parts,Customers Priority,Honest Operation,and Considerate Service”,our business mainly focus on the distribution of electronic components. Line cards we deal with include Microchip,ALPS,ROHM,Xilinx,Pulse,ON,Everlight and Freescale. Main products comprise IC,Modules,Potentiometer,IC Socket,Relay,Connector.Our parts cover such applications as commercial,industrial, and automotives areas.

We are looking forward to setting up business relationship with you and hope to provide you with the best service and solution. Let us make a better world for our industry!



## Contact us

Tel: +86-755-8981 8866 Fax: +86-755-8427 6832

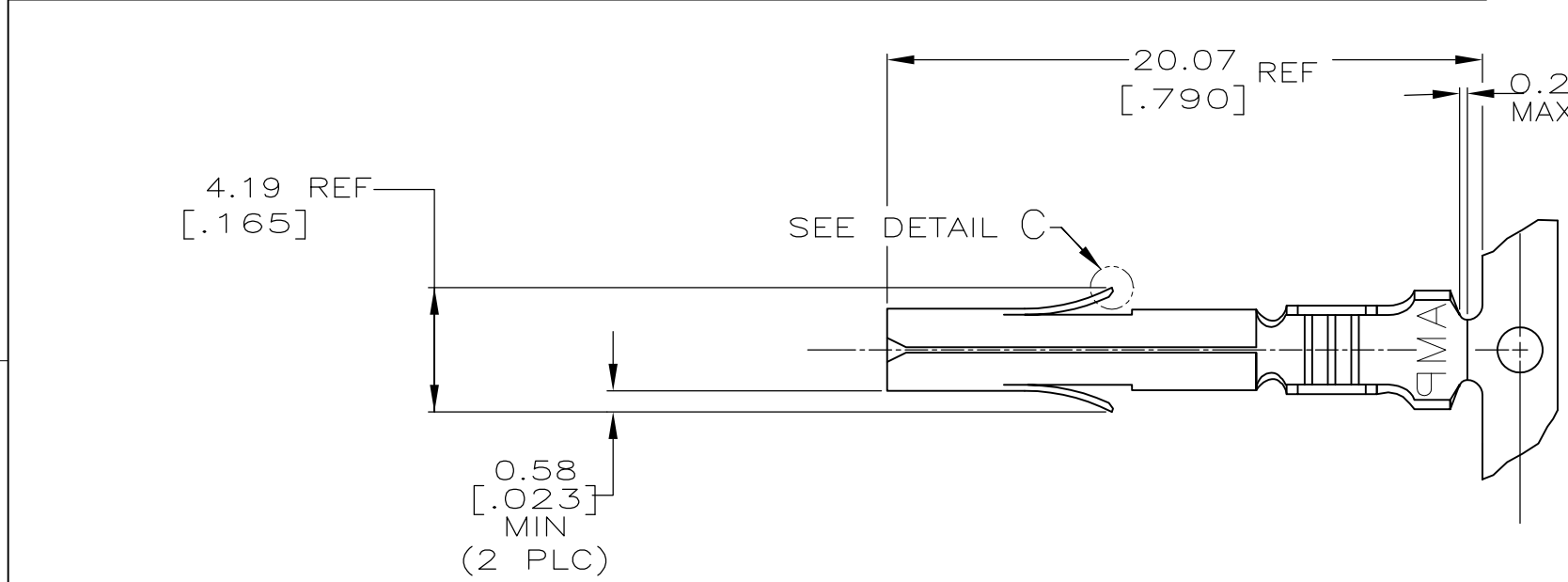
Email & Skype: info@chipsmall.com Web: www.chipsmall.com

Address: A1208, Overseas Decoration Building, #122 Zhenhua RD., Futian, Shenzhen, China

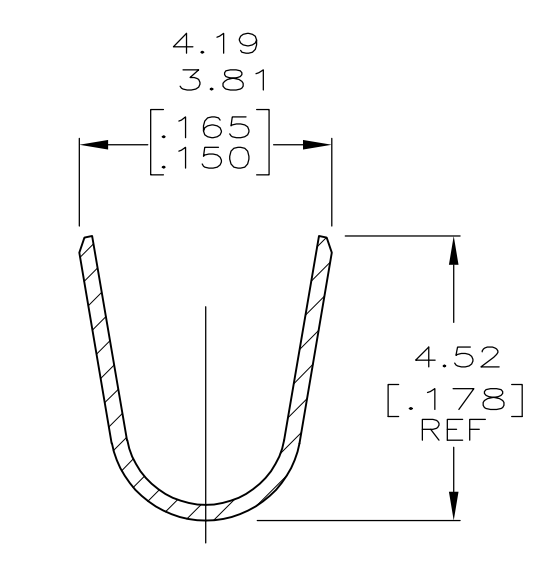
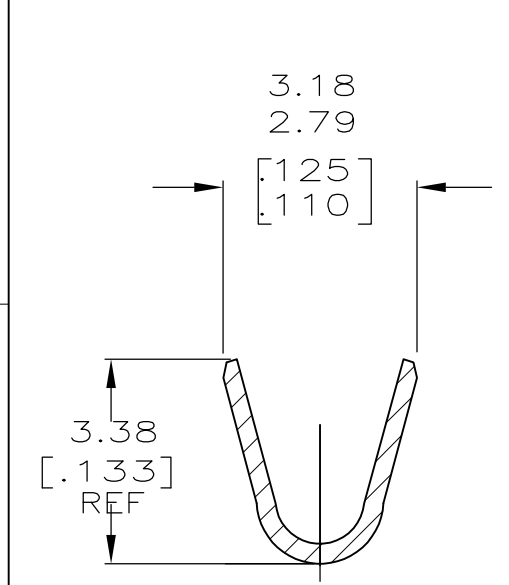
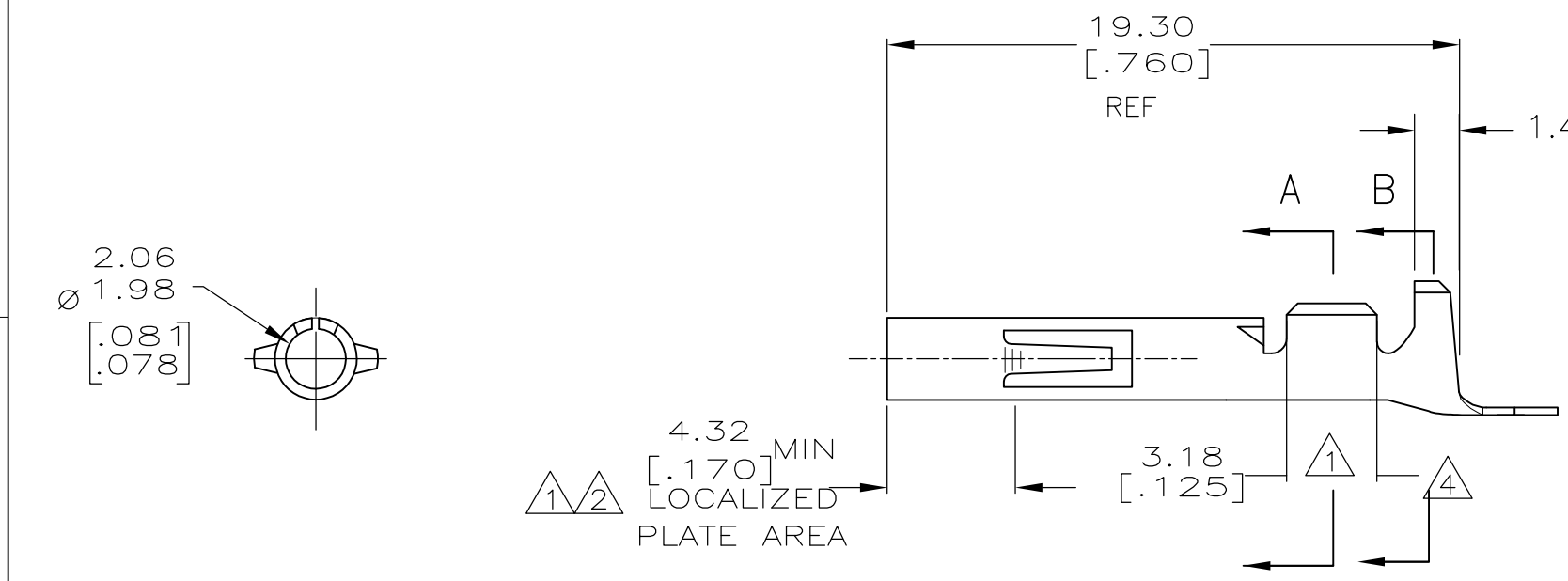


THIS DRAWING IS UNPUBLISHED. RELEASED FOR PUBLICATION  
 © COPYRIGHT - By - ALL RIGHTS RESERVED.

LOC	DIST	REVISIONS					
CM	00	P	LTR	DESCRIPTION	DATE	DWN	APVD
			AD	REVISED PER ECR-12-013323	09AUG12	KH	TM



- 1 0.00076[.000030] THK GOLD OVER NICKEL ON INSIDE OF RECEPTACLE AND WIRE BARREL; REMAINDER OF CONTACT IS NICKEL PLATED.
- 2 0.00076[.000030] THK GOLD ON INSIDE OF RECEPTACLE; REMAINDER OF CONTACT IS NICKEL PLATED.
- 3 DIMENSIONS IN BRACKETS ARE IN INCHES.
- 4 PRELIMINARY, NOT FOR PRODUCTION.
- 5 OBSOLETE PARTS: OBSOLETE CIS STREAMLINING PER D.RENAUD/D.SINISIA
- 6 INSULATION RANGE: 1.52-3.30 [.060-.130] DIA.



5 OBSOLETE	-	-	TIN	0.30 [.012] BE CU	1-350536-0
	-	STANDARD	TIN	0.30 [.012] PH BZ	-350536-9-
	350550-7	MINI	GOLD 2	0.30 [.012] BRASS	350536-7
	350550-6	MINI	GOLD 2	0.30 [.012] PH BZ	350536-6
	350550-3	MINI	TIN	0.30 [.012] PH BZ	350536-3
	350550-2	MINI	GOLD 1	0.30 [.012] BRASS	350536-2
	350550-1	MINI	TIN	0.30 [.012] BRASS	350536-1
	LOOSE PIECE (REF)	APPLICATOR TYPE	FINISH	MATERIAL	PART NUMBER

THIS DRAWING IS A CONTROLLED DOCUMENT.

DWN	K. WHITAKER	07NOV2003	<b>STE</b> TE Connectivity		
CHK	S. RIDGILL	07-NOV-03			
APVD	S. RIDGILL	07-NOV-03			
PRODUCT SPEC	NAME				
APPLICATION SPEC	SOCKET, UNIVERSAL MATE-N-LOK™				
WEIGHT	-	SIZE	CAGE CODE	DRAWING NO	RESTRICTED TO
CUSTOMER DRAWING	-	A3	00779	C-350536	-
SCALE			4:1	SHEET	1 OF 1
REV			AD		